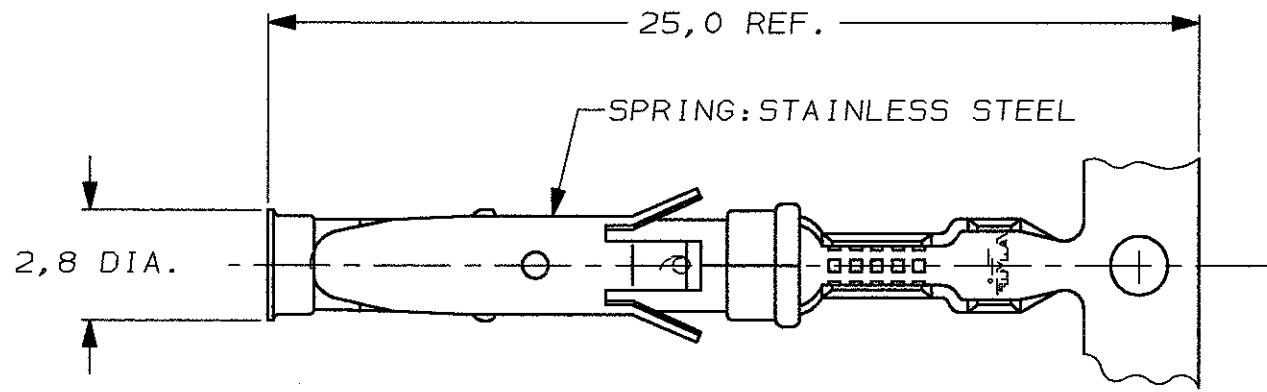
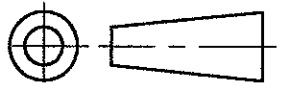


DO NOT SCALE

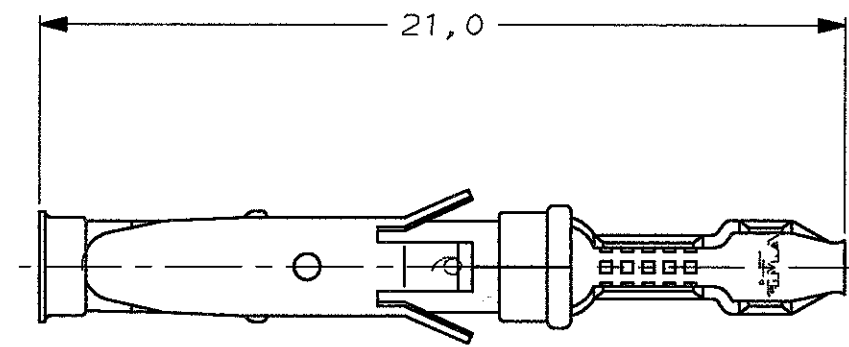
DIMENSIONS IN mm

METRIC

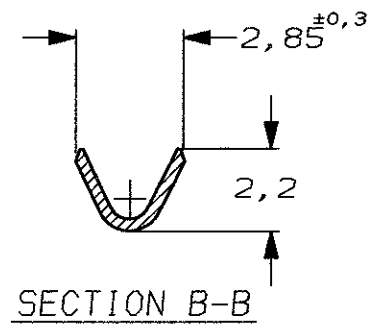
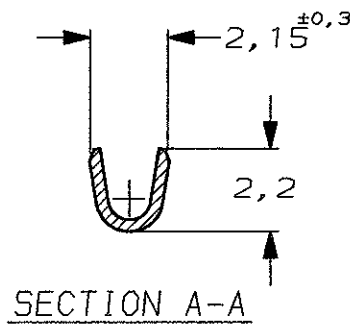
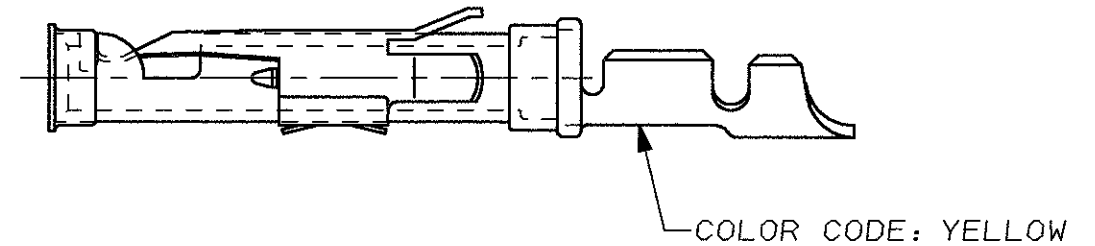
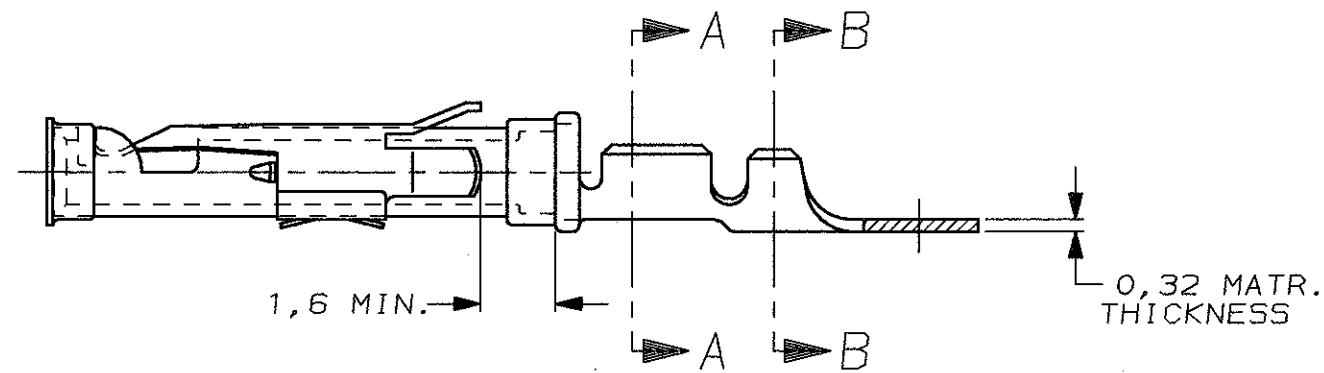
THIRD ANGLE PROJECTION



STRIP



LOOSE-PIECE



WIRE RANGE : 0,20-0,50 mm² (24-20 AWG)
INSUL. RANGE : 1,1 -1,8 mm (.045-.070)

NOTES :

- 1 U.L.RECONIZED UNDER FILE E28476 VOL.VI SEC.I
- 2 FOR CRIMPDETAILS SEE AMP-SPEC. 114-19.000 .
- 3 MEETS PRODUCTSPECIFICATION 108-10042.
- 4 SPECIAL REEL WITH 200 PCS FOR REEL-FED HAND-TOOL
- 5 OBSOLETE PARTS: OBSOLETE CIS STREAMLINING PER D.RENAUD/D.SINISI
- 6 OBSOLETE

NOTES	MATERIAL	THICKNESS	AREA
20	TIN	2,0 μm	ALL OVER
21	NICKEL GOLD TIN/LEAD	0,8 μm	ALL OVER CONTACT AREA BARREL
22	NICKEL GOLD GOLD	0,8 μm	ALL OVER CONTACT AREA ALL OVER
23	NICKEL GOLD GOLD	1,2 μm	ALL OVER CONTACT AREA ALL OVER
24	NICKEL SILVER TIN/LEAD	2,5 μm	ALL OVER CONTACT AREA BARREL
25	SILVER NICKEL	1,5-2,5 μm 0,76 μm	ALL OVER ALL OVER
26	SILVER	2,5 μm	ALL OVER
29	NICKEL BRGHT TIN/LEAD	1,27 μm 1,27 μm	ALL OVER ALL OVER
31	LUBRICATED		

OBSOLETE

OBSOLETE

DIRECTION OFF TOP OF REEL	AMPOMATOR + MINI-APPL.	107-3-F16.1	A
		107-3-F16.2	B
		107-3-F16.4	C

PARTNUMBER	DIRECTION OF REEL	LOOSE-PIECE	MATERIAL	PLATING
1-163087-5	A	6 1-163088-4	BRASS	SILVER
1-163087-4	A	6 1-163088-4	BRASS	EL. TIN
1-163087-3	A	6 1-163088-3	BRASS	BR. TIN/LEAD
5-163087-3	A		BRASS	ECON.GOLD
5-163087-2	A		BRASS	SEL.GOLD
5-163087-1	A		BRASS	EL. TIN
1-163087-2	B	6 1-163088-1	BRASS	GOLD
1-163087-1	A		BRASS	ECON.GOLD
1-163087-0	B	1-163088-0	BRASS	ECON.GOLD
163087-9	A		BRASS	EL. TIN
163087-8	A		BRASS	SEL.GOLD
163087-2	A	163088-2	BRASS	SEL.GOLD
163087-1	A	163088-1	BRASS	EL. TIN

DIRECTION OFF TOP OF REEL

AMPOMATOR + MINI-APPL.
107-3-F16.1

107-3-F16.2

107-3-F16.4

CUSTOMER DRAWING FOR REFERENCE ONLY WILL NOT BE UPDATED

THIS DRAWING IS UNPUBLISHED
RELEASED FOR PUBLICATION _____, 19____

STE TE Connectivity

NAME

SOCKET TYPE III CONTACT
SIZE 16

AD2 REVISED PER ECO-11-005140 RK HMR 3MAY11

LTR. REVISION RECORD DR. CHK. DATE

DR. : - CHK. : - APP. : - DWG.No. 163087 REV.LTR. SHEET AD2 1 OF 1 A3

DATE: - DATE: - DATE: -