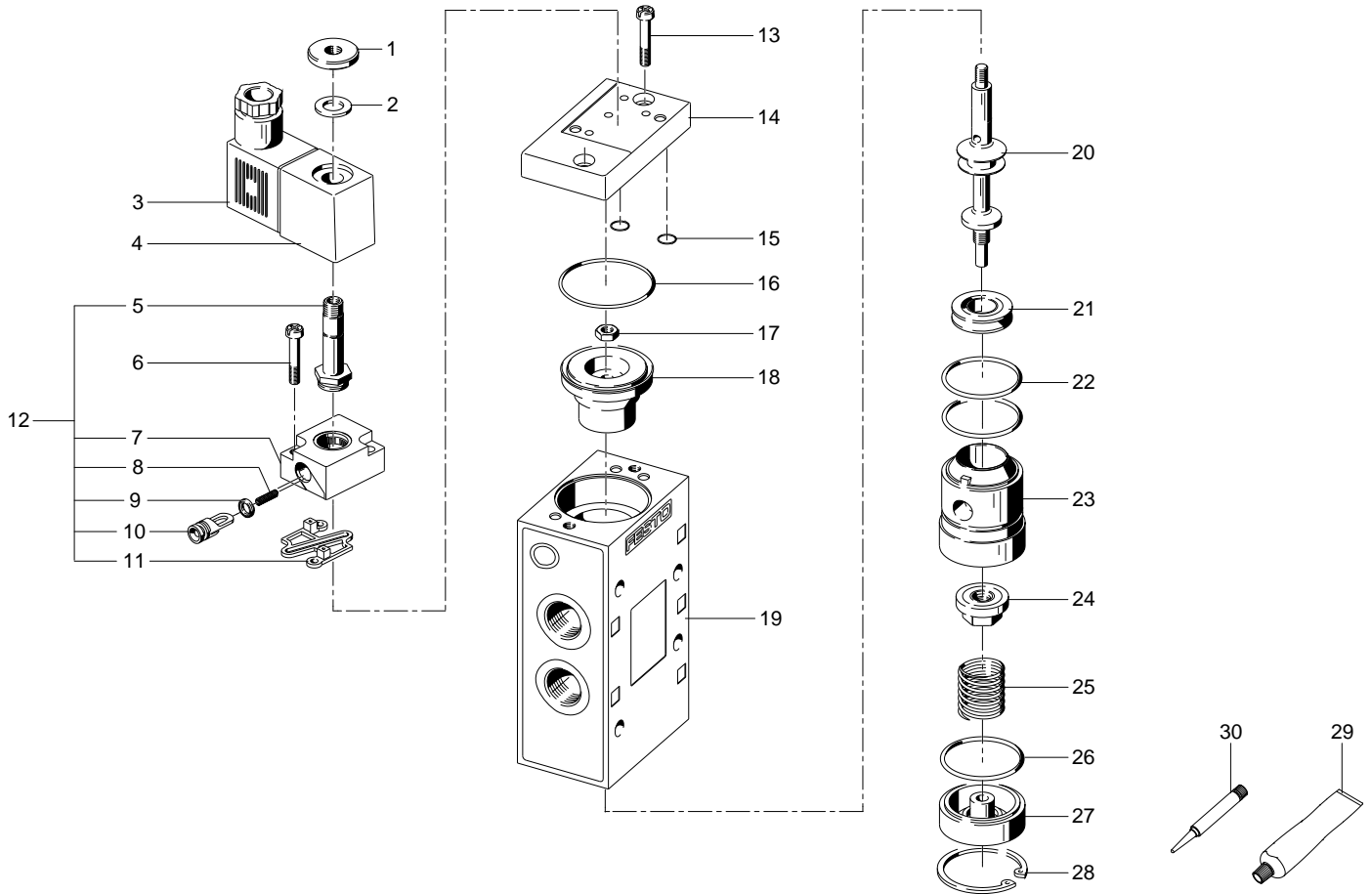


19758 MFH-5-1/8-B Solenoid valve - Series: All



19758 MFH-5-1/8-B Solenoid valve - Series: All

Pos.	Part no.	Type	Note	Qty.	Unit
A	125710	MFH/VL-5-1/8 B Set of wearing parts	Spare parts: 11, 15, 16, 18, 21, 22, 24, 26, 29 Attention, please order position 30 as well	1	PC
1	209407	M 8X0,75 FUER D03 Knurled nut	Tightening torque 1.5 Nm / 1.1 lbf ft	1	PC
2	200589	A 8 DIN 137 Spring washer		1	PC
3	208281	MSSD-F Socket		1	PC
4	4526	MSFG-12 Solenoid coil	Please order this position from the catalogue as an accessory.	1	PC
5	101006	KPL.M.ANKER O.SPULE Armature tube		1	PC
6	8000336	TPD-F-ST-M4X18-10.9 self-tapping screw	Tightening torque 2 Nm / 1.5 lbf ft	2	PC
7		MFH-5-1/8 B Solenoid plate	Not available separately, see position 12 Use locking compound. See position 30	1	PC
8	361716	MDH-3-2,2 Compression spring		1	PC
9		B-3,5X1,2-N-NBR75 O-ring ISO3601	Not available separately, see position 12 Grease using during assembly. See position 29	1	PC
10		MFH Bolt	Not available separately, see position 12	1	PC
11		MVH-3-1,2-24 Seal	Not available separately, see position 12+999 Grease using during assembly. See position 29	1	PC
12	760725	MFH-5-1/8 B ET Solenoid plate		1	PC
13	8000336	TPD-F-ST-M4X18-10.9 self-tapping screw	Tightening torque 2 Nm / 1.5 lbf ft	2	PC
14		MVH-5-1/8-B Cover	Not available	1	PC
15		4X1,5-N-NBR70 O-ring	Not available separately, see position A Grease using during assembly. See position 29	2	PC
16		22X1,3-N-NBR60 O-ring	Not available separately, see position A Grease using during assembly. See position 29	1	PC
17	200715	DIN 934-M4-6AU Hex nut	Tightening torque 0.6 Nm / 0.4 lbf ft Use locking compound. See position 30	1	PC
18		JH-5-1/8 Piston	Not available separately, see position A Grease using during assembly. See position 29	1	PC
19		MVH-5-1/8-B Housing	Not available	1	PC
20	248762	MVH-5-1/8-B Shaft		1	PC
21		3,5X13X4 80AU18938 U-ring	Not available separately, see position A Grease using during assembly. See position 29	1	PC
22		B-15X1,5-N-NBR75 O-ring ISO3601	Not available separately, see position A Grease using during assembly. See position 29	2	PC
23		MVH-5-1/8-B Insert	Not available	1	PC
24		MFH-5-1/8 Sealing disc	Not available separately, see position A Use locking compound. See position 30	1	PC
25	216966	MFH-3-1/8 Compression spring		1	PC
26		B-18X1,5-N-NBR70 O-ring ISO3601	Not available separately, see position A Grease using during assembly. See position 29	1	PC

Pos.	Part no.	Type	Note	Qty.	Unit
27	248760	MVH-5-1/8-B Covering		1	PC
28	204471	DIN 472-22X1 Retaining ring		1	PC
29	397446	LUB-KB2-SILIKONFREI-20ML Lubricating grease		1	PC
30	8181256	CYBERBOND TM44 TB1ML Adhesive bonding agent	Not included in wearing-parts kit	1	PC