

Rocker Switch

Single and Double Pole RR Series



Features

- Lighted and non-lighted versions
- Industry standard cutout
- RoHS Compliant
- Minimum 100,000 operations mechanical life

Standard Parts¹

North America

RRA22H3BBALN RRA22H3BBRLN RRA22H3BBGLN RRA22H3FBRNN RRA22H3BBRHN
RRA32H3BBRLN

North America and Europe

RRA22H3BBBNN RRA32H3FBBNN

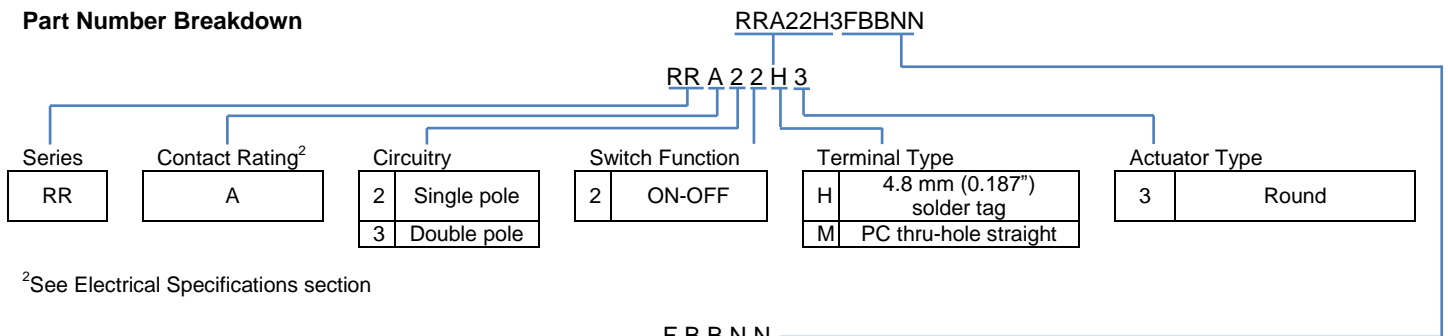
Europe

RRA22H3FBBNN RRA32H3BBRLN RRA32H3BBBNN RRA32H3BBGEN RRA32H3BBREN
RRA32H3BBGLN

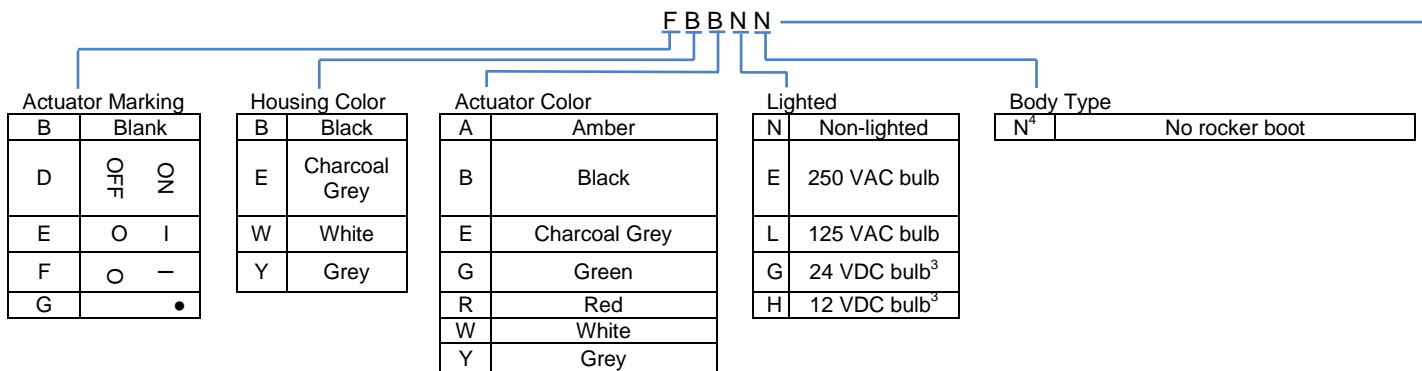
¹The part number configuration matrix below provides details to the part numbers above.

For configurable part numbers that are not listed above, not listed in your region, or for custom part numbers, contact the factory or your distributor.

Part Number Breakdown



²See Electrical Specifications section



³Switches have no agency DC ratings

⁴A splash-proof boot can be ordered separately as part number 00150751



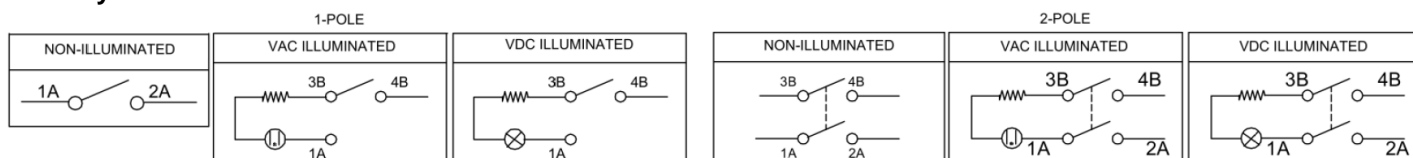
Electrical Specifications

Inrush Rating	24 A		
Dielectric Strength	1000 VAC for 1 minute		
Insulation Resistance	100 MΩ min at 500 VDC		
Initial Contact Resistance	0.020 Ω max		
Switch Function:	EN61058-1:	UL Gen Purpose 1054:	UL HP:
2	10 (4) A 250 V~ T125/55	10 A 125 VAC / 8 A 250 VAC	¼ HP 125 / 250 VAC
Electrical Life at Rated Load	VDE:	UL:	
Minimum Operations	10,000	6,000	
UL File No: E23301			

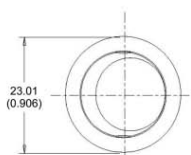
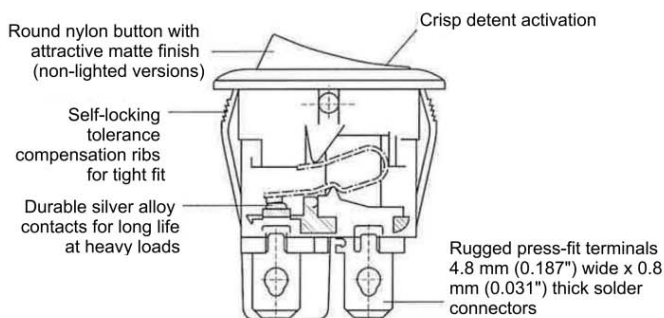
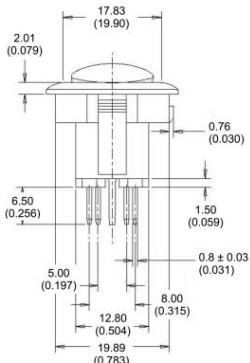
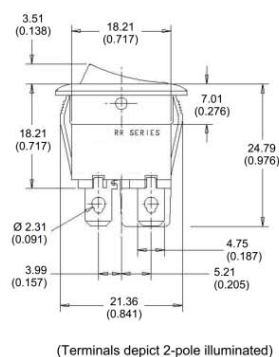
Material and Environmental Specifications

Actuator	Nylon 66 94V-2		
Base	Nylon 66 94V-2		
Spring	Steel Wire		
Contacts	Silver Alloy		
Movable Arm	Copper Alloy		
Terminals	Tin-Plated Copper Alloy		
Operating Temperature Range	-20 °C to +65 °C (-4 °F to +149 °F)		

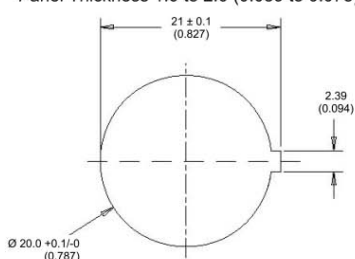
Circuitry and Switch Functions



Dimensions mm (inches)



Recommended Panel Cut-Out Dimensions



NOTE: ALL TOLERANCES ±0.3 (0.012) UNLESS OTHERWISE SPECIFIED