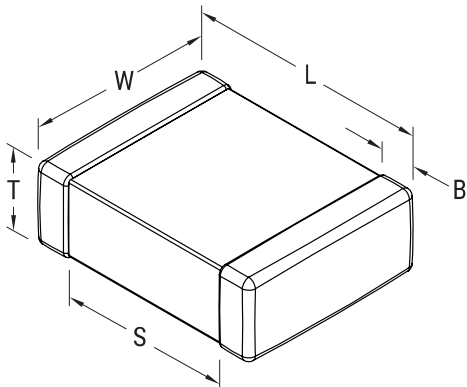


SMD Auto X7R, Ceramic, 0.01 uF, 10%, 50 VDC, X7R, SMD, MLCC, Temperature Stable, Automotive Grade, 0402



| Dimensions |                 |
|------------|-----------------|
| L          | 1mm +/-0.05mm   |
| W          | 0.5mm +/-0.05mm |
| T          | 0.5mm +/-0.05mm |
| S          | 0.3mm MIN       |
| B          | 0.3mm +/-0.1mm  |

| Packaging Specifications |                        |
|--------------------------|------------------------|
| Packaging:               | T&R, 180mm, Paper Tape |
| Packaging Quantity:      | 10000                  |

| General Information |  |
|---------------------|--|
| Supplier:           | KEMET  |
| Series:             | SMD Auto X7R   |
| Style:              | SMD Chip   |
| Description:        | SMD, MLCC, Temperature Stable, Automotive Grade                          |
| Features:           | Temperature Stable, Automotive Grade                                     |
| RoHS:               | Yes  |
| Termination:        | Tin  |
| Marking:            | No   |
| Qualifications:     | AEC-Q200   |
| AEC-Q200:           | Yes  |
| Miscellaneous:      | Note: Referee time for X7R dielectric for this part number is 1000 hours |
| Chip Size:          | 0402   |
| Shelf Life:         | 78 Weeks   |
| MSL:                | 1  |

| Specifications                   |                     |
|----------------------------------|---------------------|
| Capacitance:                     | 0.01 uF             |
| Capacitance Tolerance:           | 10%                 |
| Voltage DC:                      | 50 VDC              |
| Dielectric Withstanding Voltage: | 125 VDC             |
| Temperature Range:               | -55/+125°C          |
| Temperature Coefficient:         | X7R                 |
| Dissipation Factor:              | 2.50% 1kHz 25C      |
| Aging Rate:                      | 3% Loss/Decade Hour |
| Insulation Resistance:           | 100 GOhms           |