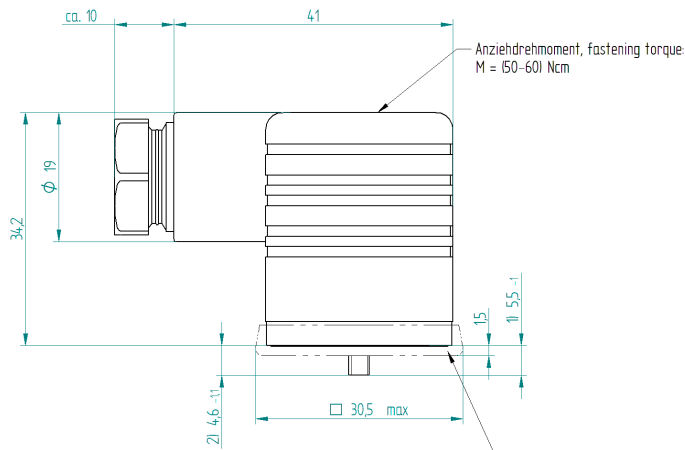
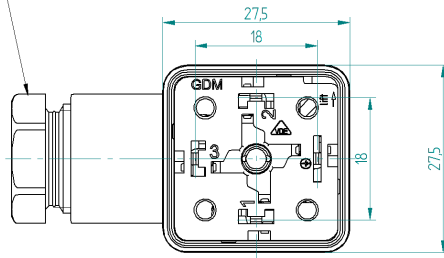




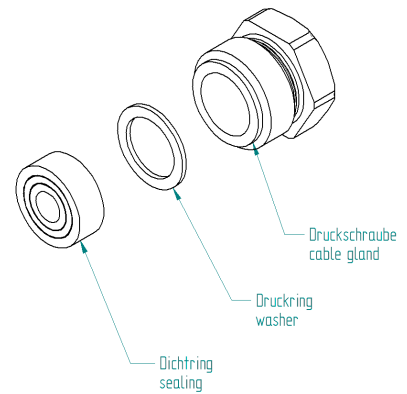
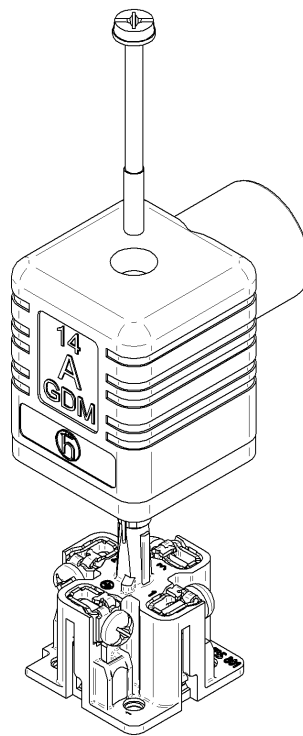
Verschraubung cable gland M16x15
Anziehdrehmoment, fastening torque:
M = 150 - 250 Ncm



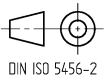
Anziehdrehmoment, fastening torque:
M = 150 - 601 Ncm

Dichtung ist gesondert zu bestellen
Gasket to order separate

- 1) Im montierten Zustand Dichtlippe gepresst
when mounted, sealing lip pressed
- 2) Im Lieferzustand Dichtlippe nicht gepresst
before mounted, sealing lip unaffected



The information/details in this datasheet merely contain general descriptions or performance factors which, when applied in an actual situation, do not always correspond with the described form, and may be amended by way of the further development of products. The desired performance factors shall only be binding if these are expressly agreed on conclusion of the contract.



Product description

Description	Cable socket angled
Type	GDM 3016 ..., see standard products
Order No	934-395-..., see standard products
Type of contacts	female
Number of contacts	3+PE
Cable gland	M16x1,5
Conductor size	max. 1,5 mm ²
Standard	DIN EN 175301-803-A
Construction type	A
Color housing	see standard products
Color contact bearer	black

Technical data

Clearance / Creepage distance	DIN EN 60664-1 (2008/01); VDE 0110-1
Rated voltage	250 V AC/DC
Rated current *	16 A
Rated impulse voltage	4,0 kV
Pollution degree	3 acc. to DIN EN 60664-1 (VDE 0110-1)
Type of connection	screw terminal
Mating cycles	max. 50
Suitable cables	Ø4,5 mm to Ø10 mm
Mounting	Central screw M 3

* Notice derating

Materials

Contact	CuZn
Contact plating	Cu/Sn
Contact bearer	PA 6 GF
Housing	PA 6 GF
Cable gland screw	PA 6 GF
Central screw	4.8 , Fe/Zn B
Cable-gland gasket	NBR

Environmental conditions

Protection class (IEC 60529) *	IP65 *
Temperature range (connector)	-40°C to +125°C, notice derating
Temperature range (gasket)	see accessories

* only if mounted and locked in combination with Hirschmann / Lumberg connector.

Flammability class

Contact bearer	UL 94 HB
Housing	UL 94 HB
Cable gland screw	UL 94 HB

Approvals

VDE	VDE-Reg.-Nr.: 1978
-----	--------------------

Accessories

Accessories to order separately

Gasket:

730-801-002, NBR, Temp. range: -30°C to +90°C, flat gasket GDM 3-7, brown

731-739-004, EPDM, Temp. range: -40°C to +125°C, flat gasket GDM 3-21, brown

731-740-002, MPQ, Temp. range: -40°C to +125°C, flat gasket GDM 3-17, red

731-531-002, NBR, Temp. range: -30°C to +90°C, profiled gasket GDM 3-16, black

731-532-002, VMQ, Temp. range: -40°C to +125°C, profiled gasket GDM 3-19, red

central screw:

732-488-002, knurled head (grey)

734-363-001, stainless steel screw

Additional technical data

Fastening torque (central screw)

M 3: (50-60) Ncm

Fastening torque (cable gland)

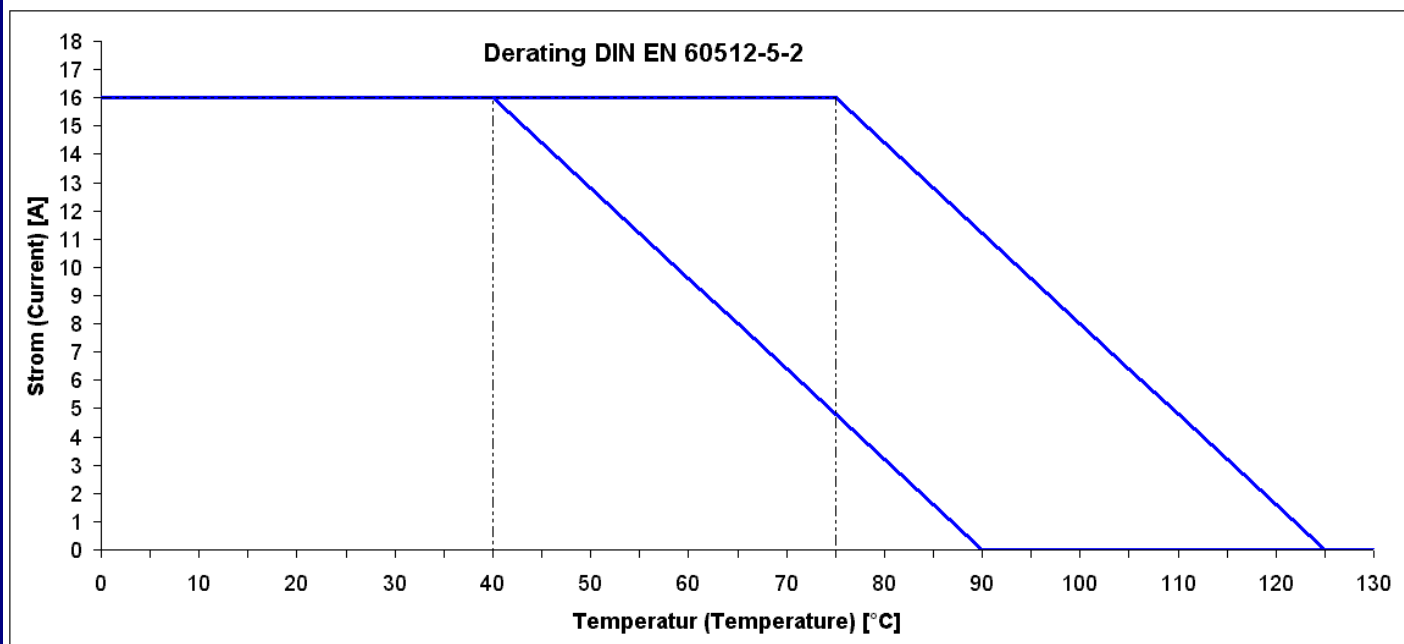
M 16x1,5: (250-375) Ncm

Fastening torque (contact screw)

M 3: (40-50) Ncm

Notes

Do not connect or disconnect under load.



product overview

Article-No.	Type	Color housing
934-395-100	GDM 3016 schwarz	schwarz / black
934-395-106	GDM 3016 grau	grau / grey