

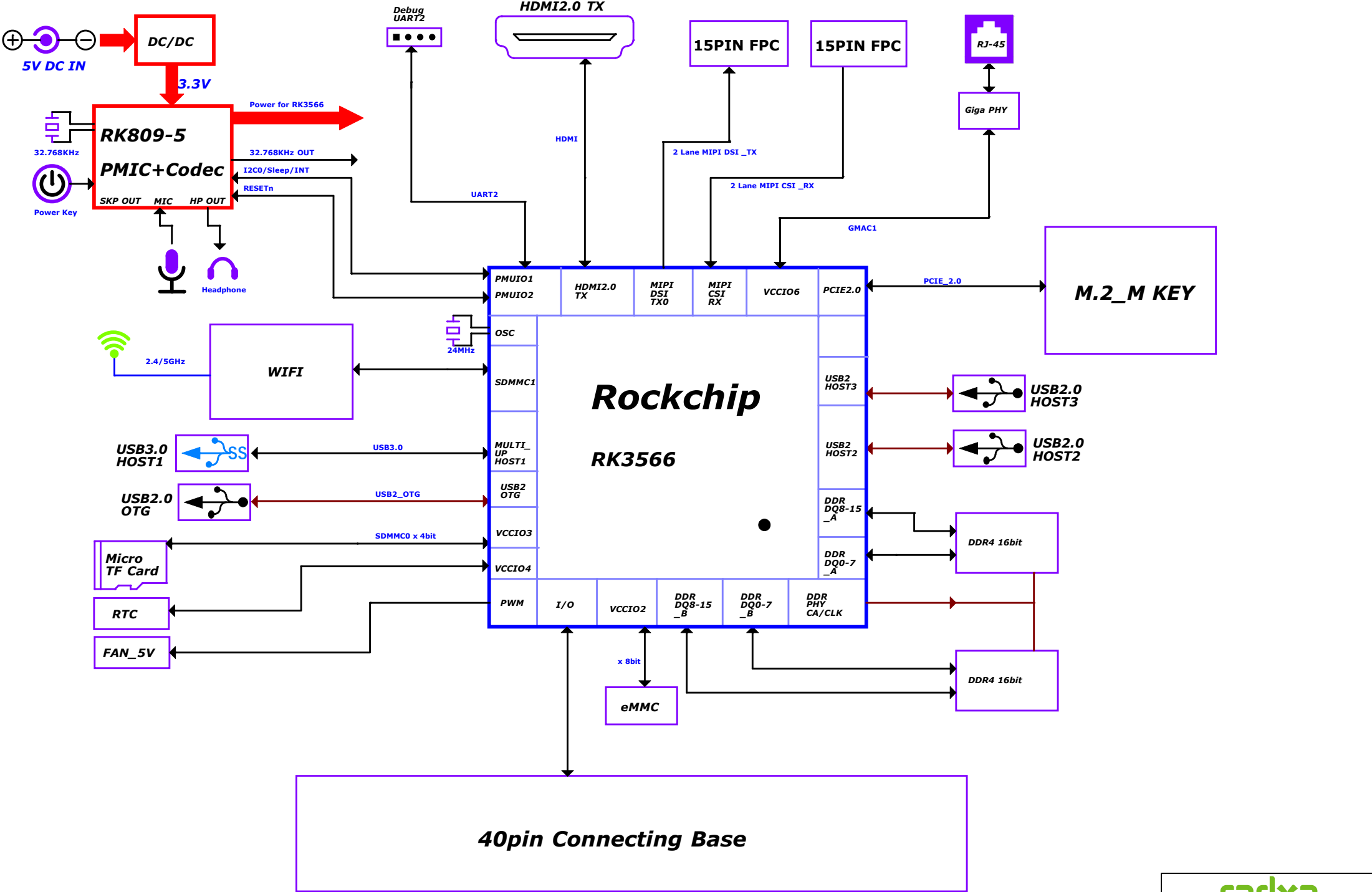
Table of Content

- 01.cover
- 02.Index
- 03.Block Diagram
- 04.RK3566_Power/GND
- 05.RK3566_DDR PHY
- 06.RK3566_Flash/SD
- 07.RK3566_VI Interface
- 08.RK3566_VO Interface_1
- 09.RK3566_VO Interface_2
- 10.RK3566_Audio Interface
- 11.RK3566_SARADC/GPIO
- 12.RK3566_USB/PCIe/SATA PHY
- 13.RK3566_OSC/PLL/PMUIO
- 14.LED/RTC/FAN
- 15.USB Port
- 16.LPDDR4X_1X32bit
- 17.SPI Flash/eMMC
- 18.MicroSD Card
- 19.MIPI-CSI
- 20.HDMI2.0 TX
- 21.MIPI-DSI
- 22.WIFI/BT-SDIO
- 23.AUDIO OUT
- 24.CONNECTOR
- 25.PCIE-M2
- 26.RGMII
- 27.Power_other
- 28.Power_PMIC
- 29.Power_DC IN

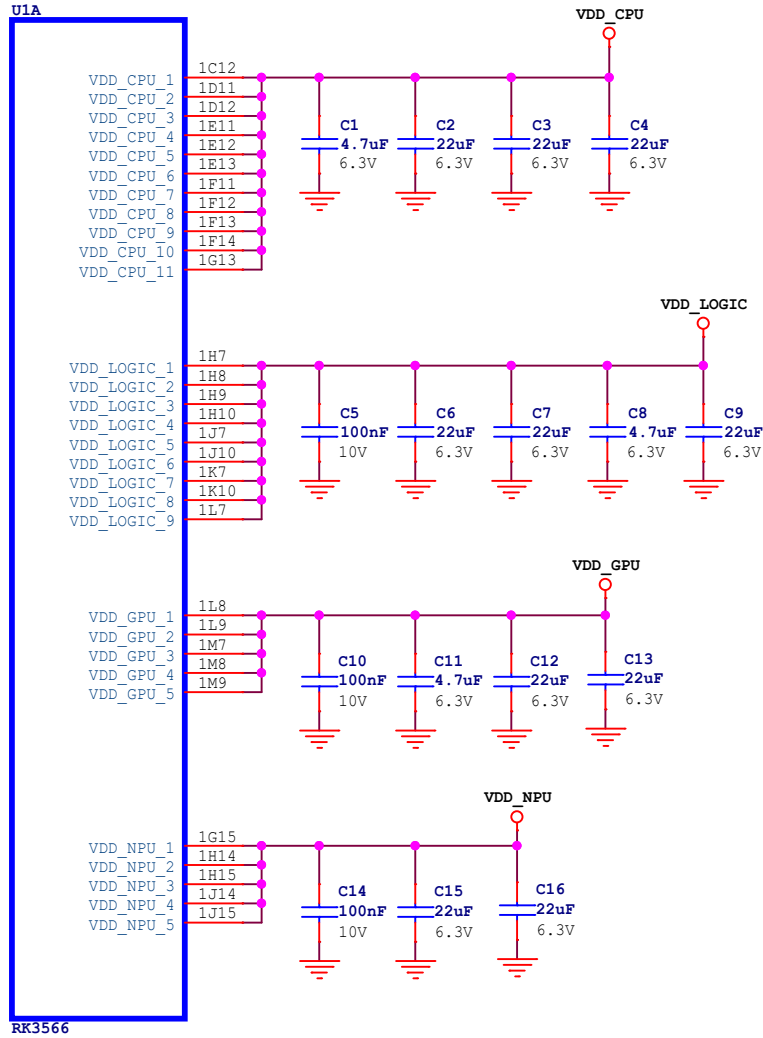


Size	Title: ROCK 3C	REV
A4	Page Name: Index	1.33
Date: Friday, December 16, 2022	Sheet 02 of 29	

ROCK 3C Ref Block Diagram



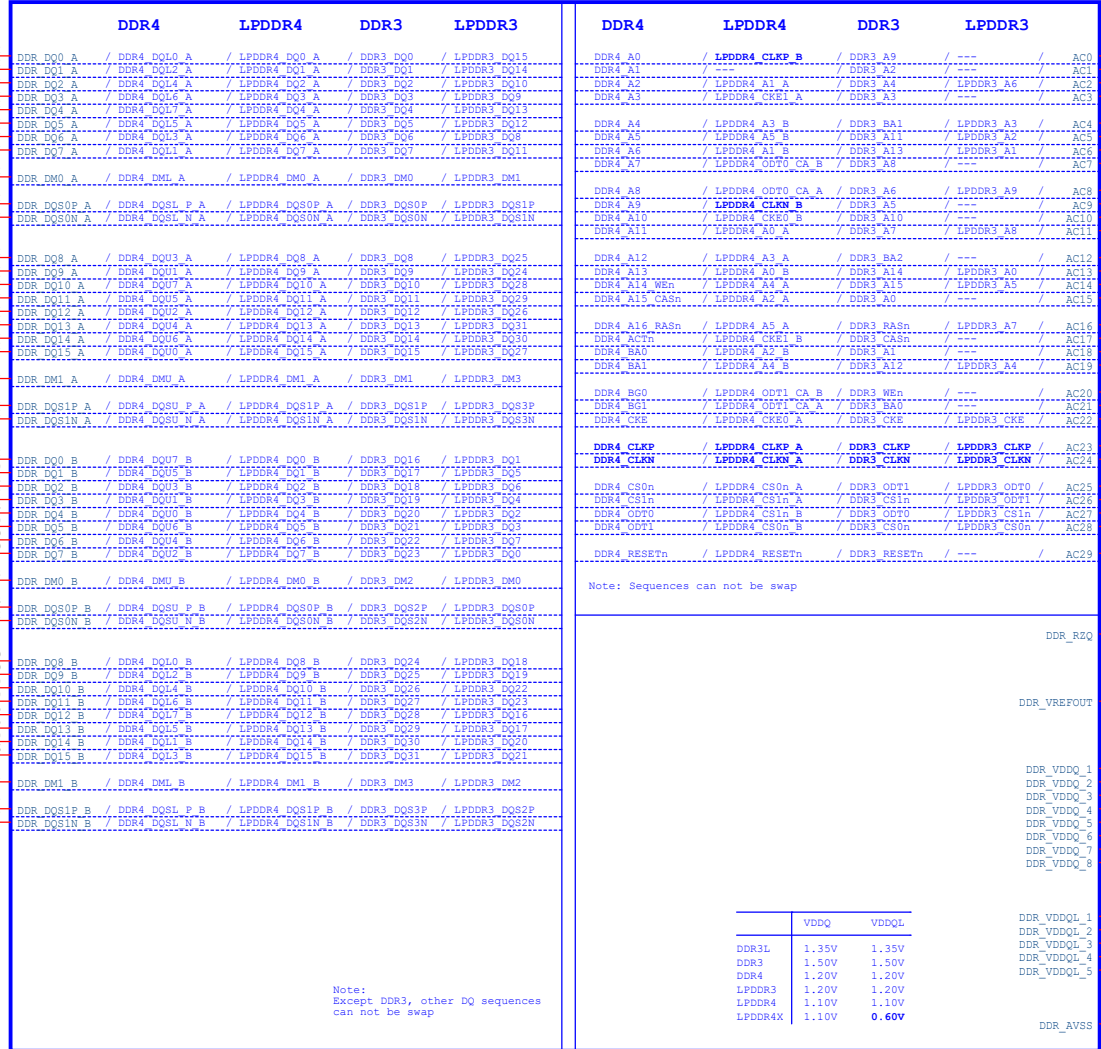
RK3566_ABCDE (Power&GND)



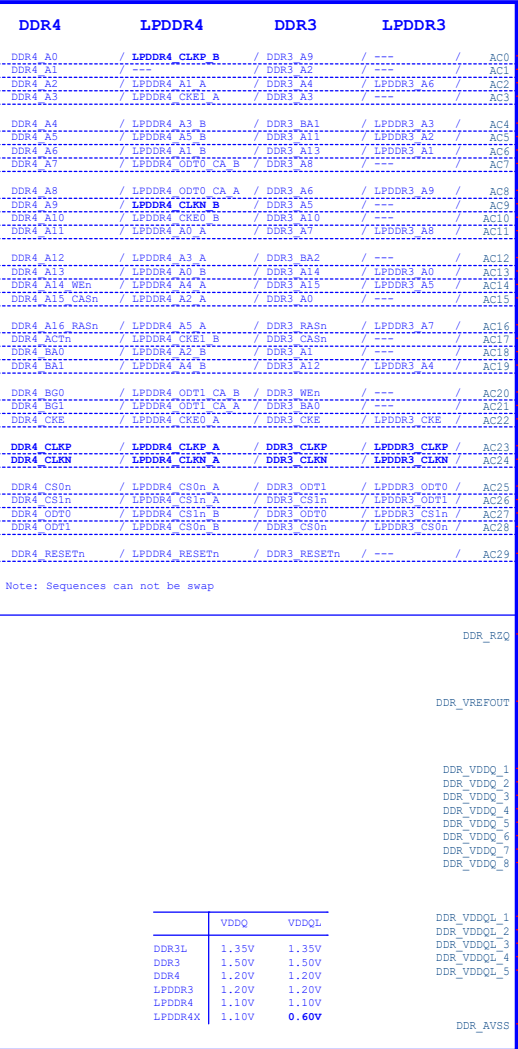
Size	Title: ROCK 3C	REV
A4	Page Name: RK3566_Power/GND	1.33
Date: Friday, December 16, 2022	Sheet 04 of 29	

RK3566_F (DDR PHY)

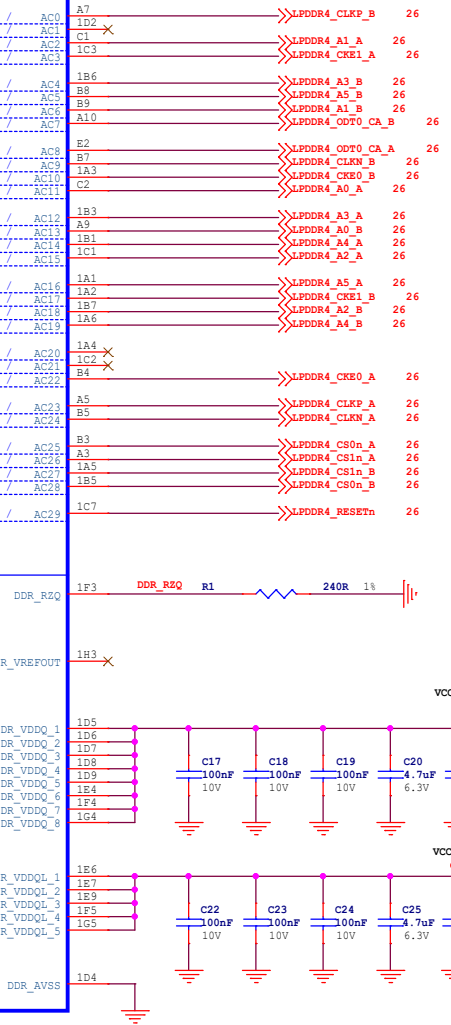
UIF



Note:
Except DDR3, other DQ sequences
can not be swap



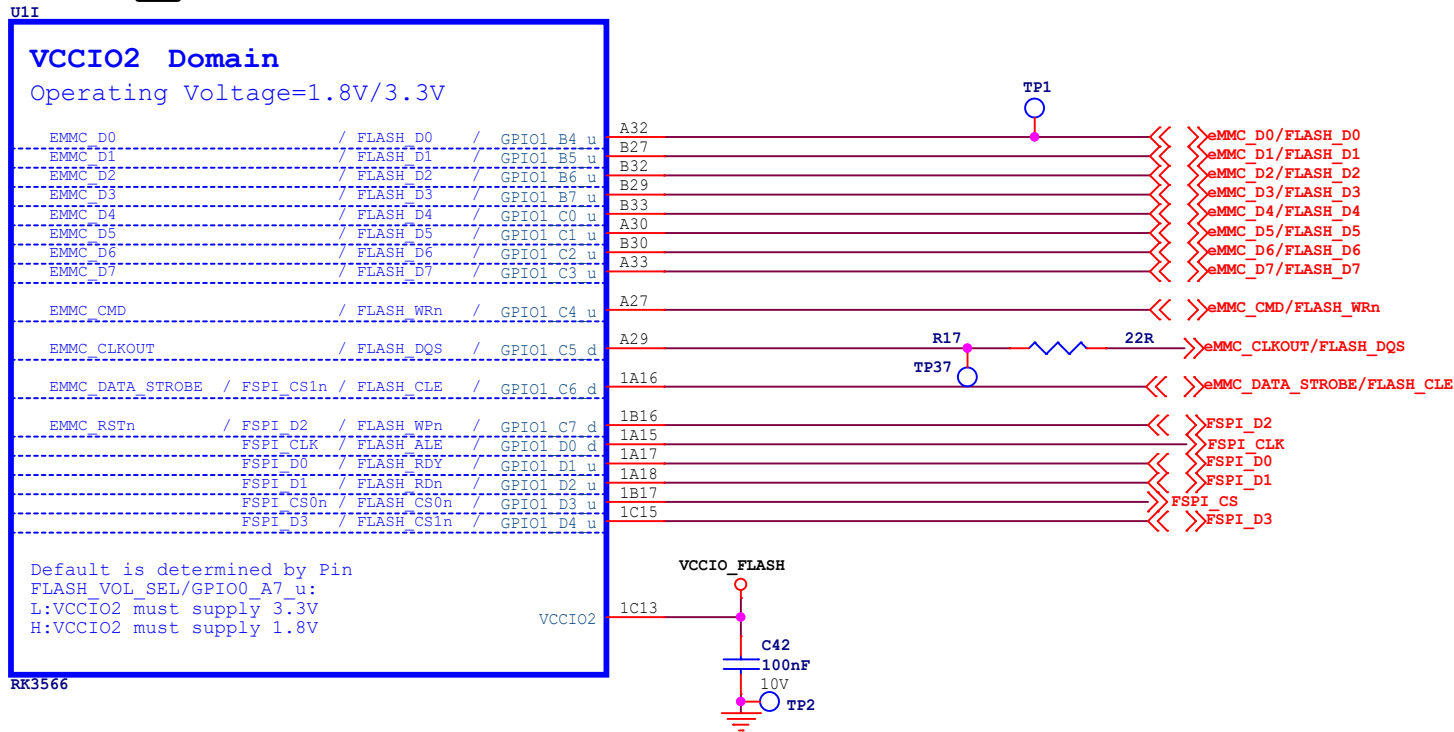
Note: Sequences can not be swap



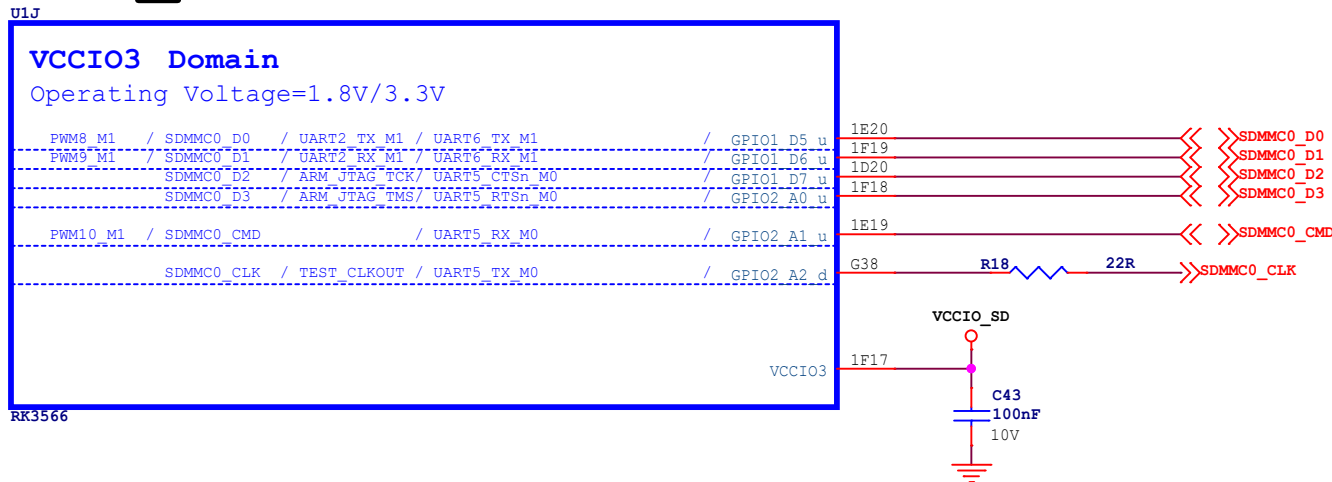
	VDDQ	VDDQL
DDR3L	1.35V	1.35V
DDR3	1.50V	1.50V
DDR4	1.20V	1.20V
LPDDR3	1.20V	1.20V
LPDDR4	1.10V	1.10V
LPDDR4X	1.10V	0.60V



RK3566_I (VCCIO2 Domain)

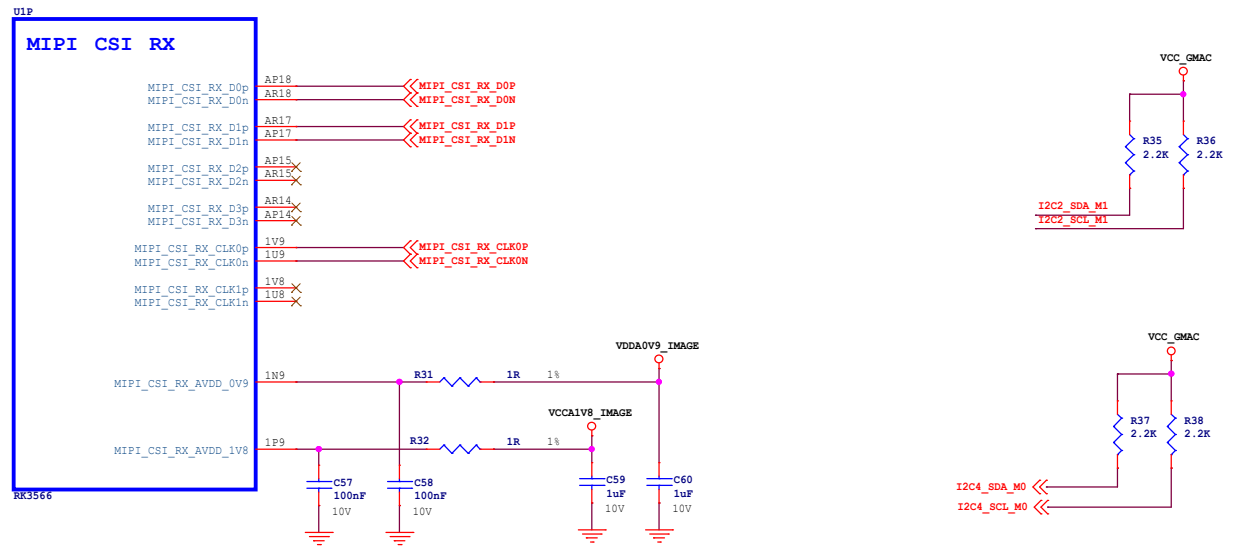


RK3566_J (VCCIO3 Domain)

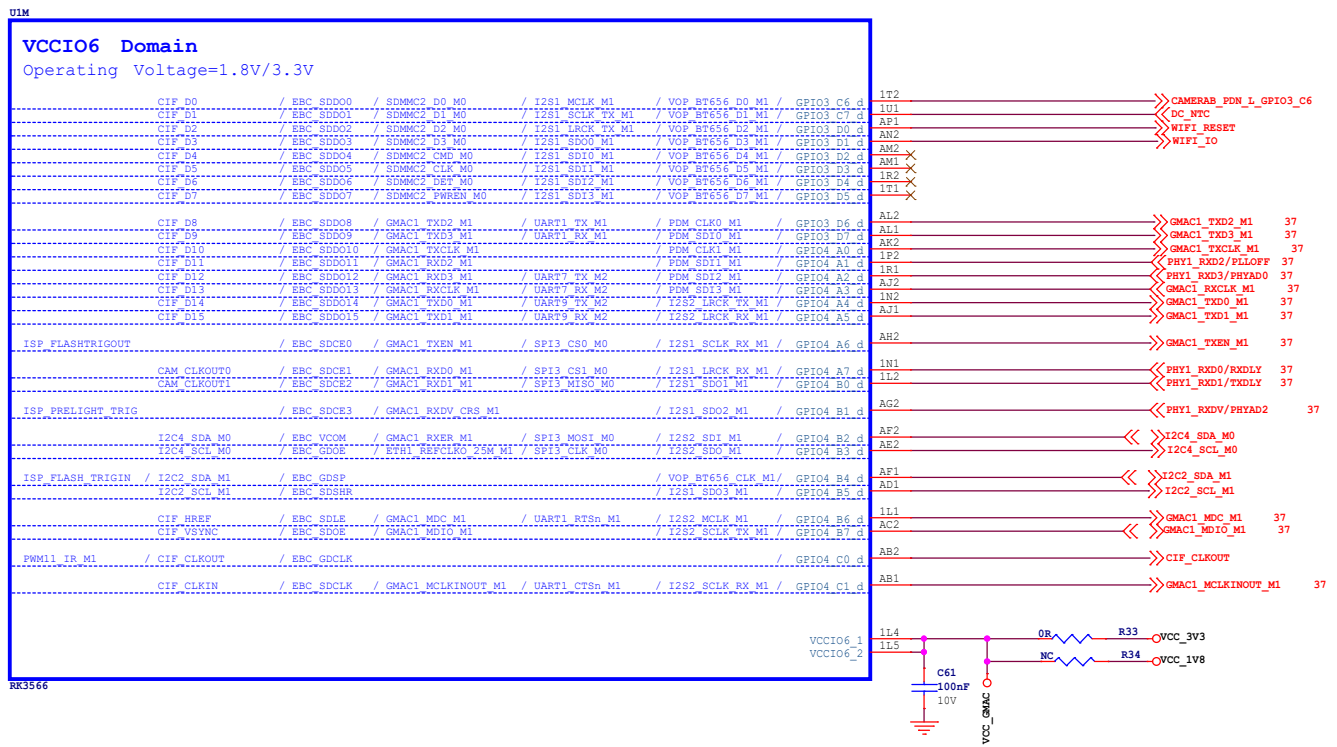


Size	Title:	ROCK 3C	REV
A4	Page Name:	RK3566_Flash/SD	1.33
Date:	Friday, December 16, 2022	Sheet	06 of 29

RK3566_P (MIPI_CSI_RX)

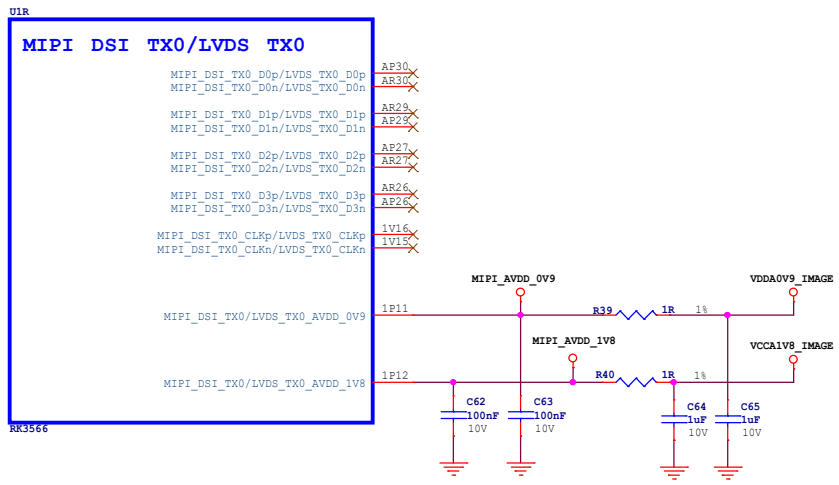


RK3566_M (VCCIO6 Domain)

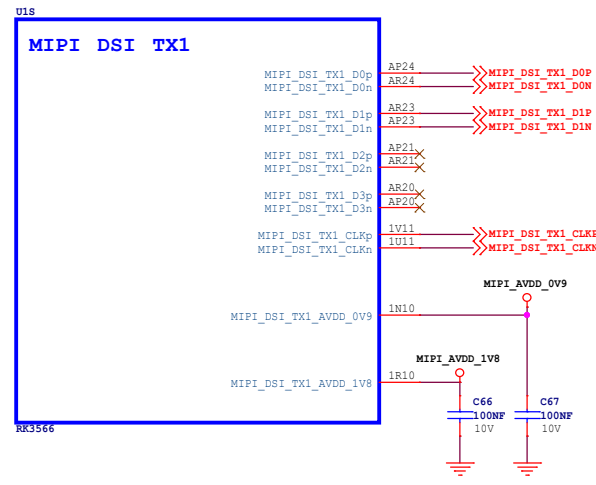


Size	Title:	ROCK 3C	REV
A3	Page Name:	RK3566_VI Interface	1.33
Date: Friday, December 16, 2022			
Sheet 07 of 29			

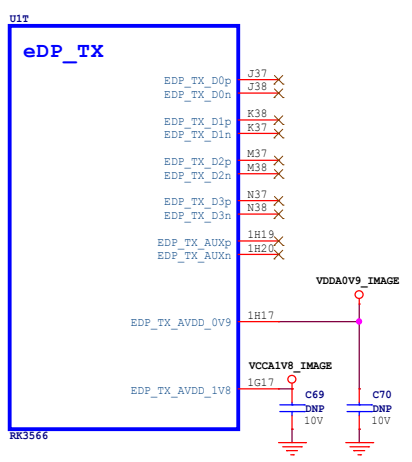
RK3566_R (MIPI_DSI_TX0/LVDS_TX0)



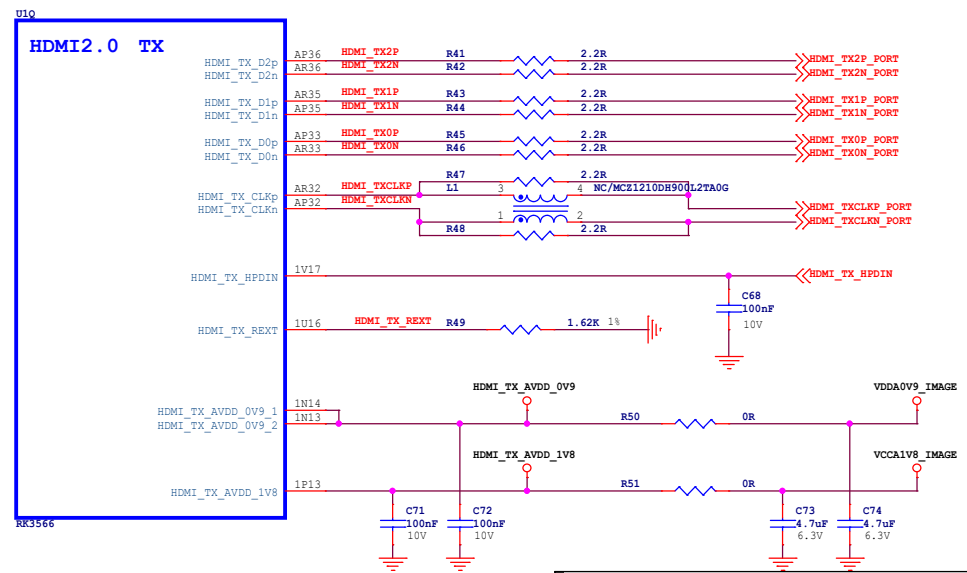
RK3566_S (MIPI_DSI_TX1/LVDS_TX1)



RK3566_T (eDP/DP TX)



RK3566_Q (HDMI2.0 TX)



RK3566_L (VCCIO5 Domain)

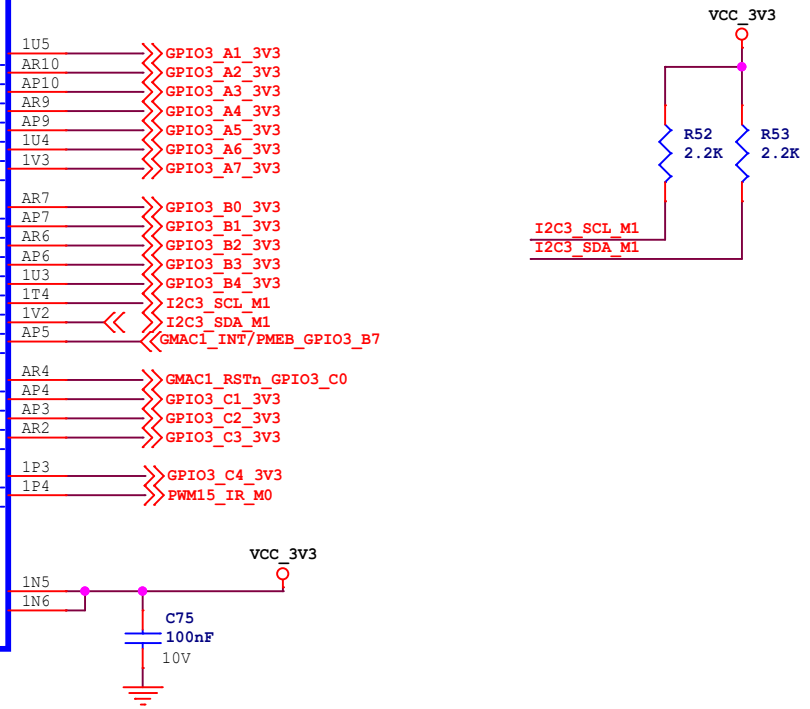
U1L

VCCIO5 Domain

Operating Voltage=1.8V/3.3V

VOP_BT1120_D0	/ SPI1_CS0_M1			/ SDMMC2_D0_M1	/ GPIO3_A1_d
VOP_BT1120_D1		/ GMAC1_TXD2_M0	/ I2S3_MCLK_M0	/ SDMMC2_D1_M1	/ GPIO3_A2_d
VOP_BT1120_D2		/ GMAC1_TXD3_M0	/ I2S3_SCLK_M0	/ SDMMC2_D2_M1	/ GPIO3_A3_d
VOP_BT1120_D3		/ GMAC1_RXD2_M0	/ I2S3_LRCK_M0	/ SDMMC2_D3_M1	/ GPIO3_A4_d
VOP_BT1120_D4		/ GMAC1_RXD3_M0	/ I2S3_SDO_M0	/ SDMMC2_CMD_M1	/ GPIO3_A5_d
VOP_BT1120_CLK		/ GMAC1_TXCLK_M0	/ I2S3_SDI_M0	/ SDMMC2_CLK_M1	/ GPIO3_A6_d
VOP_BT1120_D5		/ GMAC1_RXCLK_M0		/ SDMMC2_DET_M1	/ GPIO3_A7_d
VOP_BT1120_D6		/ ETH1_REFCLK0_25M_M0		/ SDMMC2_PWREN_M1	/ GPIO3_B0_d
PWM8_M0	/ VOP_BT1120_D7	/ GMAC1_RXD0_M0	/ UART4_RX_M1		/ GPIO3_B1_d
PWM9_M0	/ VOP_BT1120_D8	/ GMAC1_RXD1_M0	/ UART4_TX_M1		/ GPIO3_B2_d
VOP_BT1120_D9	/ I2C5_SCL_M0	/ GMAC1_RXDV_CRS_M0		/ PDM_SDI0_M2	/ GPIO3_B3_d
VOP_BT1120_D10	/ I2C5_SDA_M0	/ GMAC1_RXER_M0		/ PDM_SDI1_M2	/ GPIO3_B4_d
PWM10_M0	/ VOP_BT1120_D11	/ GMAC1_TXD0_M0			/ GPIO3_B5_d
PWM11_IR_M0	/ VOP_BT1120_D12	/ I2C3_SDA_M1	/ GMAC1_TXD1_M0		/ GPIO3_B6_d
PWM12_M0		/ GMAC1_TXEN_M0	/ UART3_TX_M1	/ PDM_SDI2_M2	/ GPIO3_B7_d
PWM13_M0		/ GMAC1_MCLKINOUT_M0	/ UART3_RX_M1	/ PDM_SDI3_M2	/ GPIO3_C0_d
VOP_BT1120_D13	/ SPI1_MOSI_M1		/ PCIE20_PERSTn_M1	/ I2S1_SDO2_M2	/ GPIO3_C1_d
VOP_BT1120_D14	/ SPI1_MISO_M1		/ UART5_TX_M1	/ I2S1_SDO3_M2	/ GPIO3_C2_d
VOP_BT1120_D15	/ SPI1_CLK_M1		/ UART5_RX_M1	/ I2S1_SCLK_RX_M2	/ GPIO3_C3_d
PWM14_M0	/ VOP_PWM_M1	/ GMAC1_MDC_M0	/ UART7_TX_M1	/ PDM_CLK1_M2	/ GPIO3_C4_d
PWM15_IR_M0	/ SPDIF_TX_M1	/ GMAC1_MDIO_M0	/ UART7_RX_M1	/ I2S1_LRCK_RX_M2	/ GPIO3_C5_d

RK3566



Size	Title:	REV
A4	ROCK 3C	1.33
Page Name: RK3566_VO Interface_2		
Date: Friday, December 16, 2022	Sheet 09 of 29	

RK3566_H (VCCIO1 Domain)

U1H

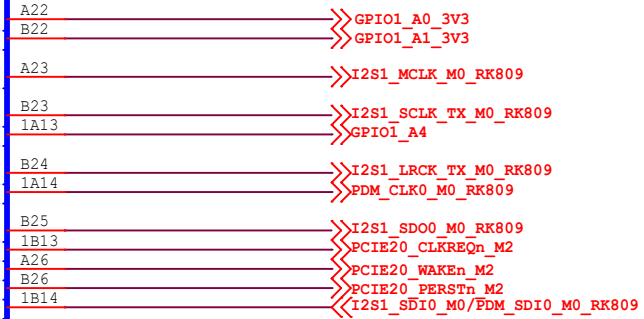
VCCIO1 Domain

Operating Voltage=1.8V/3.3V

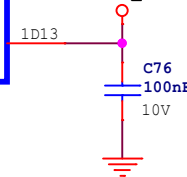
	/ I2C3 SDA M0	/ UART3 RX M0	/ AUDIOPWM LOUT p	/ GPIO1 A0 u
	/ I2C3 SCL M0	/ UART3 TX M0	/ AUDIOPWM LOUT r	/ GPIO1 A1 u
SCR CLK	/ I2S1 MCLK M0	/ UART3 RTSn M0		/ GPIO1 A2 d
SCR IO	/ I2S1 SCLK TX M0	/ UART3 CTSn M0		/ GPIO1 A3 d
	I2S1 SCLK RX M0	/ UART4 RX M0	/ PDM CLR1 M0	/ SPDIF TX M0
				/ GPIO1 A4 d
SCR RST	/ I2S1 LRCK TX M0	/ UART4 RTSn M0		/ GPIO1 A5 d
	I2S1 LRCK RX M0	/ UART4 TX M0	/ PDM CLR0 M0	/ AUDIOPWM ROUT p
				/ GPIO1 A6 d
SCR DET	/ I2S1 SDO0 M0	/ UART4 CTSn M0		/ GPIO1 A7 d
	I2S1 SDO1 M0	/ I2S1 SDI3 M0	/ PDM SDI3 M0	/ PCIE20 CLKREQn M2
	I2S1 SDO2 M0	/ I2S1 SDI2 M0	/ PDM SDI2 M0	/ PCIE20 WAKEn M2
	I2S1 SDO3 M0	/ I2S1 SDI1 M0	/ PDM SDI1 M0	/ PCIE20 PERSTn M2
		I2S1 SDI0 M0	/ PDM SDI0 M0	/ GPIO1 B3 d

RK3566

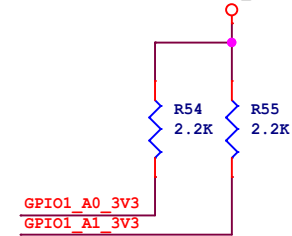
VCCIO1



VCCIO_ACODEC

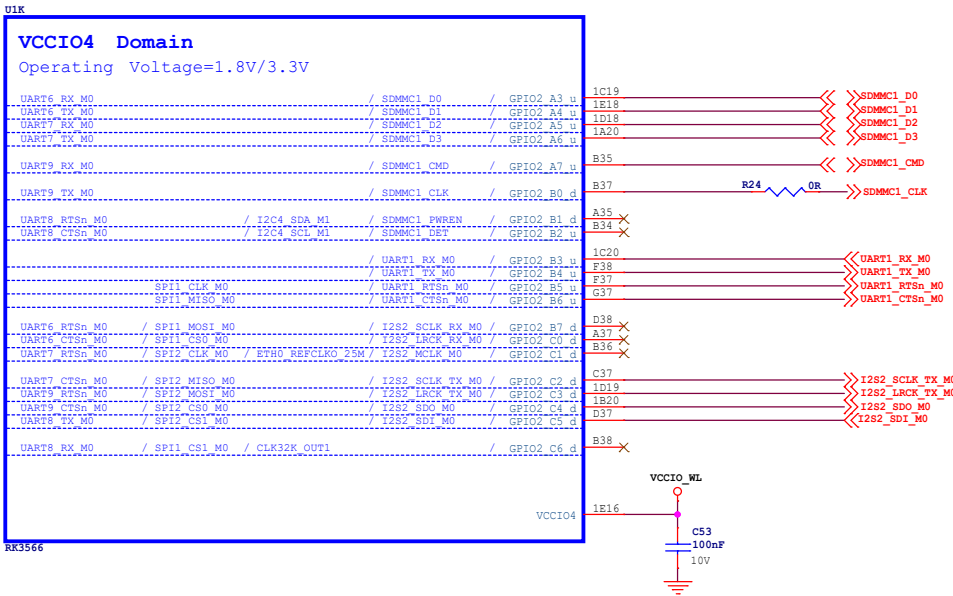


VCCIO_ACODEC

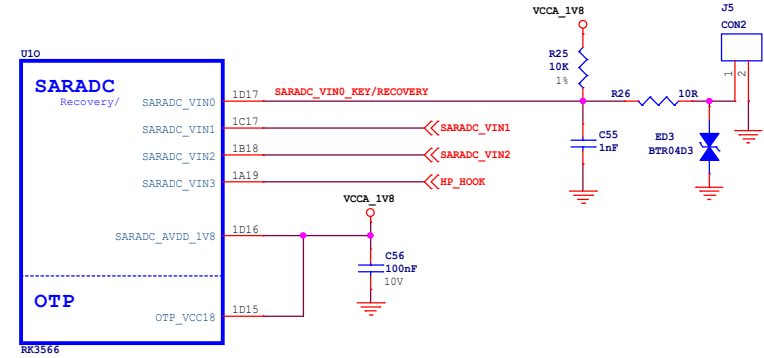


radxa		
Size	Title:	ROCK 3C
A4	Page Name:	RK3566_Audio Interface
Date:	Friday, December 16, 2022	Sheet 10 of 29
		REV 1.33

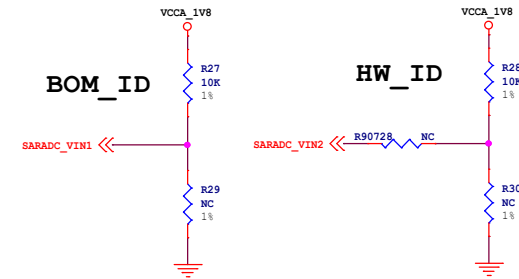
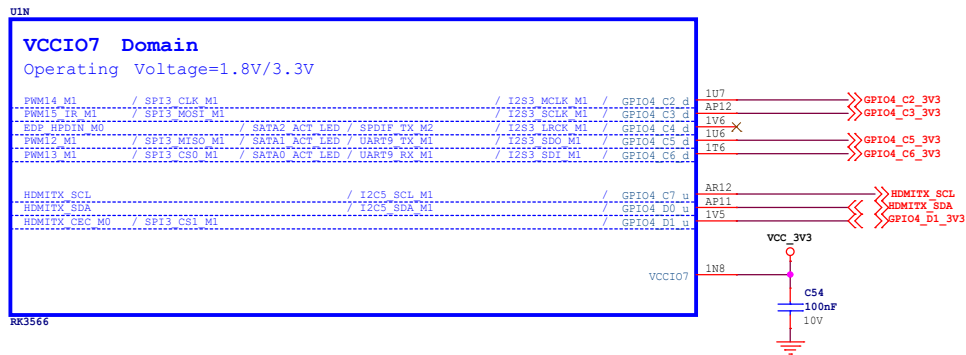
RK3566_K (VCCIO4 Domain)



RK3566_O (SARADC/OTP)

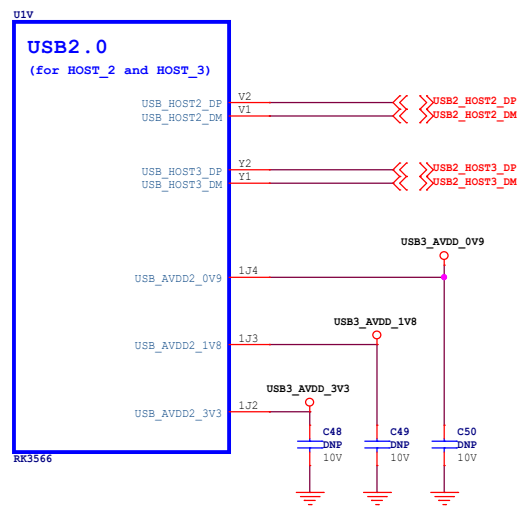
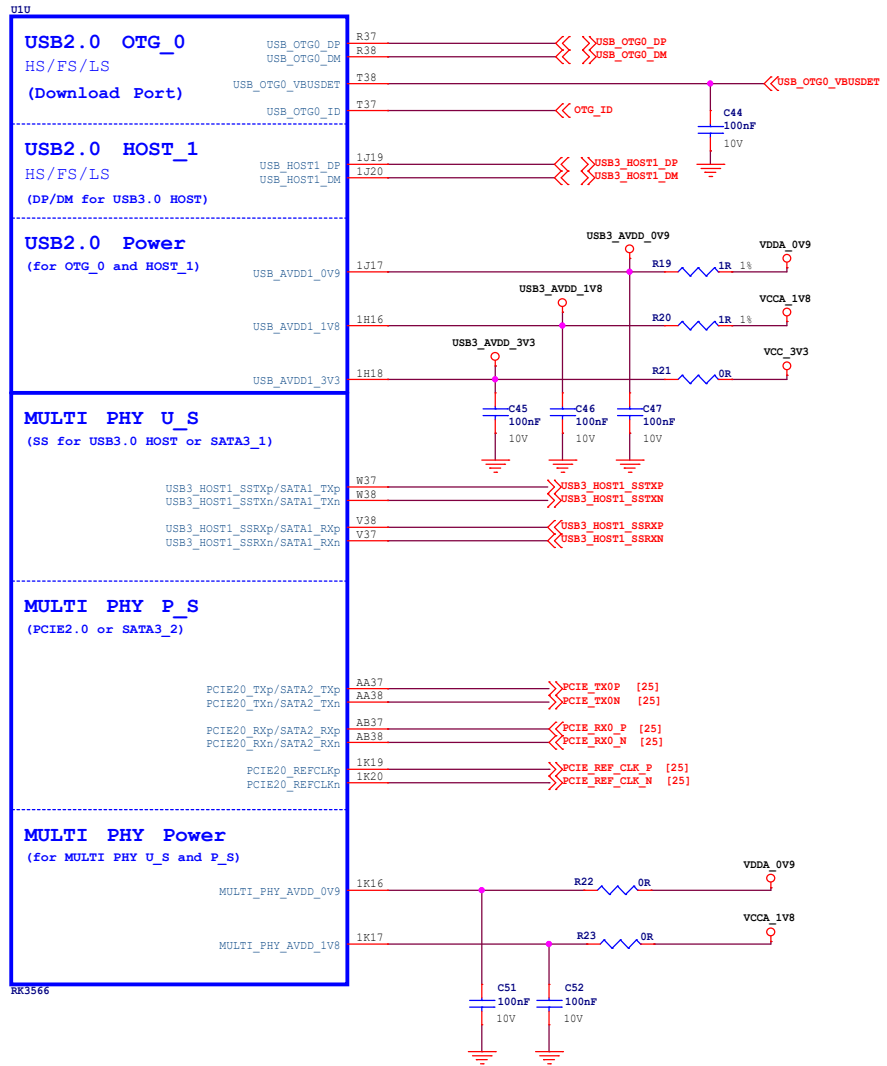


RK3566_N (VCCIO7 Domain)

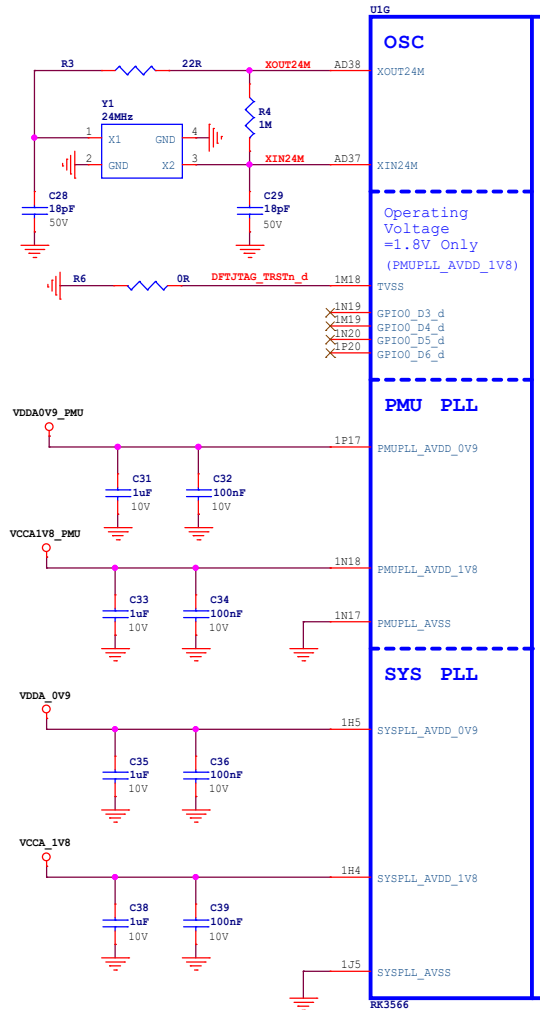


RK3566_U (USB3.0/SATA/QSGMII/PCIE2.0 x1)

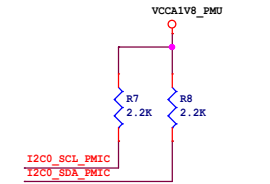
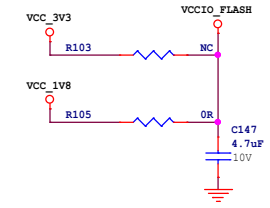
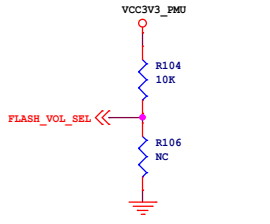
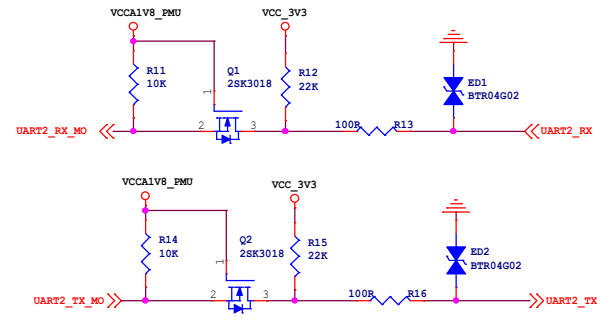
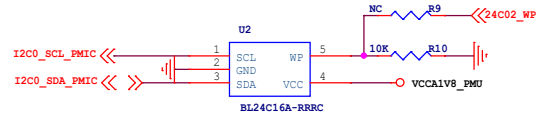
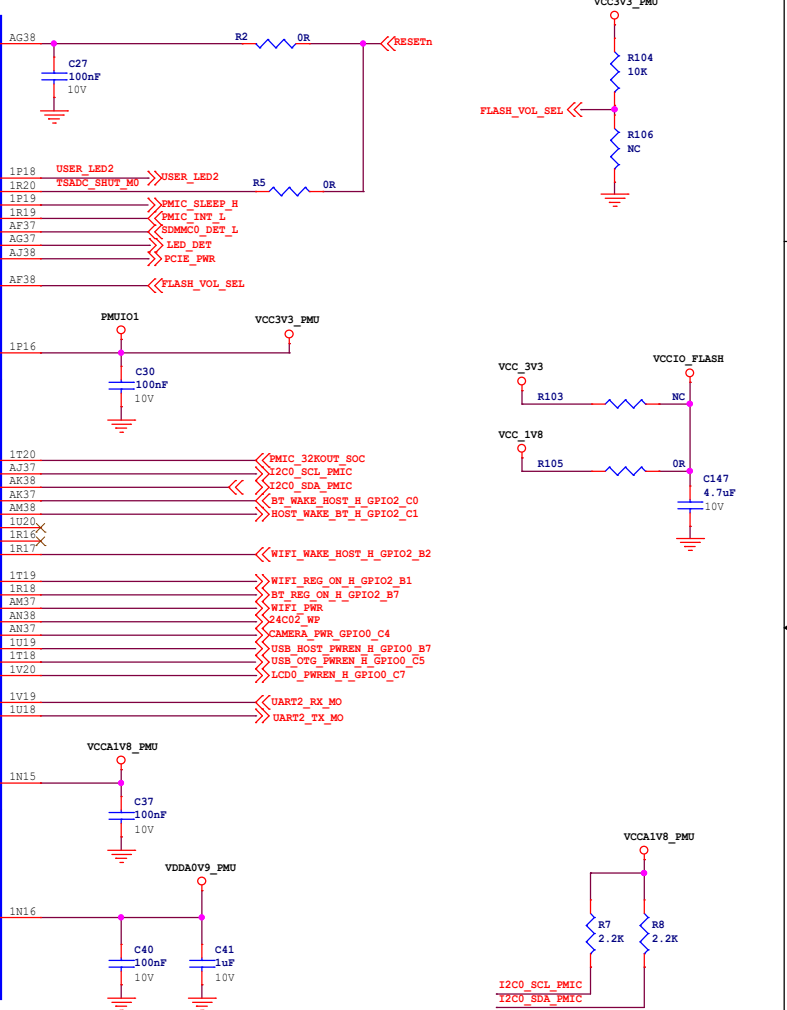
RK3566_V (USB2.0 HOST)




RK3566_G (OSC/PLL/PMUIO1/2)

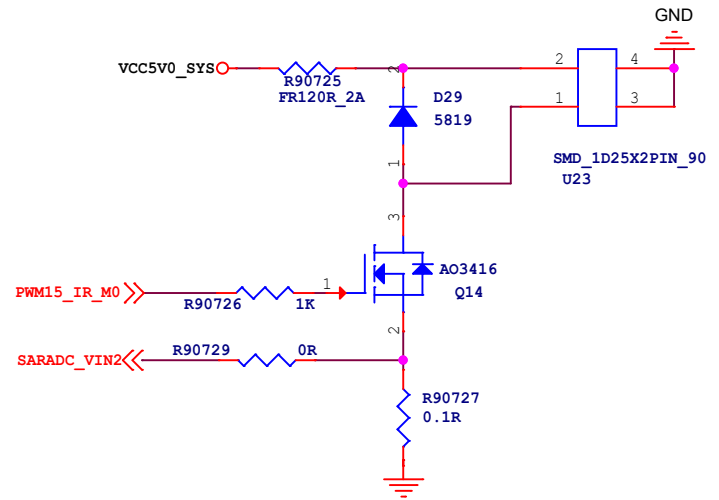
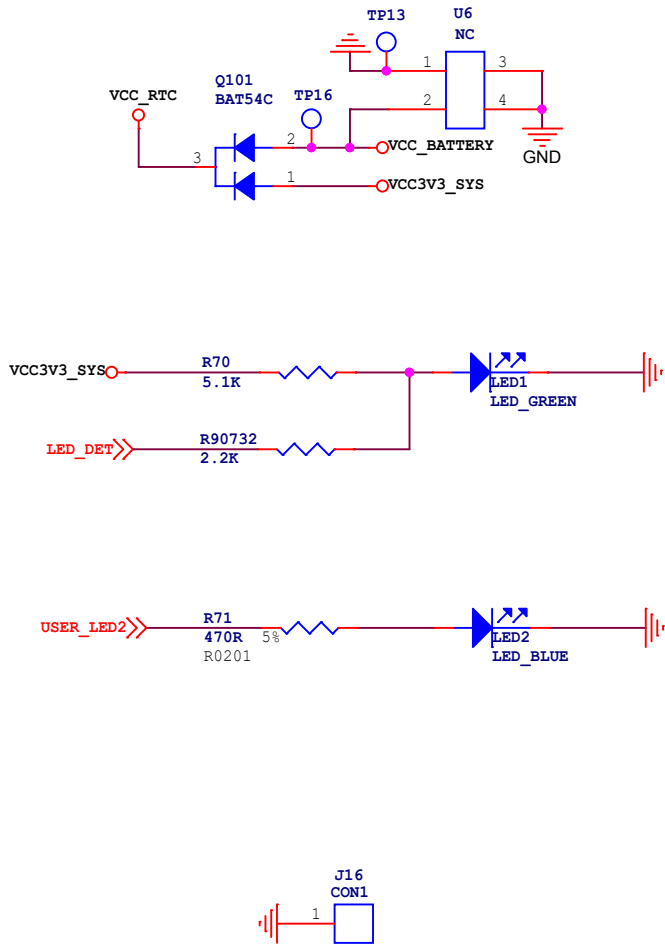


PMUIO1 Domain	
Operating Voltage=3.3V Only	
REFCLK_OUT	GPIO0 A0 H
TSADC_SHUT_WD	GPIO0 A1 H
PMIC_SLEEP	GPIO0 A2 H
TSADC_SHUT_M0	GPIO0 A3 H
SIMMCO_DET	GPIO0 A4 H
SIMMCO_PWREN	GPIO0 A5 H
GPU_PWREN	GPIO0 A6 H
FLASH_VOL_SEL	GPIO0 A7 H
CLK32K_IN	GPIO0 B0 H
I2C0_SCL	GPIO0 B1 H
I2C0_SDA	GPIO0 B2 H
I2C1_SCL	GPIO0 B3 H
I2C1_SDA	GPIO0 B4 H
I2C0_SCL_M0	GPIO0 B5 H
I2C0_SDA_M0	GPIO0 B6 H
I2C0_SDA_M1	GPIO0 B7 H
PWM1_M0	GPIO0 C0 H
PWM2_M0	GPIO0 C1 H
PWM3_IR	GPIO0 C2 H
PWM4	GPIO0 C3 H
PWM5	GPIO0 C4 H
PWM6	GPIO0 C5 H
PWM7_IR	GPIO0 C6 H
PWM0_M1	GPIO0 C7 H
UART2_RX_M0	GPIO0 D0 H
UART2_TX_M0	GPIO0 D1 H



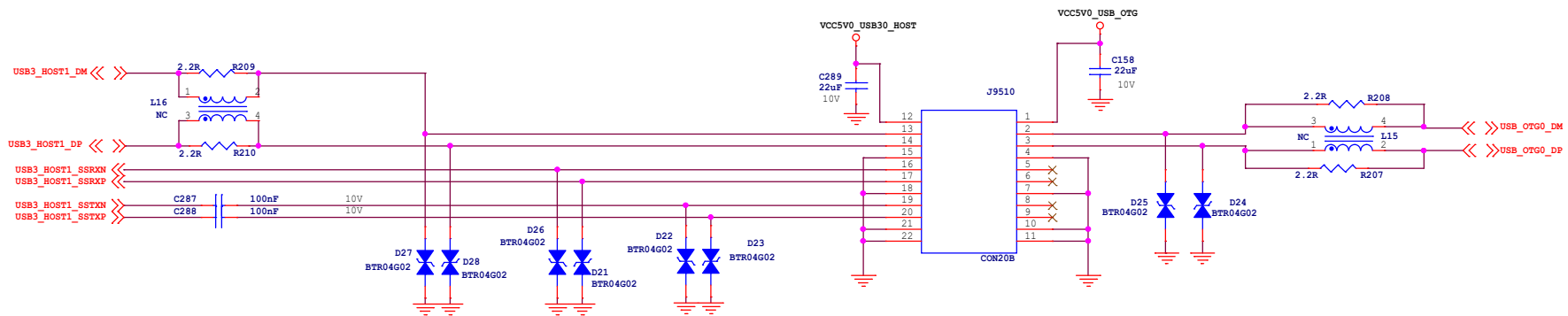
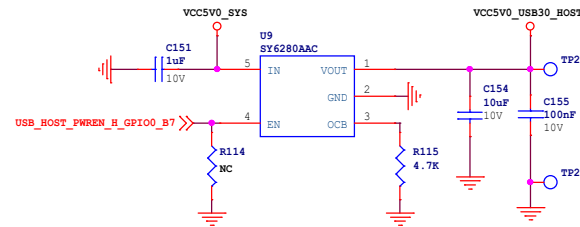
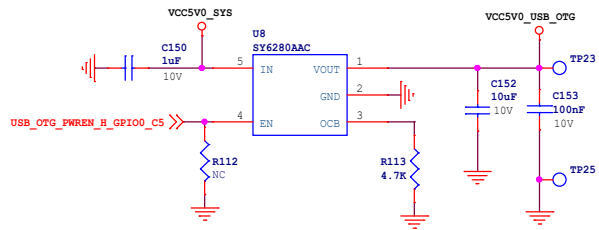
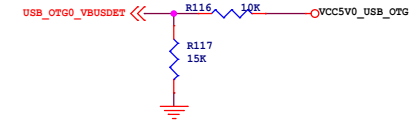
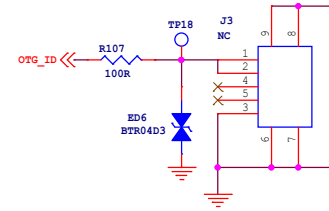
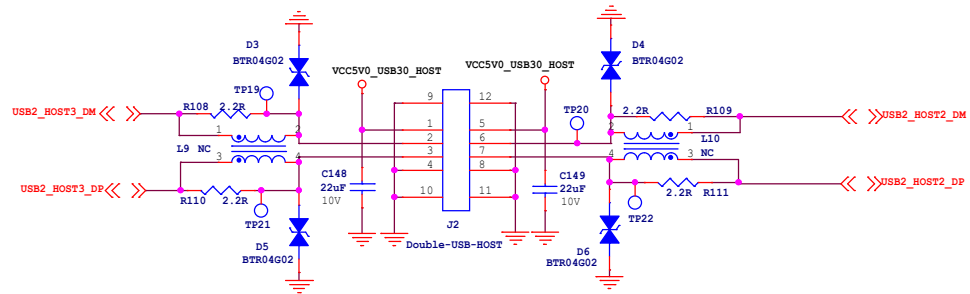


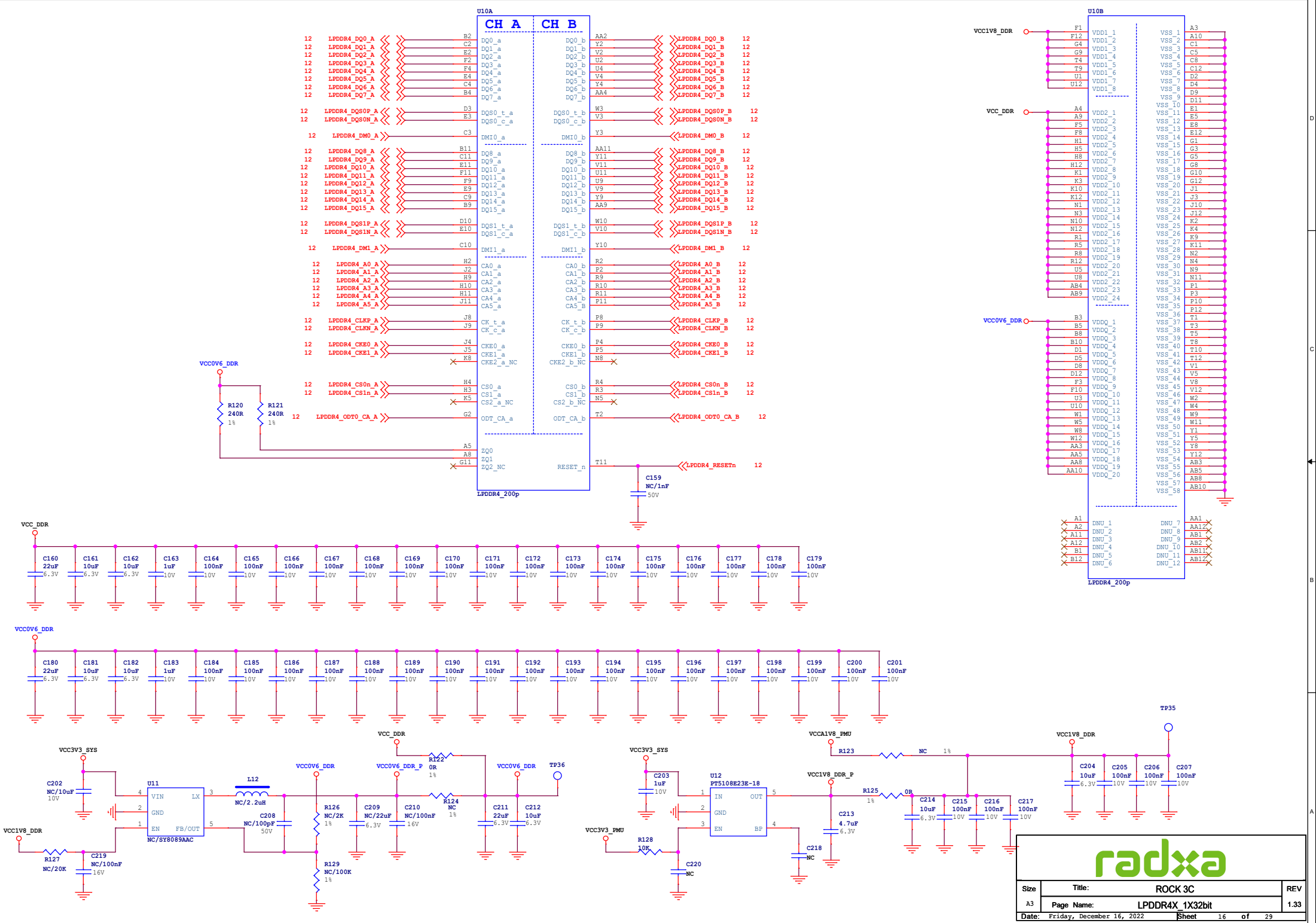
Size	Title: ROCK 3C	REV
A3	Page Name: RK3566_OSC/PLL/PMUIO	1.33
Date: Friday, December 16, 2022	Sheet 13 of 29	



radxa

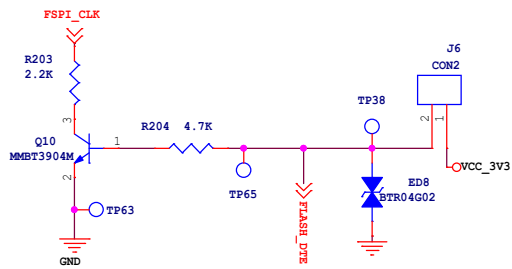
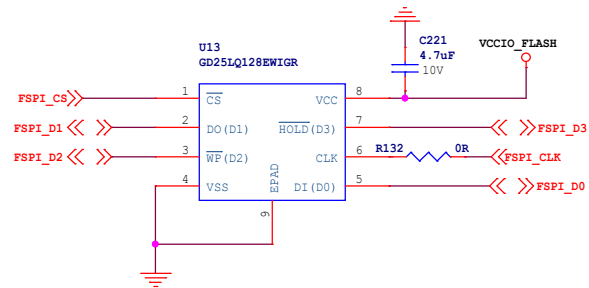
Size	Title:	ROCK 3C	REV
A4	Page Name:	LED/RTC/FAN	1.33
Date:		Friday, December 16, 2022	Sheet 14 of 29



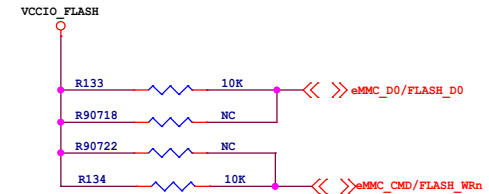
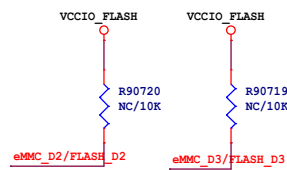
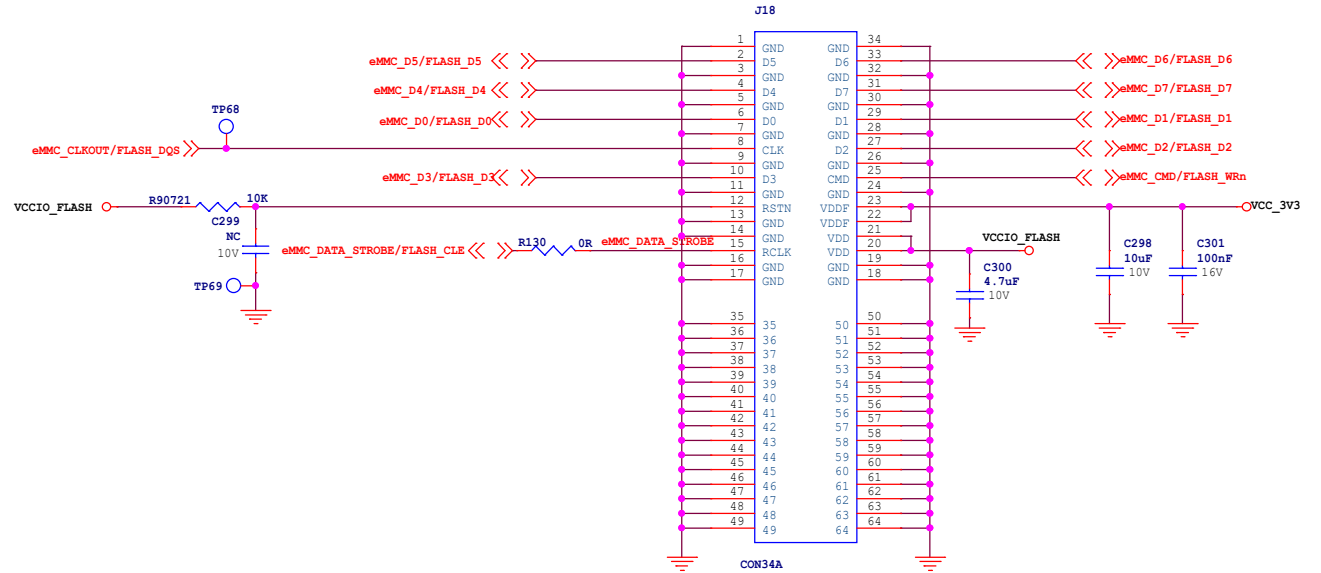


Size	Title:	ROCK 3C	REV
A3	Page Name:	LPDDR4X 1X32bit	1.33
Date:	Friday, December 16, 2022	Sheet	16 of 29

SPI FLASH

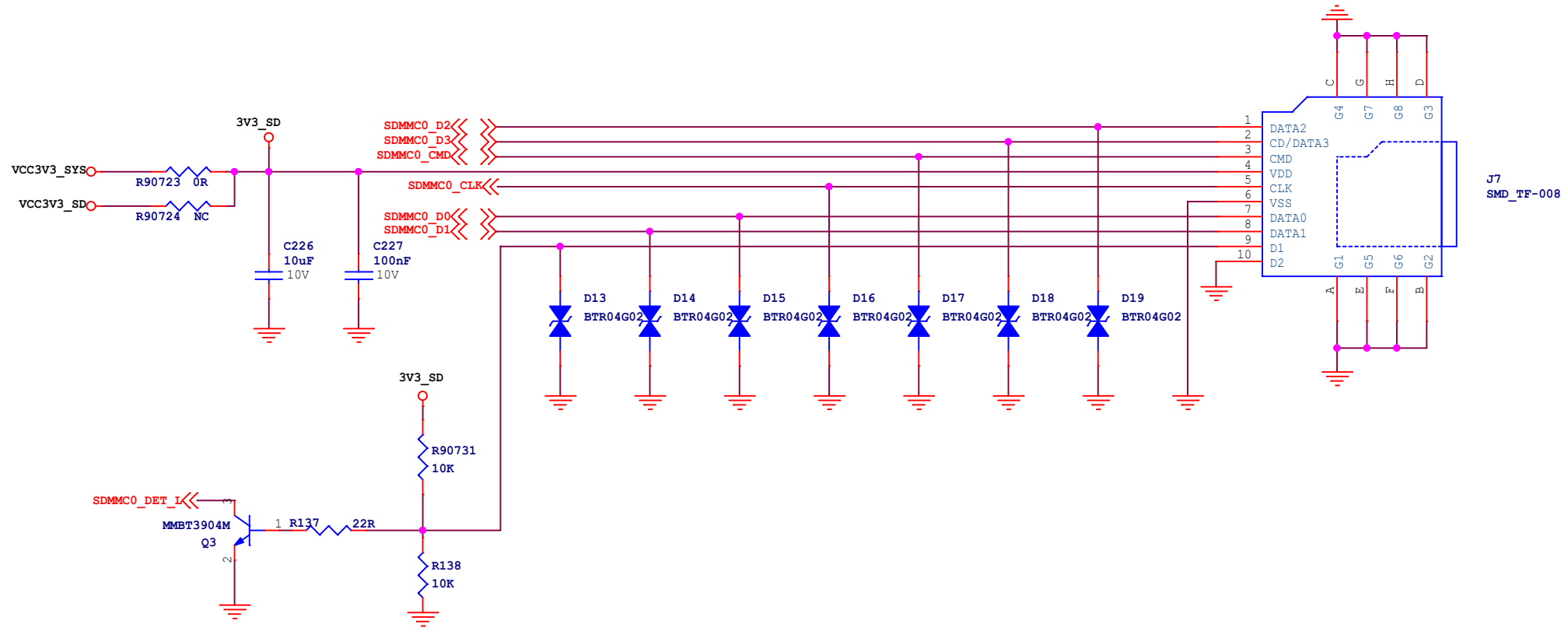


EMMC FLASH



Size		Title: ROCK 3C	REV
B		Page Name: SPI Flash/eMMC	1.33
Date: Friday, December 16, 2022		Sheet 17	of 29

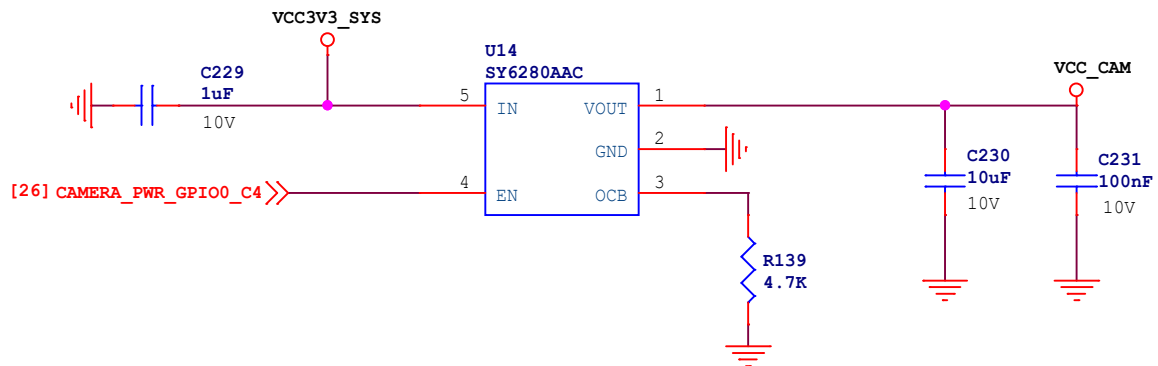
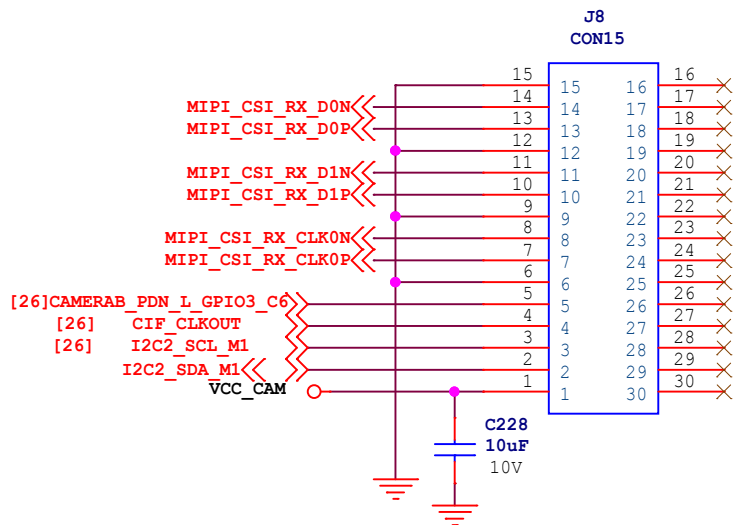
MicroSD Card



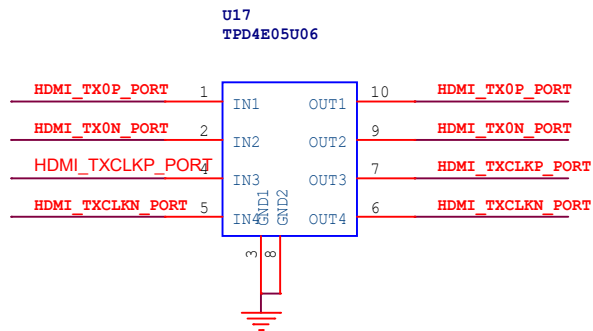
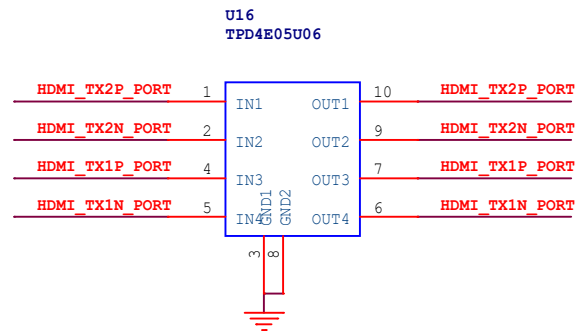
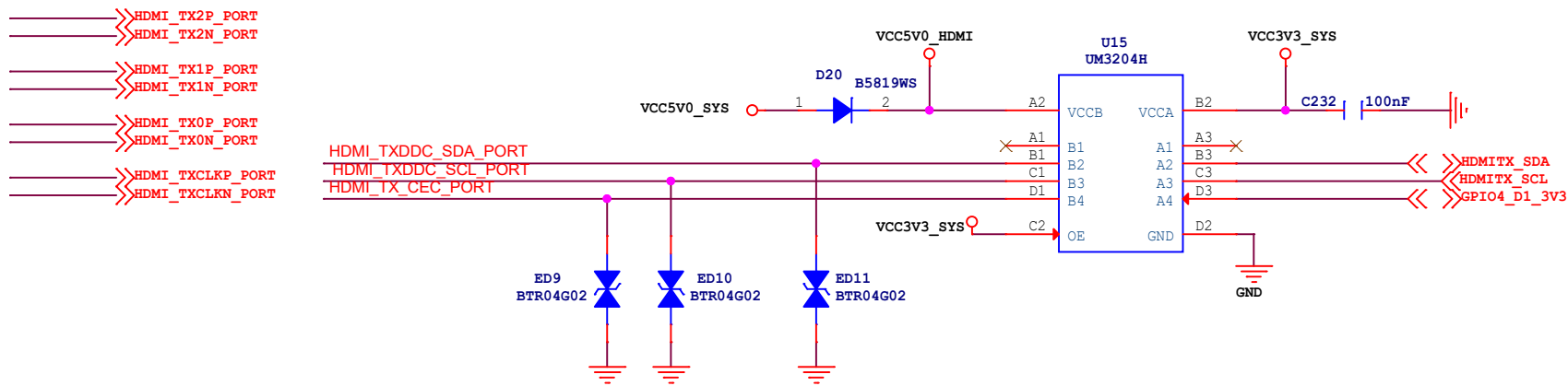
J7
SMD_TF-008



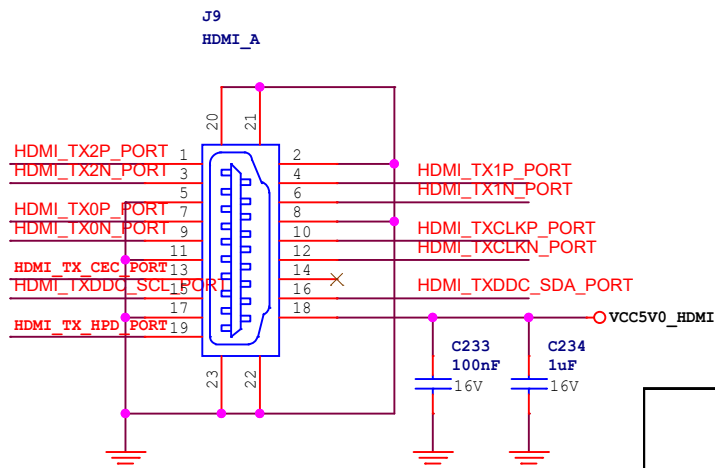
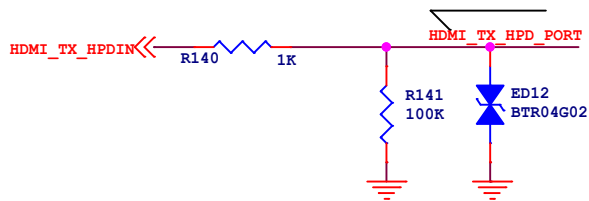
Size	Title: ROCK 3C	REV
A4	Page Name: MicroSD Card	1.33
Date: Friday, December 16, 2022 Sheet 18 of 29		



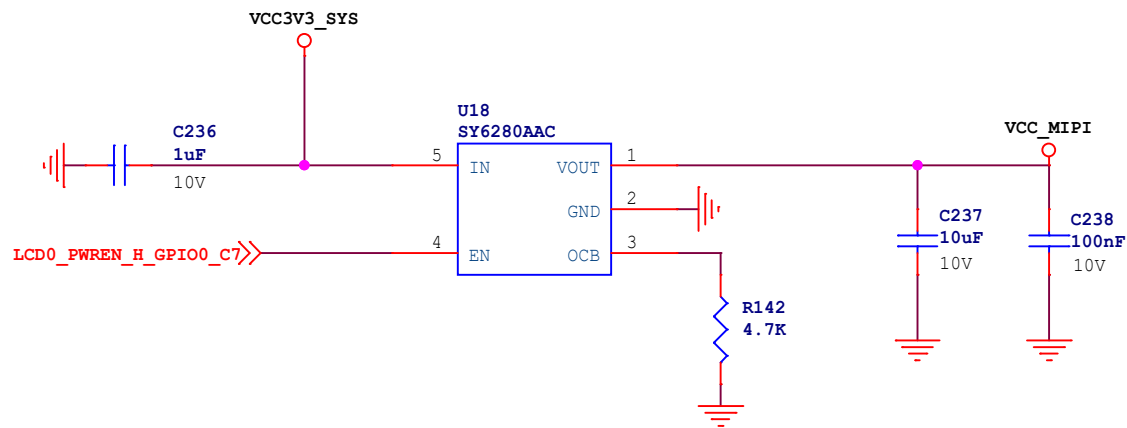
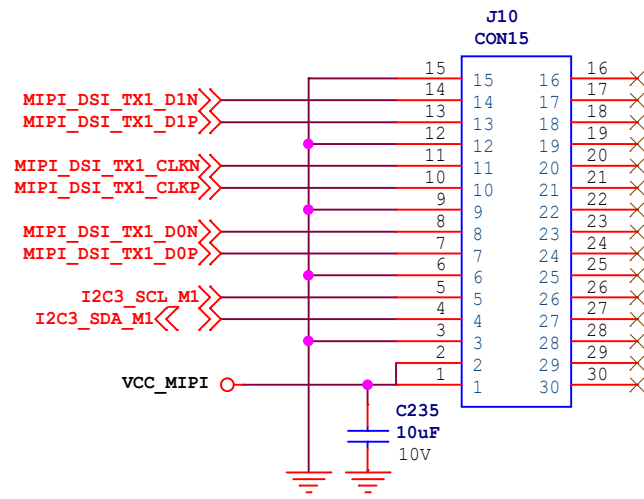
Size	Title: ROCK 3C	REV
A	Page Name: MIPI-CSI	1.33
Date: Friday, December 16, 2022	Sheet 19 of 29	



HDMI TX HPD



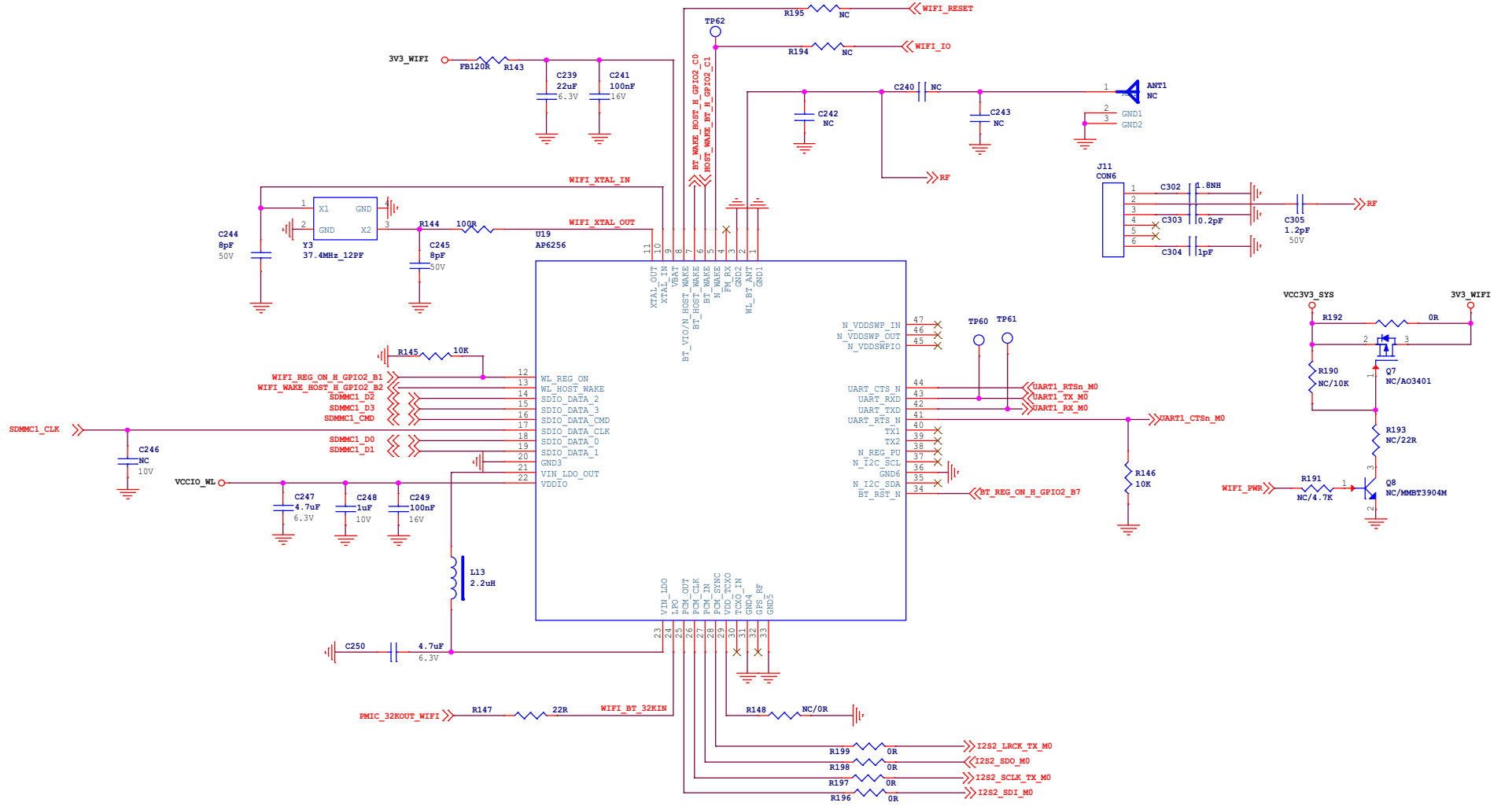
Size	Title: ROCK 3C	REV
A4	Page Name: HDMI2.0 TX	1.33
Date: Friday, December 16, 2022	Sheet 20 of 29	



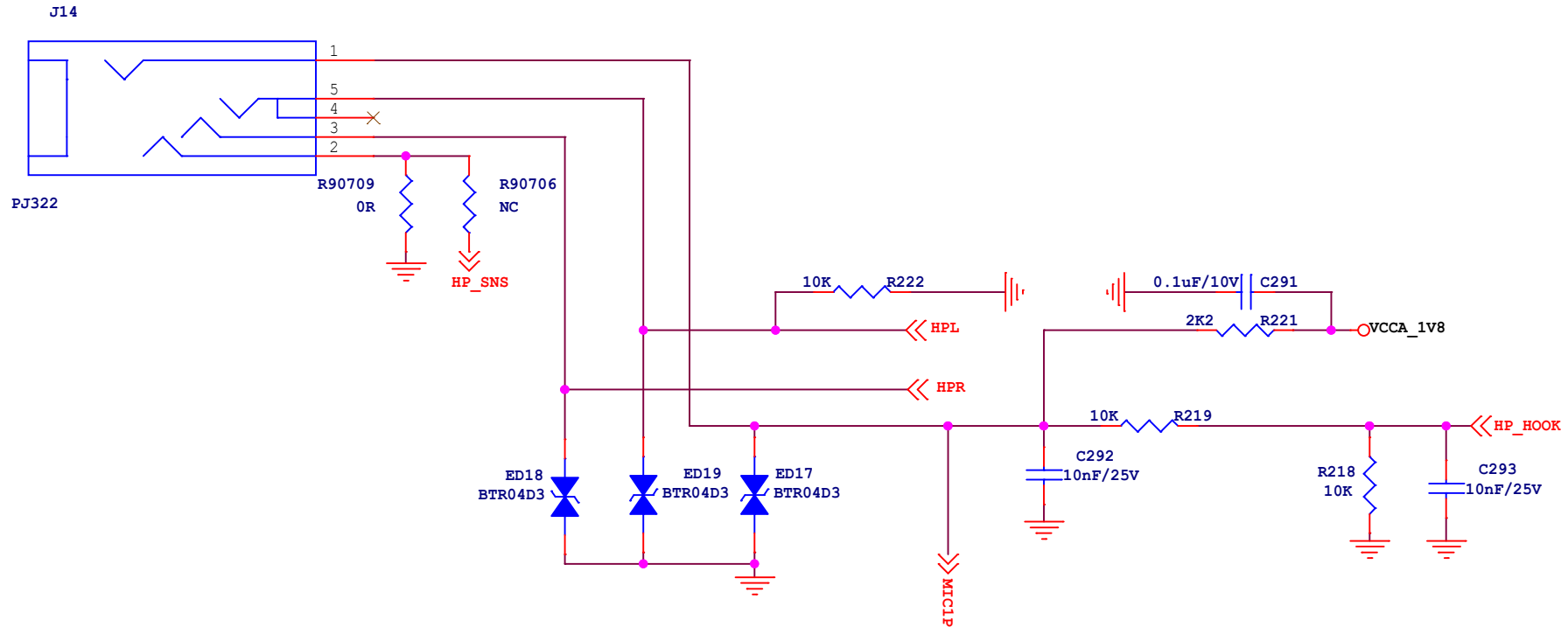
radxa

Size	Title: ROCK 3C	REV
A	Page Name: MIPI-DSI	1.33
Date: Friday, December 16, 2022	Sheet 21 of 29	

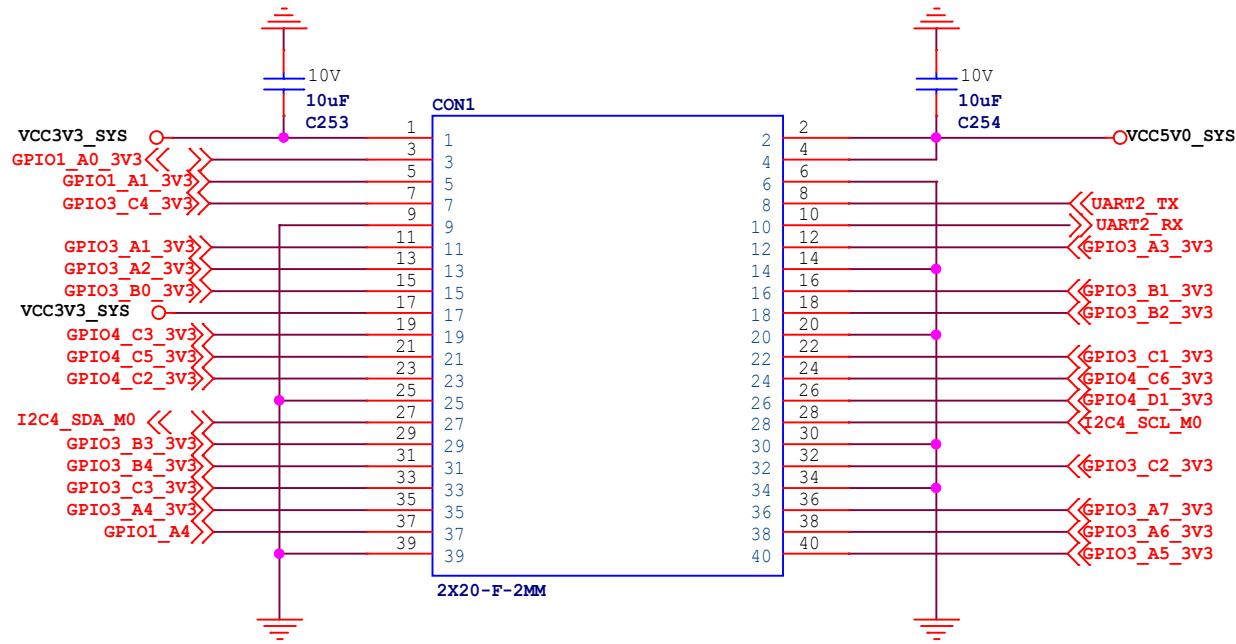
SDIO WIFI/BT Module-1T1R



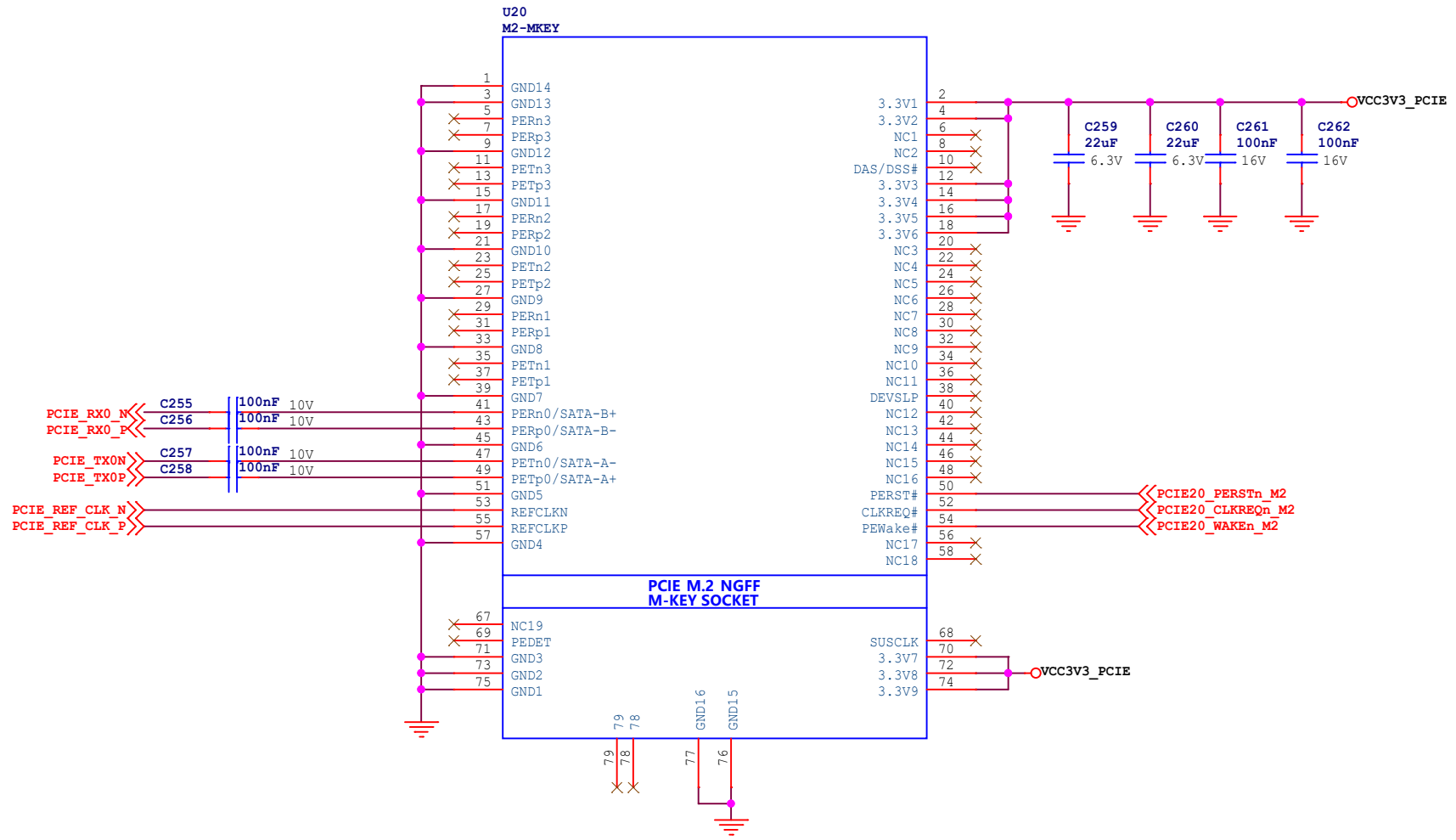
Headphone



Size	Title: ROCK 3C	REV
A	Page Name: AUDIO OUT	1.33
Date: Friday, December 16, 2022	Sheet 23 of 29	

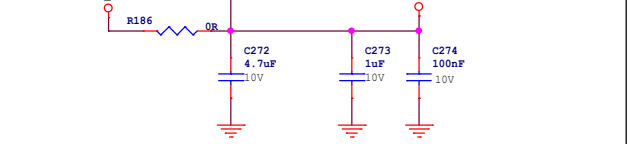
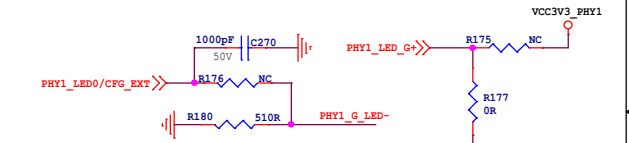
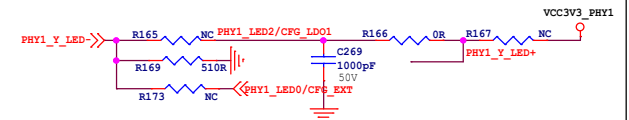
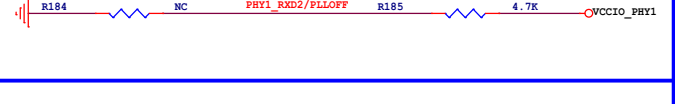
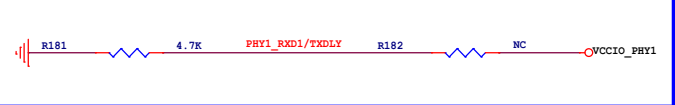
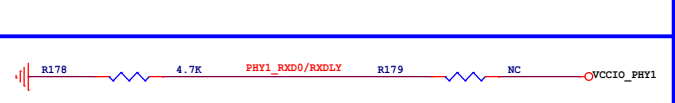
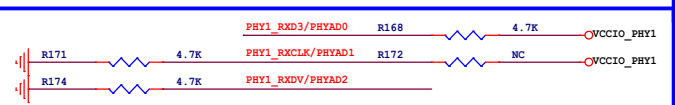
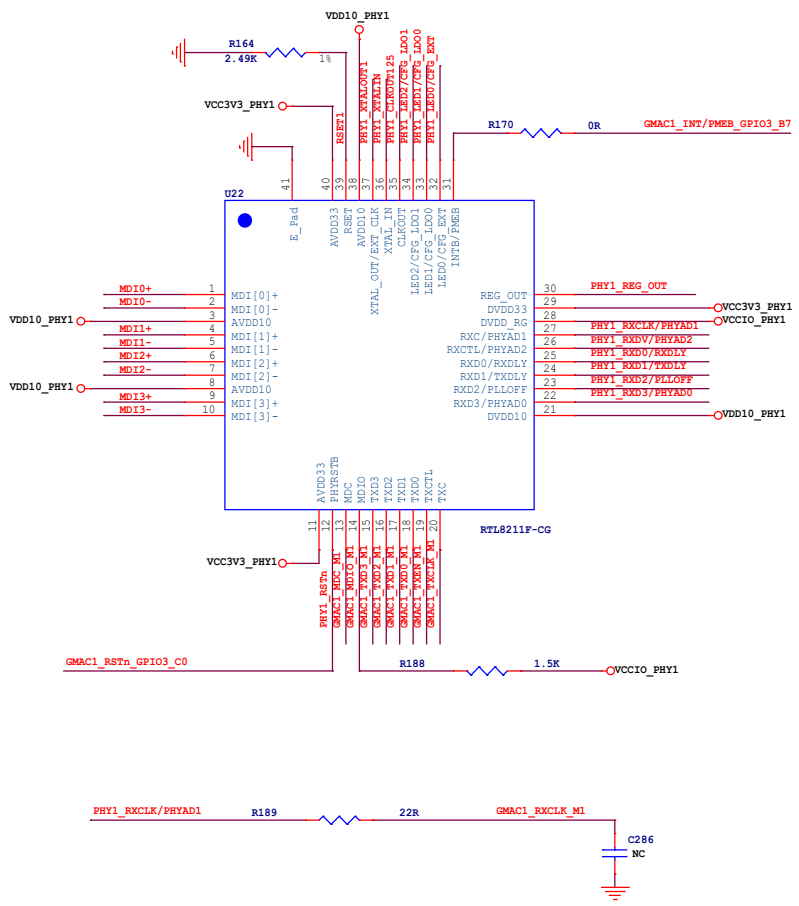
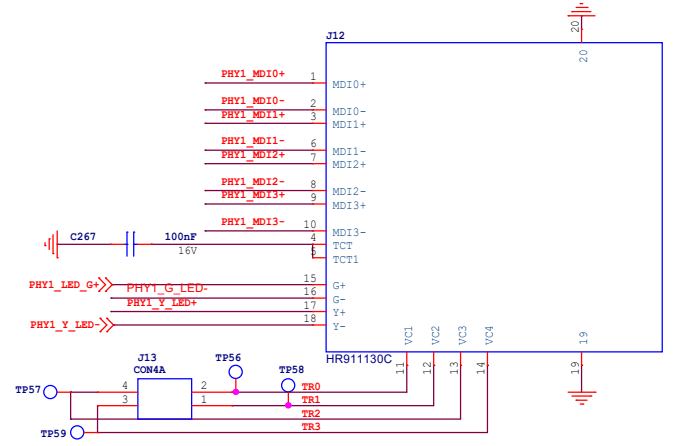
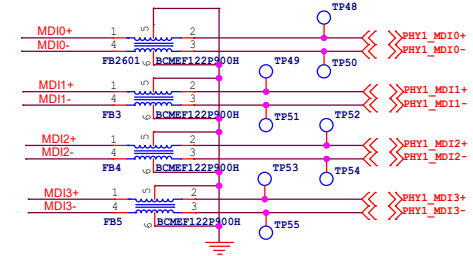
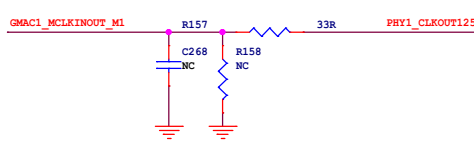
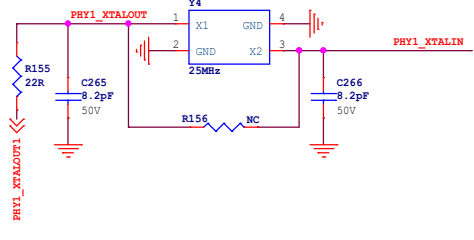
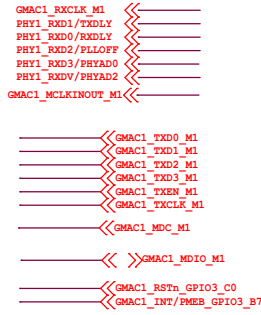


Size	Title: ROCK 3C	REV
A	Page Name: CONNECTOR	1.33
Date: Friday, December 16, 2022	Sheet 24 of 29	



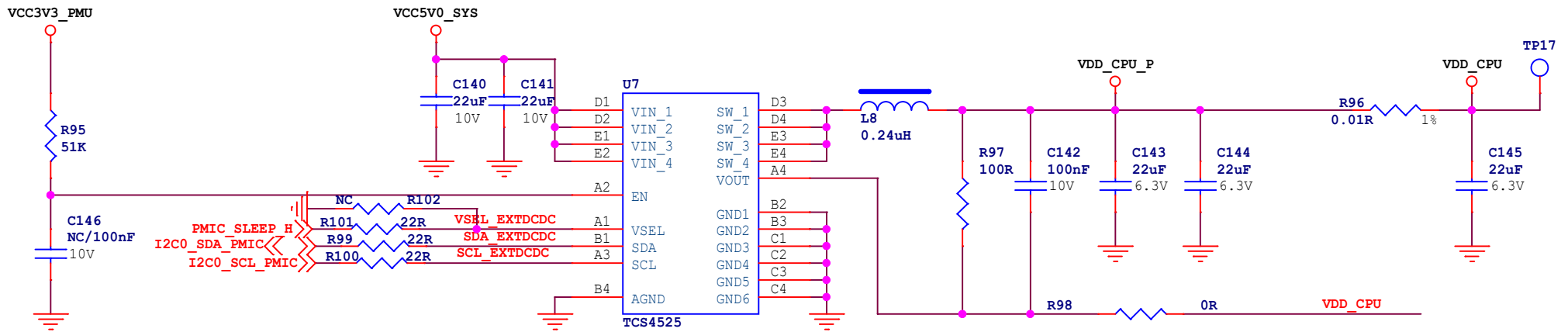
Size	Title:	ROCK 3C	REV
A4	Page Name:	PCIE-M2	1.33
Date:		Friday, December 16, 2022	Sheet 25 of 29

RGMII



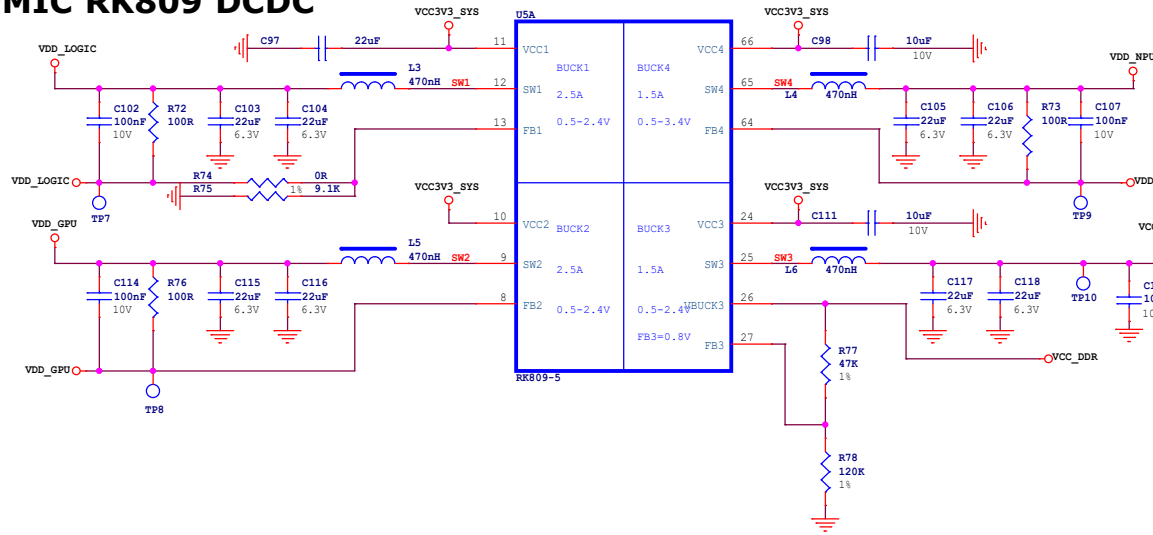
Size	Title	ROCK 3C	REV
A3	Page Name:	RGMII	1.33
Date:	Friday, December 16, 2022	Sheet	26 of 29

VDD_CPU_EXT

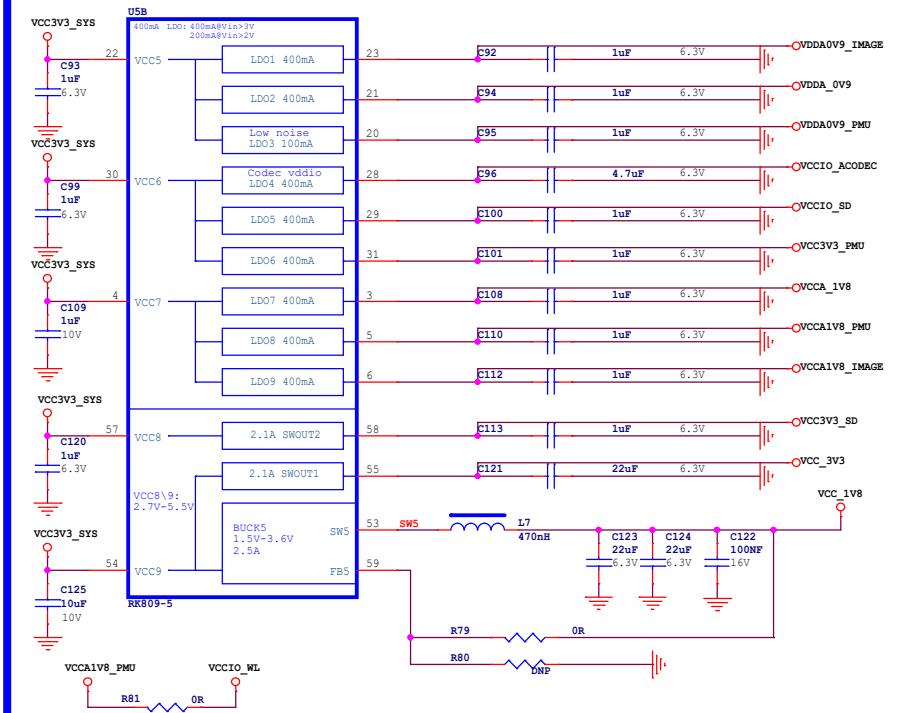


Size	Title: ROCK 3C	REV
A	Page Name: Power_other	1.33
Date: Friday, December 16, 2022	Sheet 27 of 29	

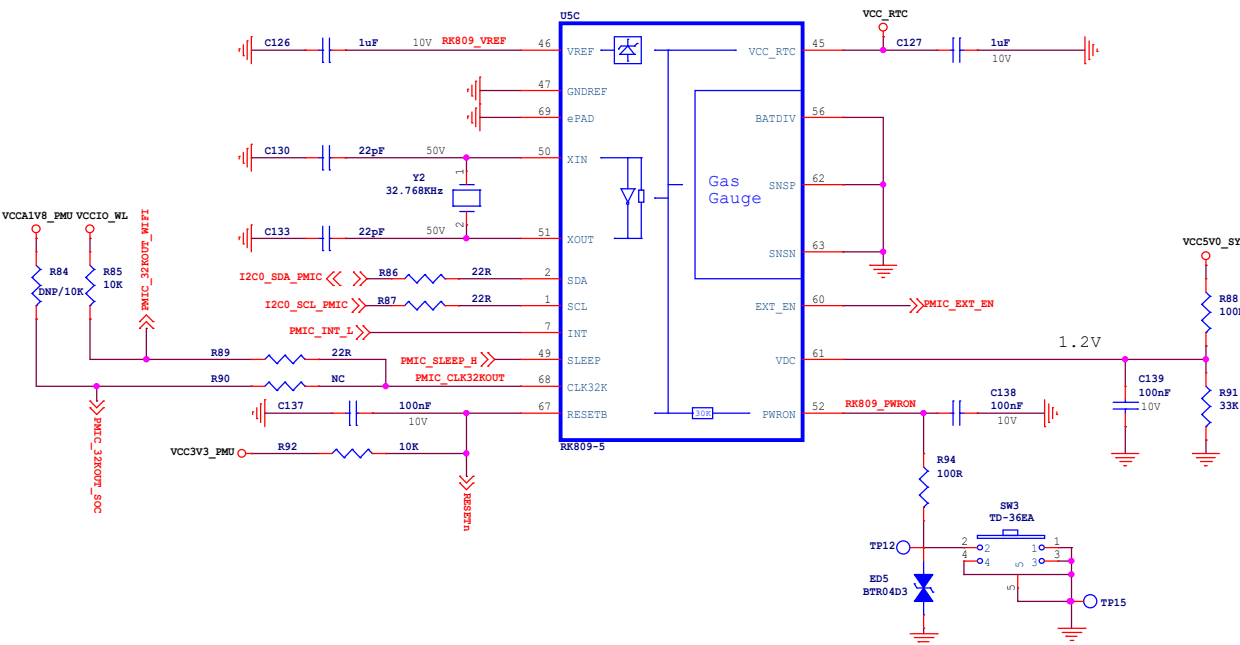
PMIC RK809 DCDC



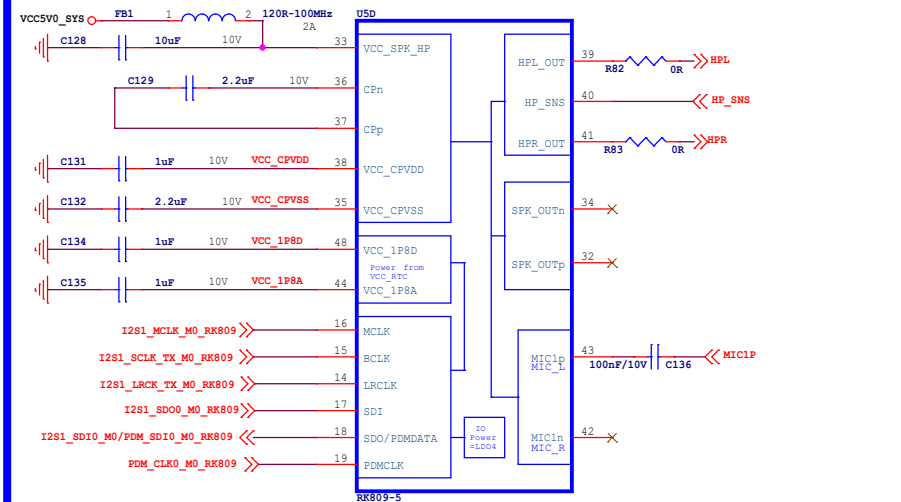
PMIC RK809 LDO



PMIC RK809 Management

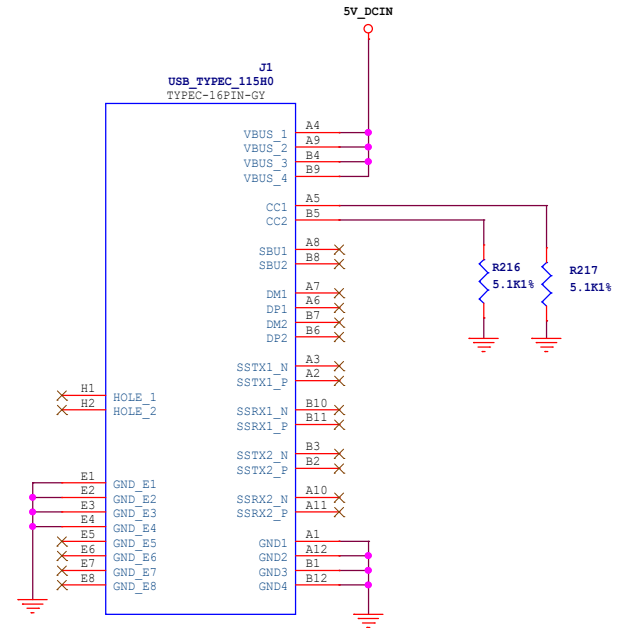
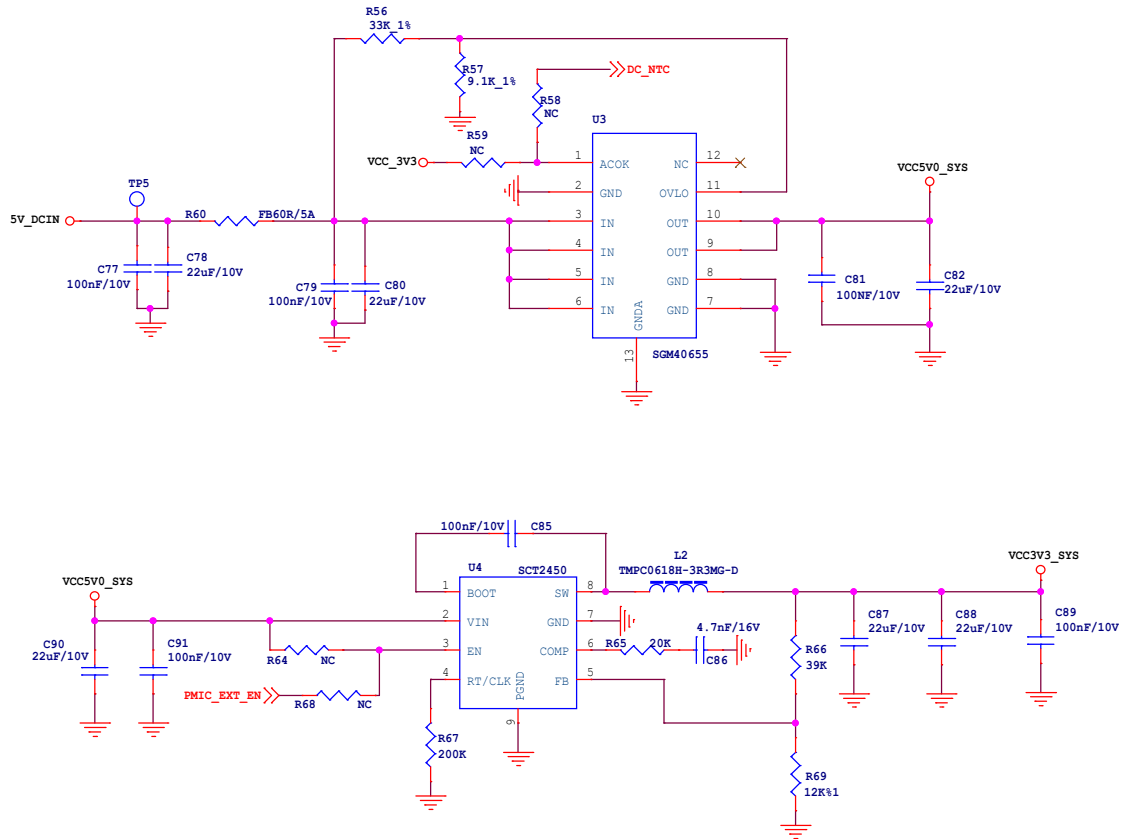



PMIC RK809 CODEC



Size	Title:	ROCK 3C	REV
A3	Page Name:	Power PMIC	1.33
Date:	Friday, December 16, 2022	Sheet	28 of 29

DC 5V IN





Size	Title: ROCK 3C	REV
B	Page Name: Power_DC IN	1.33
Date: Friday, December 16, 2022	Sheet 29 of 29	