


Ordering number CA13307_LAURA-O-WAS-PIN

Family	Laura	FWHM	Asym degrees
Type	Assembly	Efficiency	84 %
LED	Oslon Square EC	cd/lm	2.400
Color	White	Gerber File	Available
Diameter	21.6x21.6 mm		
Height	13.1 mm		
Style	Square		
Optic Material	PMMA		
Holder Material	PC		
Fastening	Pin, tape		
Status	Ready		

Ordering number CP13308_LAURA-O-WAS-PG

Family	Laura	FWHM	Asym degrees
Type	Assembly	Efficiency	84 %
LED	Oslon Square EC	cd/lm	2.400
Color	White	Gerber File	Available
Diameter	21.6x21.6 mm		
Height	12.9 mm		
Style	Square		
Optic Material	PMMA		
Holder Material	PC		
Fastening	Pin, glue		
Status	Ready		

Ordering number CP13311_LAURA-SS-WAS-PG

Family	Laura	FWHM	Asym degrees
Type	Assembly	Efficiency	90 %
LED	Oslon Square EC	cd/lm	9.600
Color	White	Gerber File	Available
Diameter	21.6x21.6 mm		
Height	12.9 mm		
Style	Square		
Optic Material	PMMA		
Holder Material	PC		
Fastening	Pin, glue		
Status	Ready		

Ordering number CA13312_LAURA-SS-WAS-PIN

Family	Laura	FWHM	Asym degrees
Type	Assembly	Efficiency	90 %
LED	Oslon Square EC	cd/lm	9.600
Color	White	Gerber File	Available
Diameter	21.6x21.6 mm		
Height	13.1 mm		
Style	Square		
Optic Material	PMMA		
Holder Material	PC		
Fastening	Pin, tape		
Status	Ready		


Ordering number CA11959_LAURA-RS-PIN

Family	Laura	FWHM	9 degrees
Type	Assembly	Efficiency	93 %
LED	Oslon Square EC	cd/lm	20.000
Color	White	Gerber File	Available
Diameter	21.6 x 21.6 mm		
Height	13.1 mm		
Style	Square		
Optic Material	PMMA		
Holder Material	PC		
Fastening	Pin, tape		
Status	Ready		


Ordering number CA12011_LAURA-SS-PIN

Family	Laura	FWHM	13 degrees
Type	Assembly	Efficiency	88 %
LED	Oslon Square EC	cd/lm	9.100
Color	White	Gerber File	Available
Diameter	21.6 + 21.6 mm		
Height	13.1 mm		
Style	Square		
Optic Material	PMMA		
Holder Material	PC		
Fastening	Pin, tape		
Status	Ready		


Ordering number CA11960_LAURA-D-PIN

Family	Laura	FWHM	16 degrees
Type	Assembly	Efficiency	81 %
LED	Oslon Square EC	cd/lm	6.650
Color	White	Gerber File	Available
Diameter	21.6 + 21.6 mm		
Height	13.1 mm		
Style	Square		
Optic Material	PMMA		
Holder Material	PC		
Fastening	Pin, tape		
Status	Ready		


Ordering number CA11837_LAURA-M-PIN

Family	Laura	FWHM	27 degrees
Type	Assembly	Efficiency	86 %
LED	Oslon Square EC	cd/lm	2.420
Color	White	Gerber File	Available
Diameter	21.6 mm		
Height	13.1 mm		
Style	Square		
Optic Material	PMMA		
Holder Material	PC		
Fastening	Pin, tape		
Status	Ready		


Ordering number CA12012_LAURA-O-PIN

Family	Laura	FWHM	39+14 degrees
Type	Assembly	Efficiency	81 %
LED	Oslon Square EC	cd/lm	3.820
Color	White	Gerber File	Available
Diameter	21.6 + 21.6 mm		
Height	13.1 mm		
Style	Square		
Optic Material	PMMA		
Holder Material	PC		
Fastening	Pin, tape		
Status	Ready		

Ordering number CA12344_LAURA-W-PIN

Family	Laura	FWHM	44 degrees
Type	Assembly	Efficiency	89 %
LED	Oslon Square EC	cd/lm	-
Color	White	Gerber File	Available
Diameter	21.6 + 21.6 mm		
Height	13.1 mm		
Style	Square		
Optic Material	PMMA		
Holder Material	PC		
Fastening	Pin, tape		
Status	Ready		

NOTE: The typical divergence will be changed by different color, chip size and chip position tolerance. The typical total divergence is the full angle measured where the luminous intensity is half of the peak value.

GENERAL INFORMATION

- Product series especially designed & optimized for Oslon Square EC series of LEDs.
- Special care taken to make light distribution as uniform as possible.
- Lens material optical grade PMMA with high UV and temperature resistance. Allows use of high current and temperature conditions.

Please find more information about used material from below:

http://ledil.fi/sites/default/files/Documents/Technical/Material/PMMA%20N%20UL94_Yellow%20Card.pdf

<http://ledil.fi/sites/default/files/Documents/Technical/Material/PMMA%20N%20PLEXIGLAS-Datasheet.pdf>

- Optic holder molded by high quality PC material (120 degrees of Celcius / 248 degrees of Fahrenheit).

D

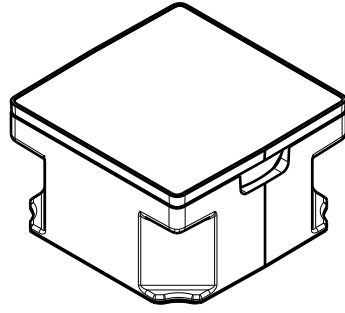
C

B

A

4

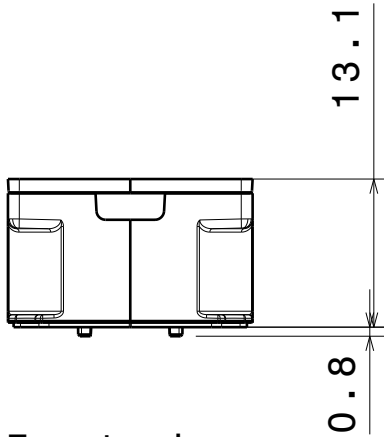
4



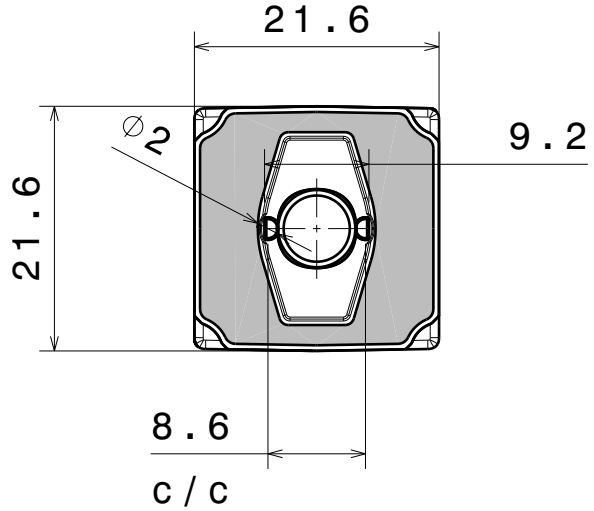
Isometric view

3

3



Front view



Bottom view

2

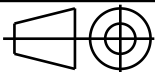
2

Tolerances if not otherwise shown
 According to DIN ISO 2768-1
 Linear measures:
 Up to 30mm class F, otherwise class M.
 According to DIN ISO 2768-2
 Form and position: class K



Ledil Oy
 Salorankatu 10
 FIN 24240 SALO
 Finland

THIRD ANGLE PROJECTION:



DRAWING TITLE

LAURA-WAS-PIN-TAPE

This drawing is the property
 of LEDiL Oy. It may not be
 reproduced, copied or
 communicated without a written
 agreement with LEDiL Oy."

SIZE	PART NUMBER
A4	-

SCALE	3:2	WEIGHT	-
-------	-----	--------	---

SHEET	1/1
-------	-----

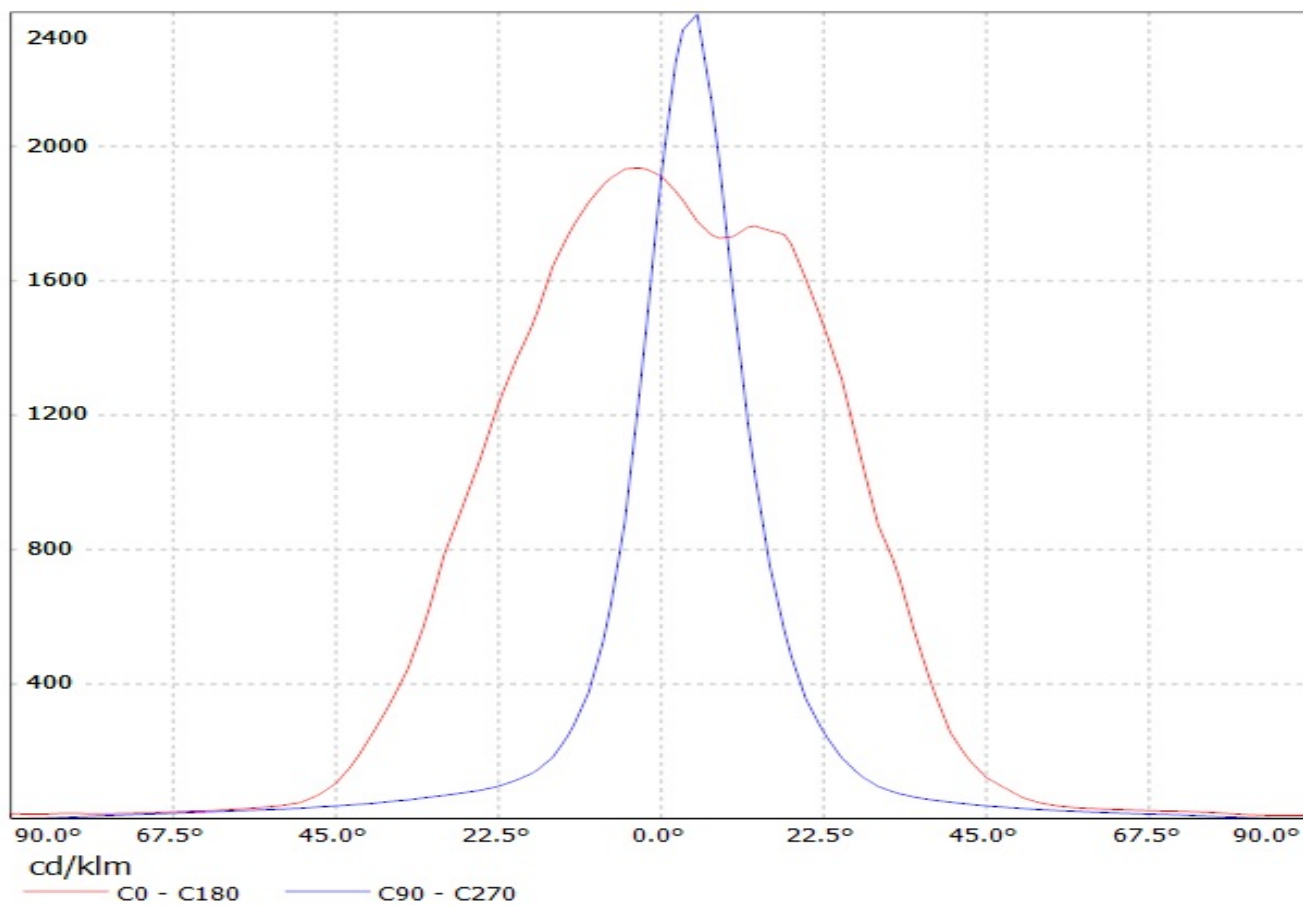
D

A

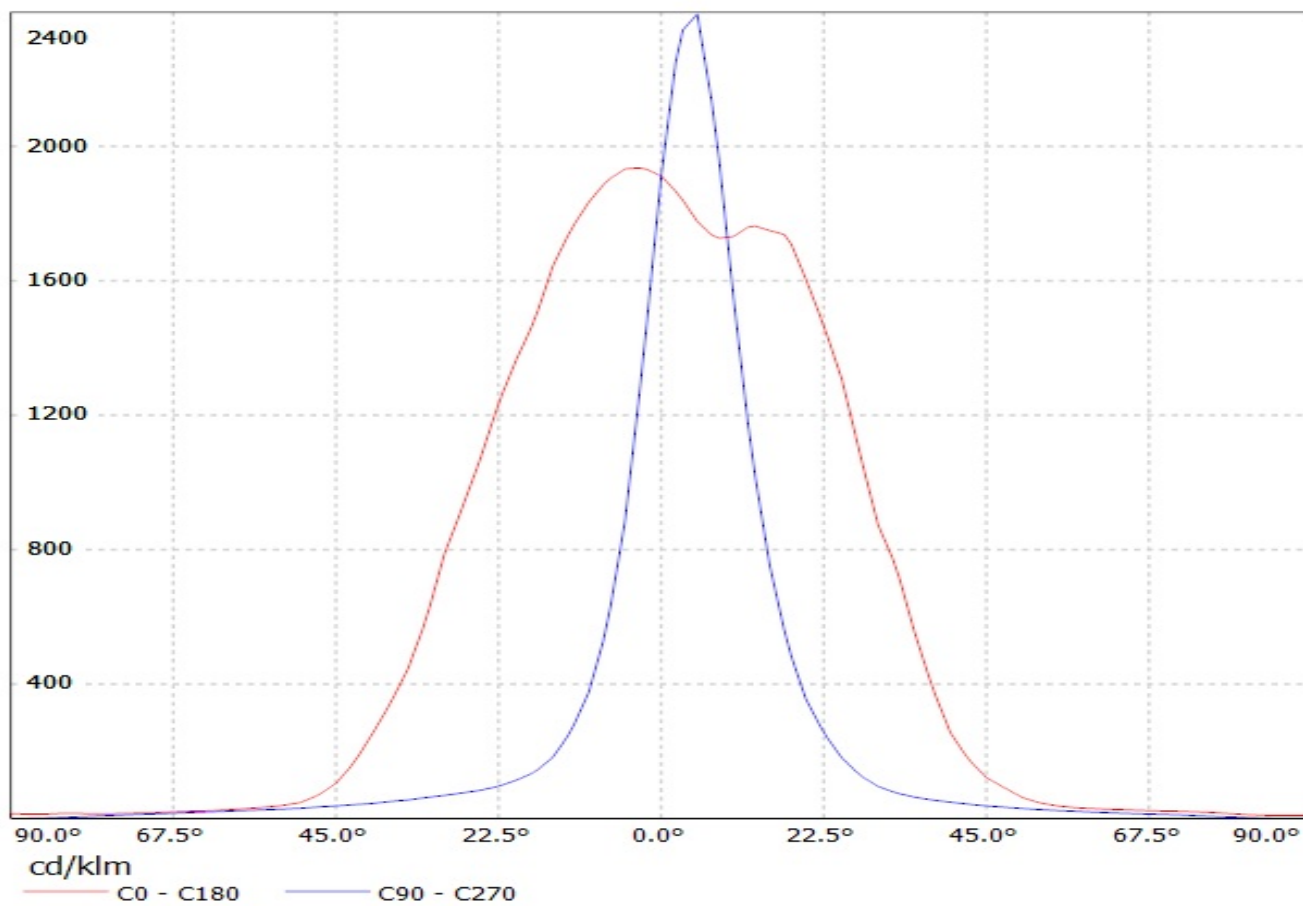
1

1

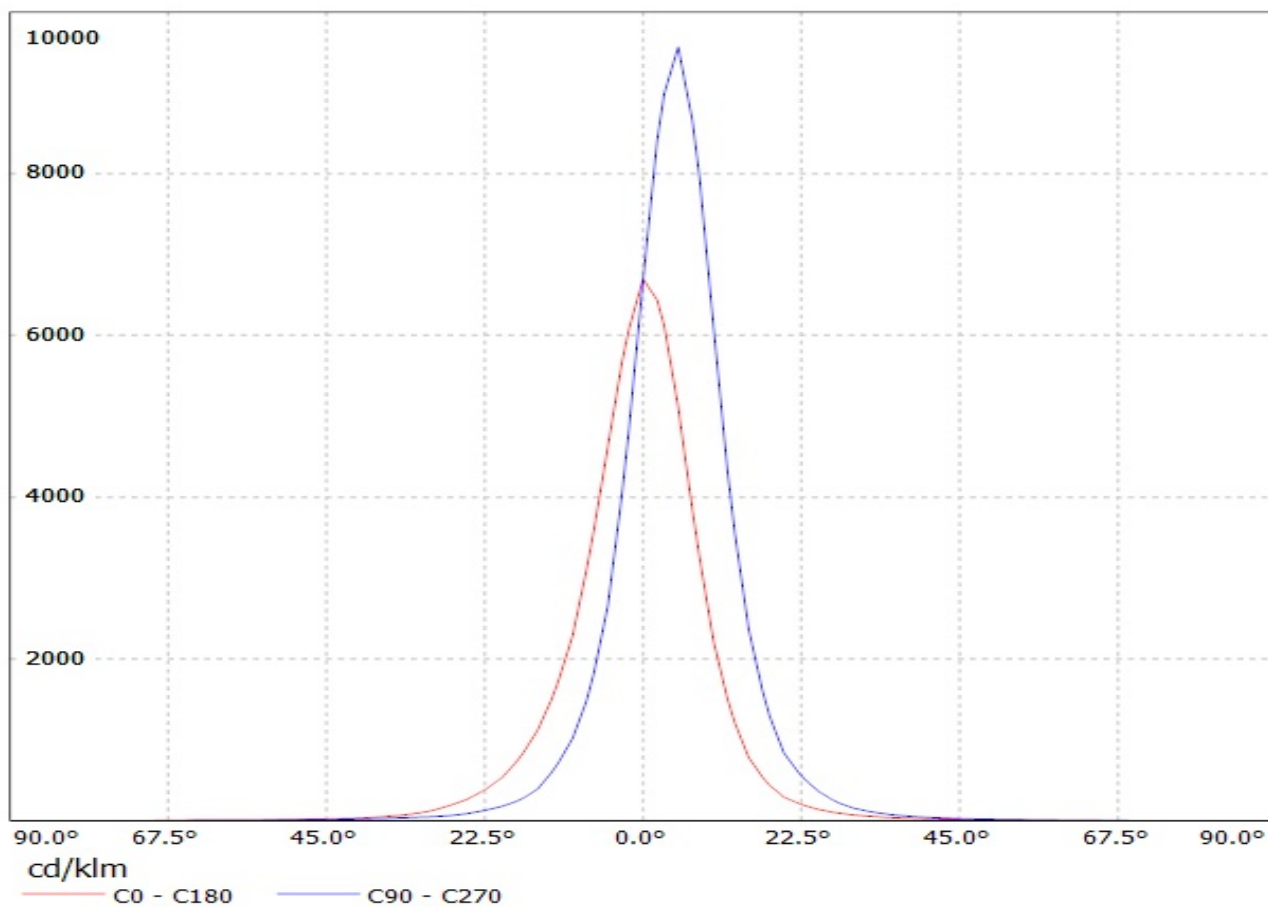
Luminaire: Ledil Oy CP13308&CA13307_LAURA-O-WAS (Osram Square EC 53lm @ 250mA) Efficiency=84%
Lamps: 1 x Osram Square EC 53lm @ 250mA



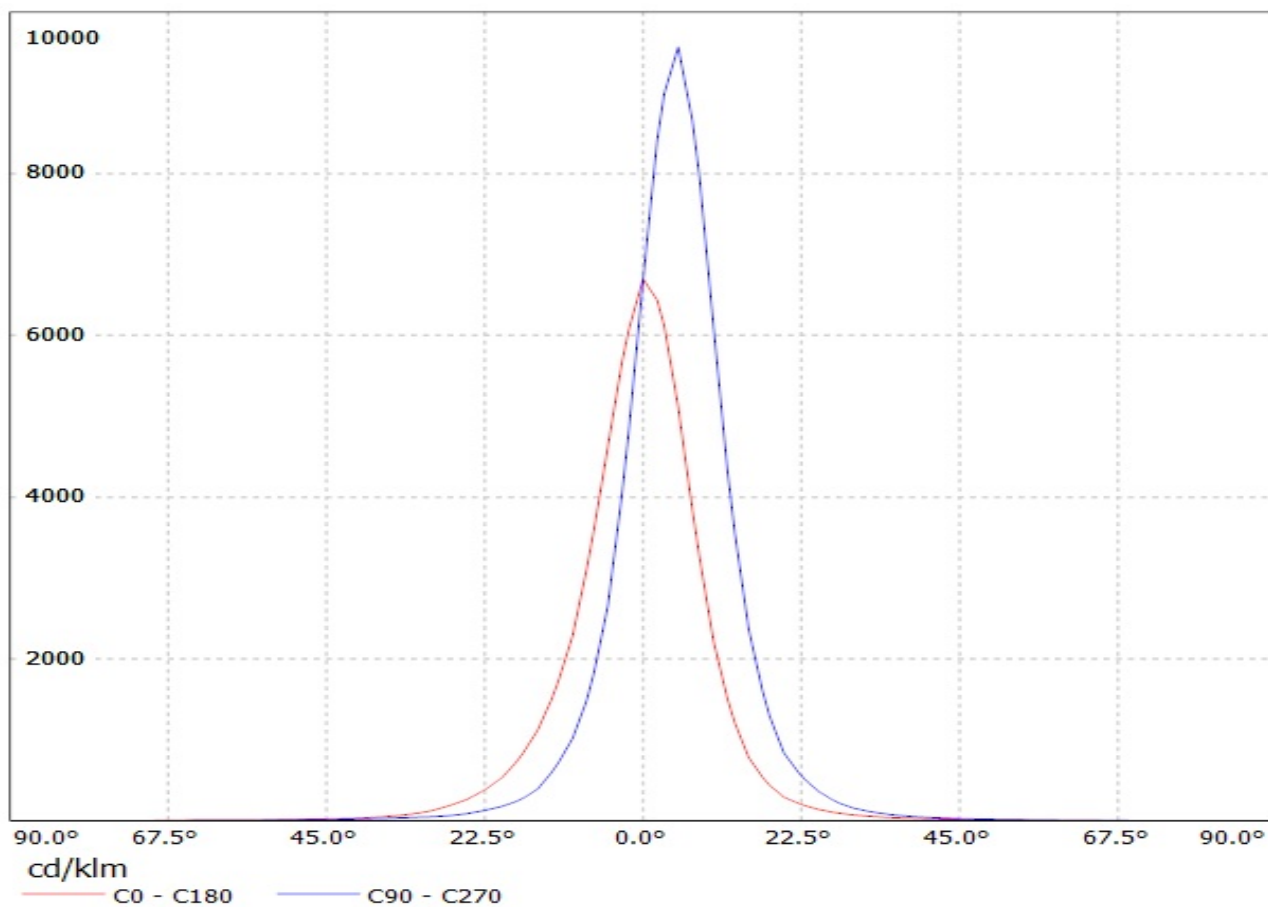
Luminaire: Ledil Oy CP13308&CA13307_LAURA-O-WAS (Osram Square EC 53lm @ 250mA) Efficiency=84%
Lamps: 1 x Osram Square EC 53lm @ 250mA



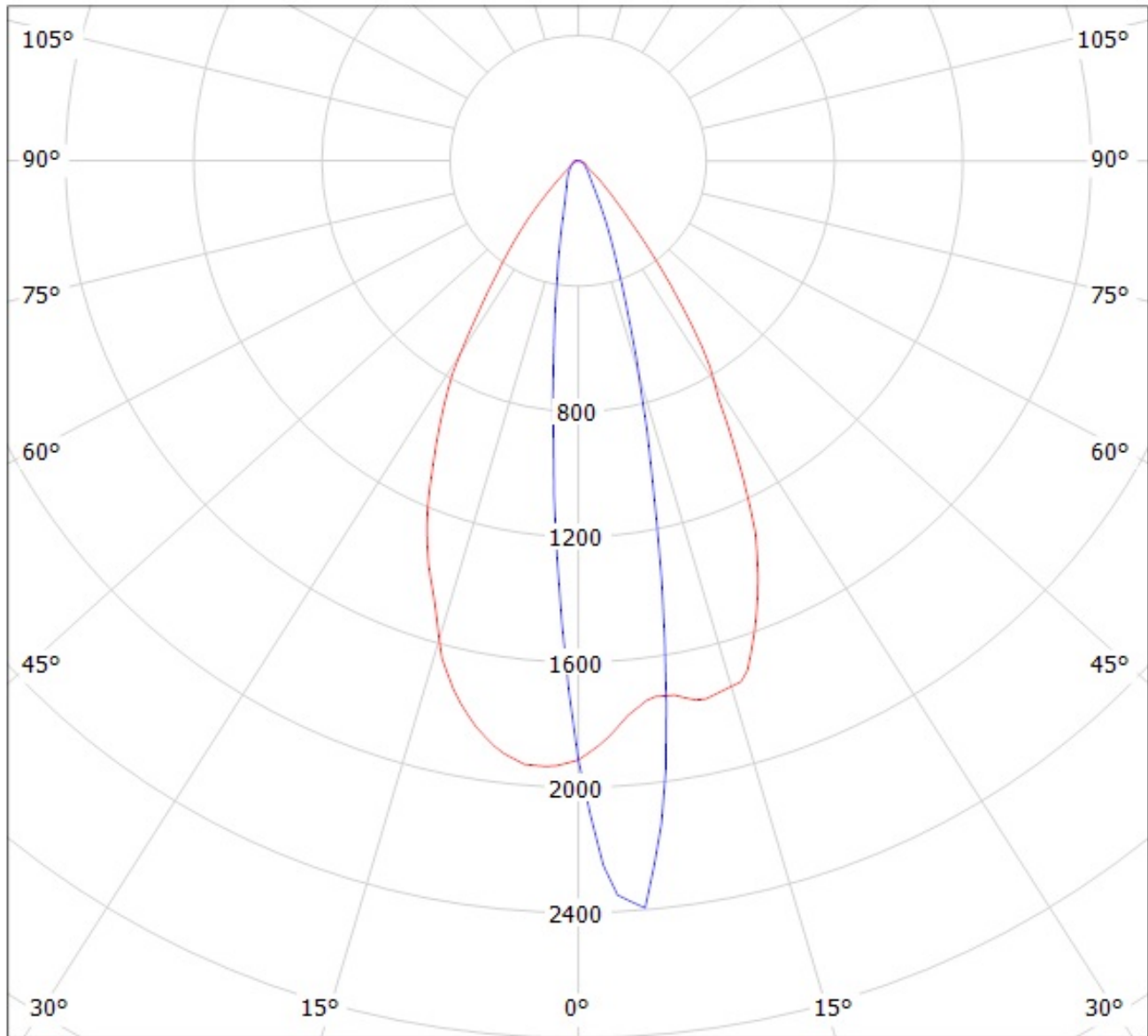
Luminaire: Ledil Oy CP13311&CA13312_LAURA-SS-WAS (Osram Square EC 63lm @ 250mA) Efficiency=90%
Lamps: 1 x Osram Square EC 63lm @ 250mA



Luminaire: Ledil Oy CP13311&CA13312_LAURA-SS-WAS (Osram Square EC 63lm @ 250mA) Efficiency=90%
Lamps: 1 x Osram Square EC 63lm @ 250mA



Luminaire: Ledil Oy CP13308&CA13307_LAURA-O-WAS (Osram Square EC 53lm @ 250mA) Efficiency=84%
Lamps: 1 x Osram Square EC 53lm @ 250mA

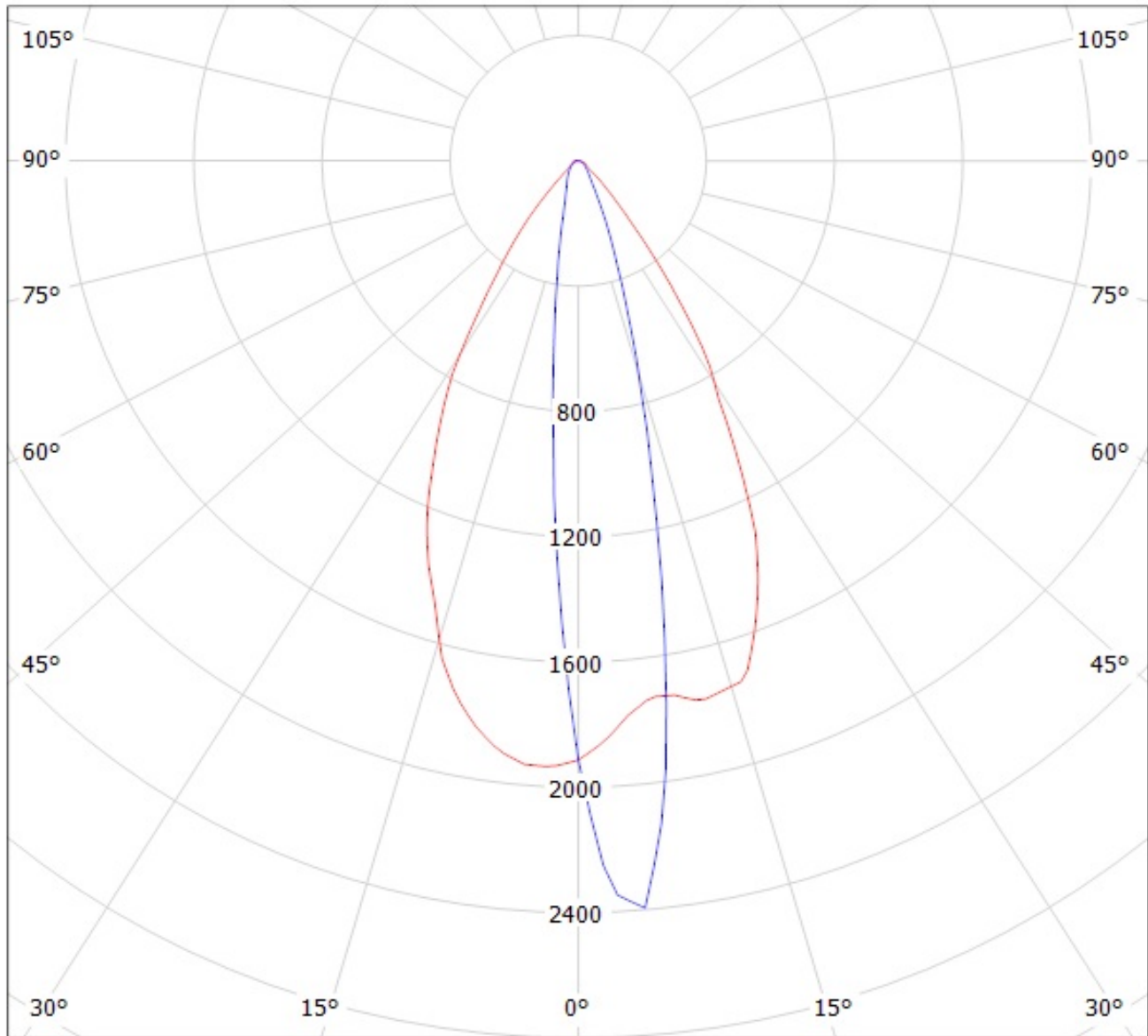


cd/klm

— C0 - C180

— C90 - C270

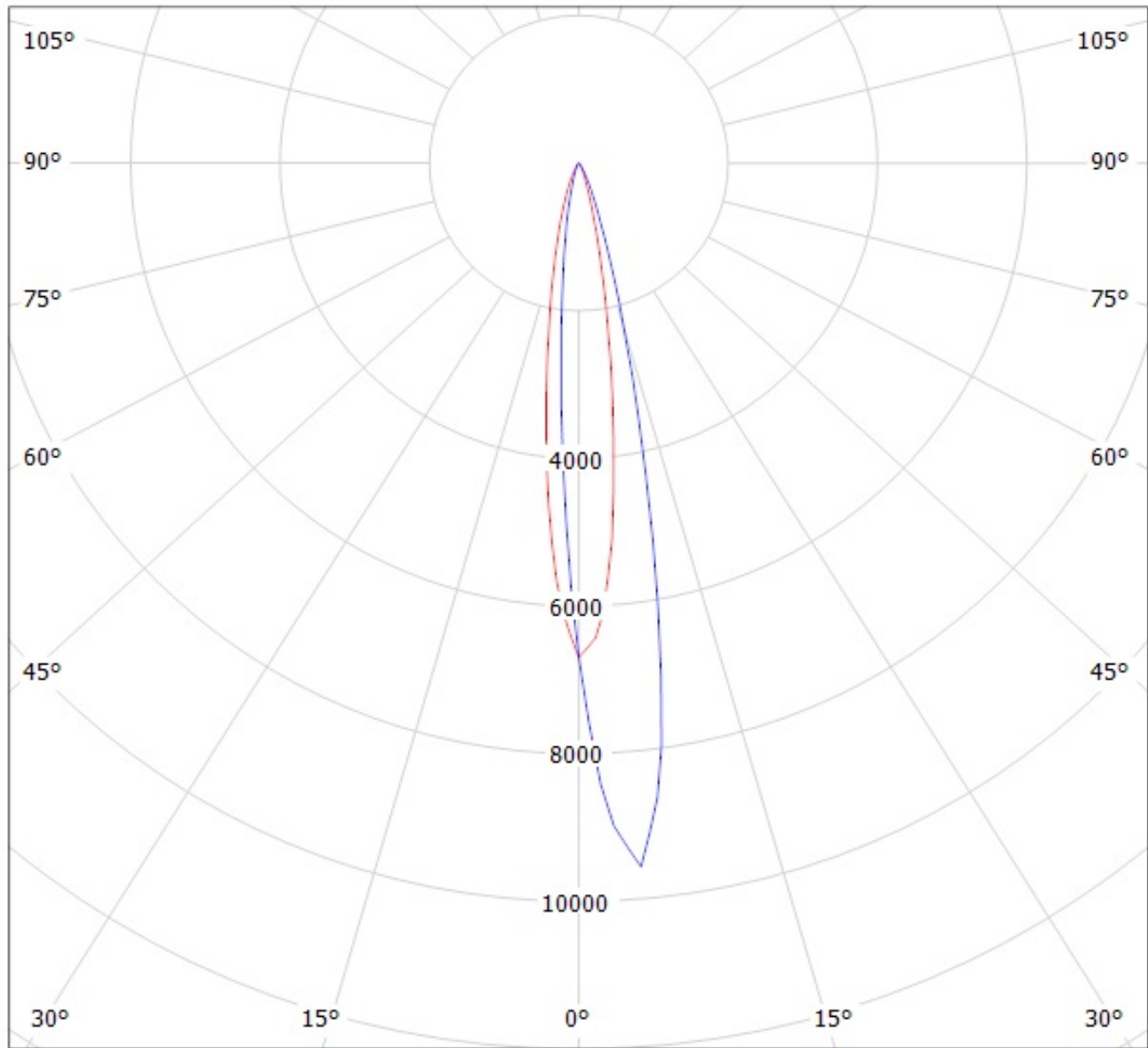
Luminaire: Ledil Oy CP13308&CA13307_LAURA-O-WAS (Osram Square EC 53lm @ 250mA) Efficiency=84%
Lamps: 1 x Osram Square EC 53lm @ 250mA



cd/klm

— C0 - C180 — C90 - C270

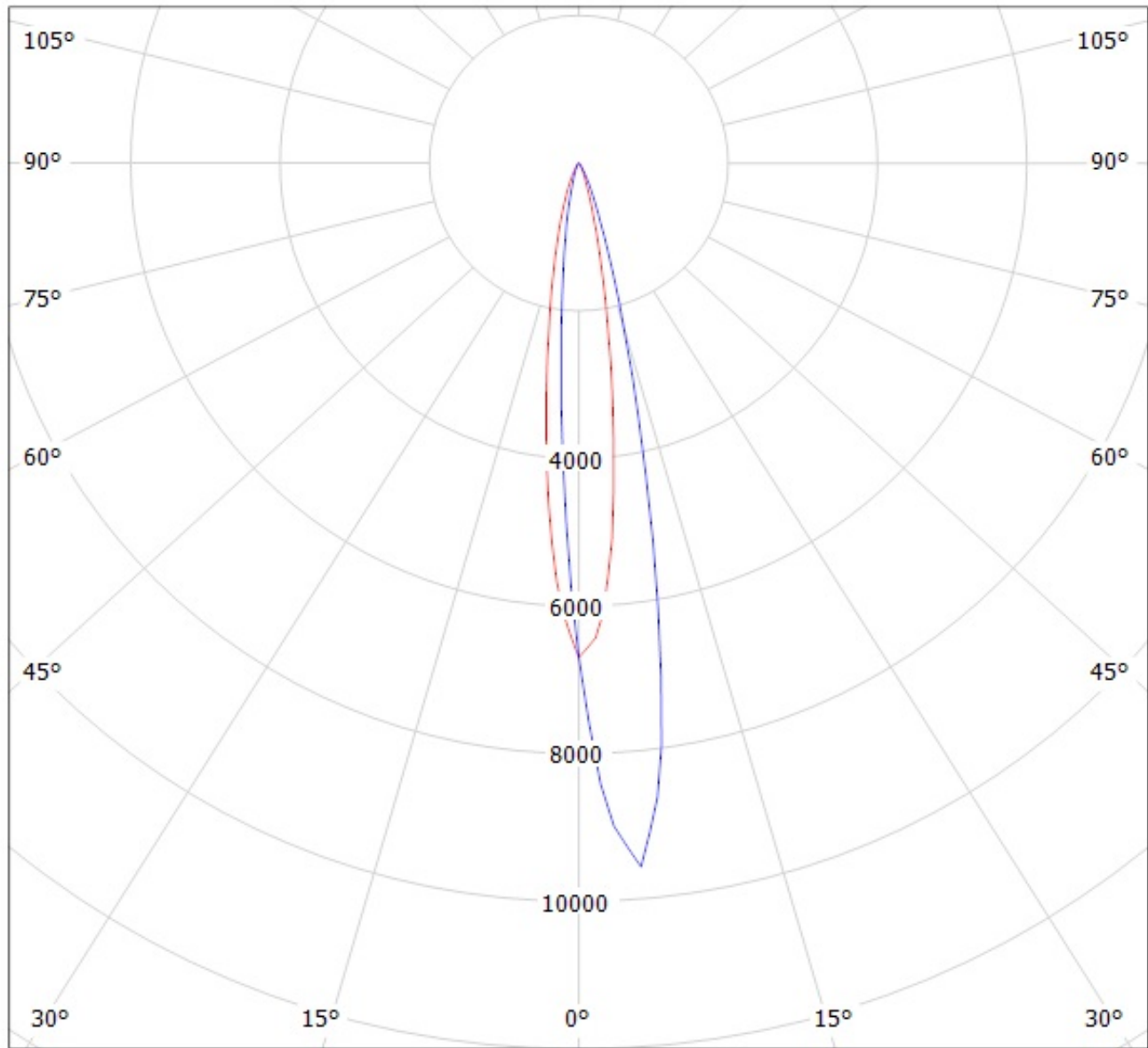
Luminaire: Ledil Oy CP13311&CA13312_LAURA-SS-WAS (Osram Square EC 63lm @ 250mA) Efficiency=90%
Lamps: 1 x Osram Square EC 63lm @ 250mA



cd/klm

— C0 - C180 — C90 - C270

Luminaire: Ledil Oy CP13311&CA13312_LAURA-SS-WAS (Osram Square EC 63lm @ 250mA) Efficiency=90%
Lamps: 1 x Osram Square EC 63lm @ 250mA



cd/klm

— C0 - C180 — C90 - C270