



- HVDC 120A at 450VDC
- Max. Switching current = 600A
- AgSnO₂ contacts sealed in inert gas
- Magnet arc blowout
- Auxiliary contact option
- Female M5 power terminals



Contacts

| | | |
|---------------------------------|--------------------|--------------------------|
| Contact arrangement | SPST-NO-DM | |
| Contact material | AgSnO ₂ | |
| Max. switching voltage | AC/DC | 900VDC |
| Rated load (resistive, cos φ=1) | DC1 | 120A 450VDC |
| Max. continuous thermal current | 600s | 140A |
| | 60s | 180A |
| Max switching current | 1 time only | 600A 450VDC |
| Initial contact resistance | max. | 1mΩ (at 1A) |
| Auxiliary contact when fitted | arrangement | SPST-NO (1 Form A) |
| | max. current | 2A @ 30VDC / 3A @ 125VAC |
| | min. current | 100mA @ 8V |

Coil

| | | |
|----------------------------|------|---------------|
| Rated voltage (see page 2) | DC | 6~72VDC |
| Rated power consumption | hold | 5.54W @ 12VDC |

Insulation

| | | |
|-----------------------|--------------------|---------------------------------------|
| Insulation resistance | initial | 100MΩ (min.) |
| | life end | 50MΩ (min.) |
| Dielectric strength | coil to contact | 2500Vrms / 1mA / 1 min (at sea level) |
| | contact to contact | 2500Vrms / 1mA / 1 min (at sea level) |

General Data

| | | |
|----------------------|--|------|
| Operate time at 20°C | max. | 25ms |
| Bounce time at 20°C | max. | 7ms |
| Release time at 20°C | max. | 12ms |
| Electrical life | Voltage and current dependent - see fig. 1 | |
| Mechanical life | 1 x 10 ⁶ | |

Environmental

| | | |
|----------------------|------------------------------|---|
| Ambient temperature | operating | -40 to +85°C |
| Relative humidity | 5 to 85%RH | |
| Shock resistance | 20G peak, 11ms 1/2 sine | |
| Vibration resistance | 20G sine peak (80 to 2000Hz) | |
| Dimensions | L x W x H | 40 x 53.86 (over flanges) x 59.07 (approx.) |
| Weight | approx. | 190g ±5g |

Ordering Code

D E V R 1 0 - 5 0 6 1 - S 8 - 1 0 2 4 - R 1

Series

Coil code:

See table 1

Contact material

50: AgSnO₂

Contact arrangement

61: SPST-NO*

71: SPST-NO* + auxiliary

81: SPST-NO

* Polarised - see page 2

Mounting & terminations

Bottom flange mounting base

S8: M5 Female power terminals

Coil & auxiliary contacts by flying leads

Coil wire length

R: 14.96" (380mm)

T: 5.9" (150mm)

Coil wire & auxiliary contact termination

1: None

2: Yazaki 7282-5558-10 Male

3: Molex mini-fit female

Other terminations to special order

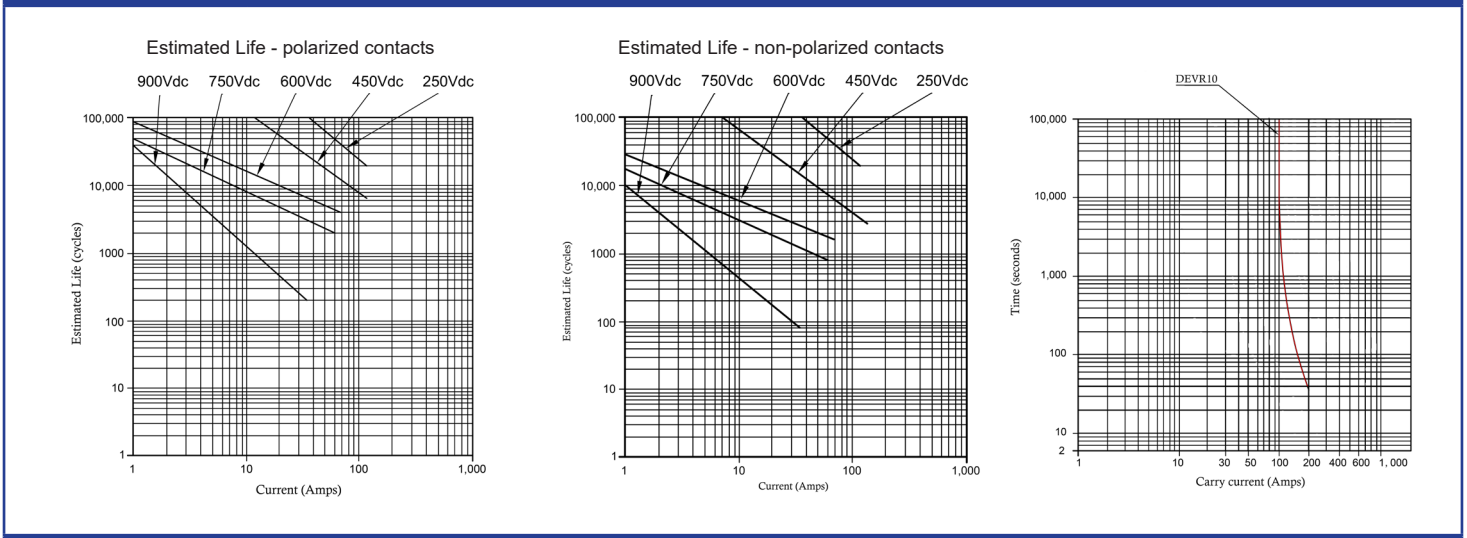
Coil Data

Table 1

| Coil code | Nominal voltage (VDC) | Must operate voltage max. (VDC@ 20°C) | Max. allowable voltage (VDC) | Must release voltage min. (VDC) | Coil resistance $\Omega \pm 5\%$ (at 20°C) | Coil Current (mA) | Coil power (W @ 20°C) |
|-----------|-----------------------|---------------------------------------|------------------------------|---------------------------------|--|-------------------|-----------------------|
| 1006 | 6 | 4.5 | 6.6 | 0.6 | 6.3 | 952.4 | 5.71 |
| 1012 | 12 | 9.0 | 13.2 | 1.2 | 26.0 | 461.5 | 5.54 |
| 1024 | 24 | 18.0 | 26.4 | 2.4 | 96.4 | 249.0 | 5.98 |
| 1028 | 28 | 21.0 | 30.8 | 2.8 | 136.0 | 205.9 | 5.76 |
| 1036 | 36 | 27.0 | 39.6 | 3.6 | 227.0 | 158.6 | 5.71 |
| 1048 | 48 | 36.0 | 52.8 | 4.8 | 392.0 | 122.5 | 5.88 |
| 1072 | 72 | 54.0 | 79.2 | 7.2 | 868.0 | 83.0 | 5.97 |

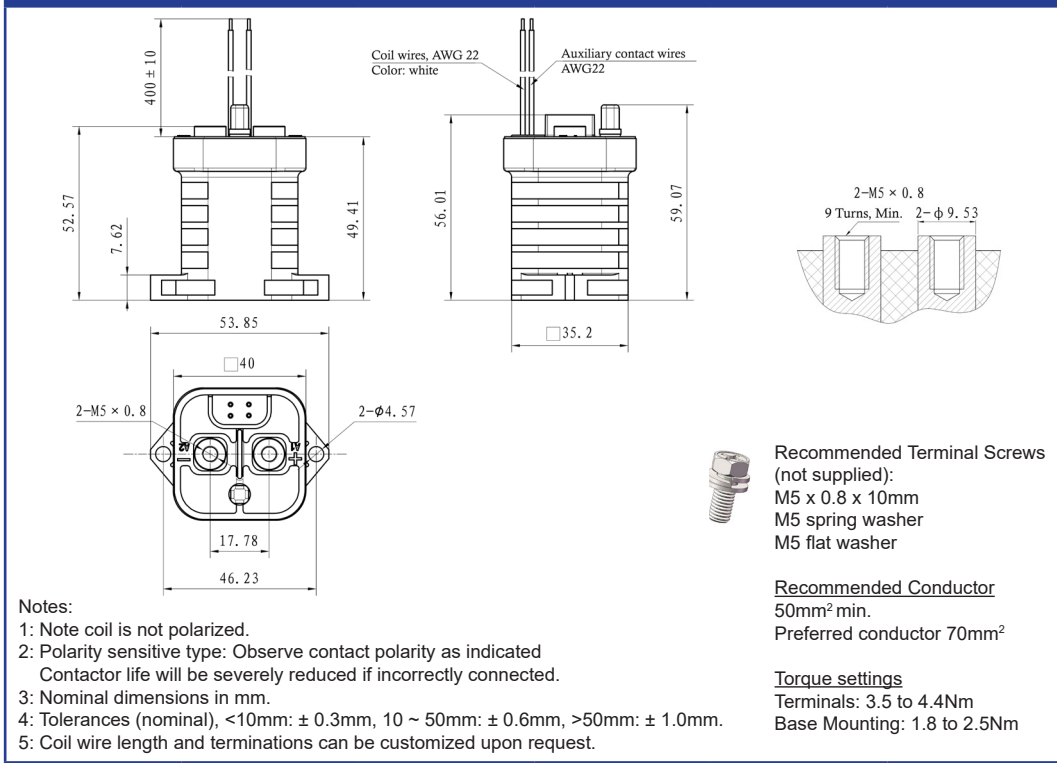
Electrical Performance

Fig. 1



Dimensions (mm)

Fig. 2



- Notes:
- Note coil is not polarized.
 - Polarity sensitive type: Observe contact polarity as indicated. Contactor life will be severely reduced if incorrectly connected.
 - Nominal dimensions in mm.
 - Tolerances (nominal), <10mm: ± 0.3mm, 10 ~ 50mm: ± 0.6mm, >50mm: ± 1.0mm.
 - Coil wire length and terminations can be customized upon request.

Recommended Terminal Screws
(not supplied):
M5 x 0.8 x 10mm
M5 spring washer
M5 flat washer

Recommended Conductor
50mm² min.
Preferred conductor 70mm²

Torque settings
Terminals: 3.5 to 4.4Nm
Base Mounting: 1.8 to 2.5Nm

Circuit Diagram

Fig. 3

