

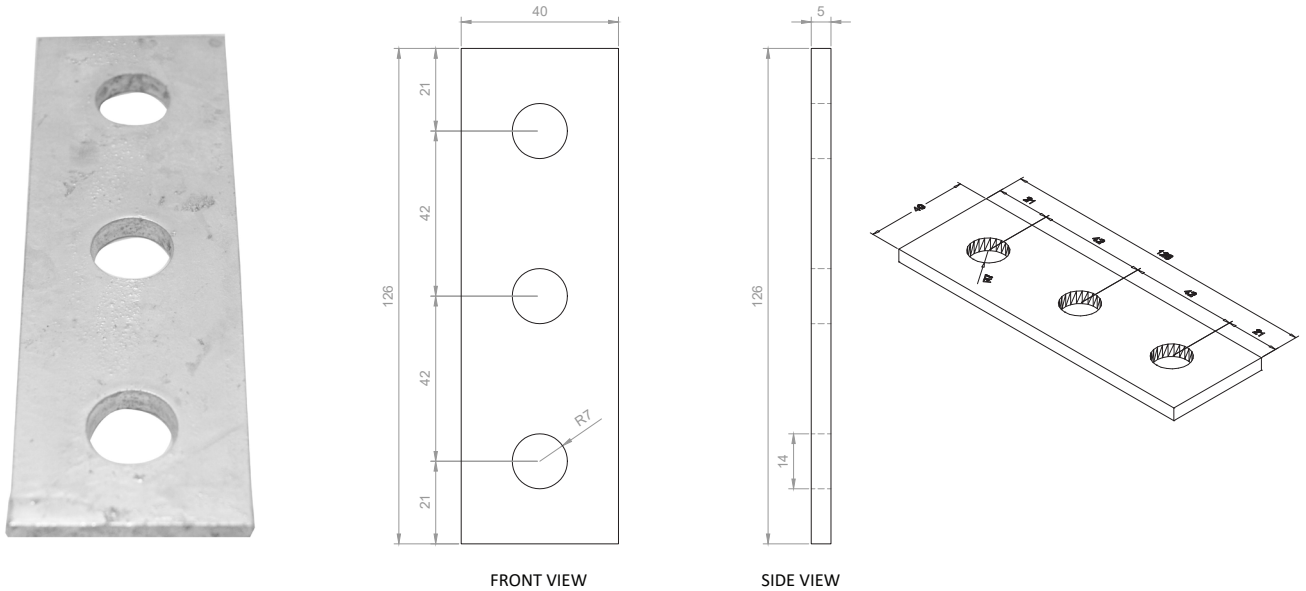
Datasheet

Flat Plate Hole Bracket 3 Hot Dipped Galvanised

RS Stock No 1766922

Size **40mm x 126mm**

Usually used to join two pieces of Channel/Strut together, in conjunction with Channel Nuts.



Please view our full range listing below

RS Stock No	Size (mm)
1766912	40 x 84 (2 hole bracket)
1766922	40 x 126 (3 hole bracket)
1766923	40 x 168 (4 hole bracket)
1766920	80 x 80 (L3 hole bracket)
1766924	80 x 120 (T4 hole bracket)