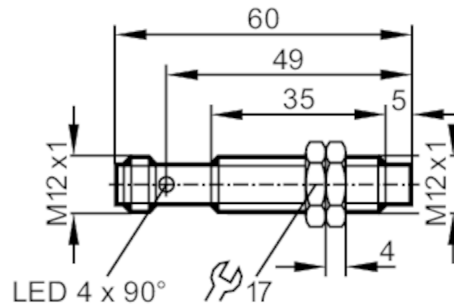


# IF5937



## Inductive sensor

IFK2007-FRKG/M/2LED/US-104-IRF



### Electrical data

Operating voltage	[V]	10...36 DC
Protection class		II
Reverse polarity protection		yes

### Outputs

Output function		normally open / normally closed; (selectable)
Max. voltage drop switching output DC	[V]	4.6
Minimum load current	[mA]	4
Max. leakage current	[mA]	1
Permanent current rating of switching output DC	[mA]	100
Switching frequency DC	[Hz]	500
Electrical design		PNP/NPN
Short-circuit protection		yes
Type of short-circuit protection		pulsed
Overload protection		yes

### Range

Sensing range	[mm]	7
Real sensing range $S_r$	[mm]	$7 \pm 10\%$
Operating distance	[mm]	0...5.7
Increased sensing range		yes

### Accuracy / deviations

Correction factor		steel: 1 / stainless steel: 0.7 / brass: 0.5 / aluminium: 0.5 / copper: 0.4
Hysteresis	[% of $S_r$ ]	1...20
Switch point drift	[% of $S_r$ ]	-10...10

### Operating conditions

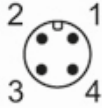
Ambient temperature	[°C]	-25...70
Protection		IP 68; ("Coolant")

# IF5937



## Inductive sensor

IFK2007-FRKG/M/2LED/US-104-IRF

Tests / approvals		
EMC	EN 61000-4-2 ESD	4 kV CD / 8 kV AD
	EN 61000-4-3 HF radiated	10 V/m
	EN 61000-4-4 Burst	2 kV
	EN 61000-4-5 Surge	0,5 kV line to line, Ri: 2 Ohm
	EN 61000-4-6 HF conducted	10 V
	EN 55011	class B
MTTF	[years]	1320
Mechanical data		
Weight	[g]	26.8
Housing		threaded type
Mounting		non-flush mountable
Dimensions	[mm]	M12 x 1 / L = 60
Thread designation		M12 x 1
Materials		brass white bronze coated; sensing face: PBT orange
Displays / operating elements		
Display	switching status	4 x 90° LED, yellow
	setting aid	1 x LED, red
Optical setting aid		yes
Accessories		
Accessories (supplied)		lock nuts: 2
Remarks		
Pack quantity		1 pcs.
Electrical connection - plug		
Connector: 1 x M12; Contacts: gold-plated		
		

# IF5937



## Inductive sensor

IFK2007-FRKG/M/2LED/US-104-IRF

normally open

