

**VALVE PLUG SUPPRESSOR FORM A - 18MM**

RC and LED, 110VAC/DC/25VA/W

Art.No.: 3124072

Weight: 0.042

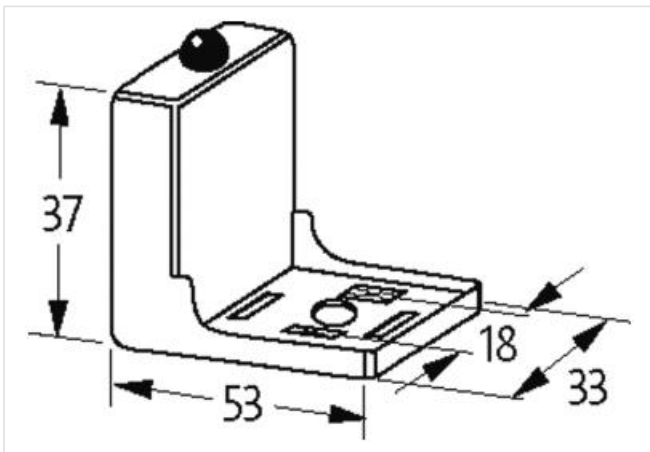
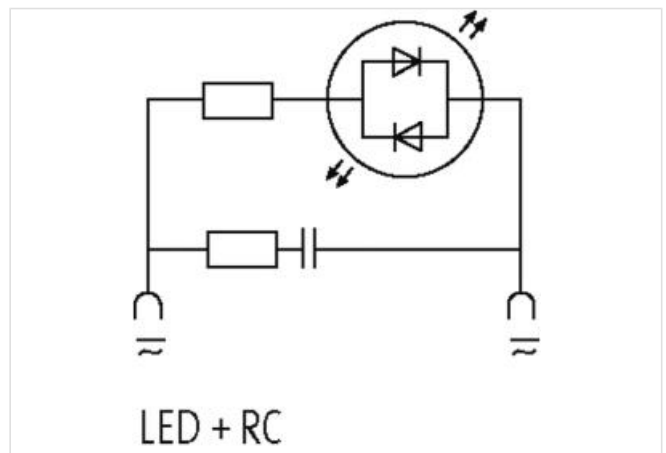
Country of origin: CZ

Model designation: VBS-LEDY+RC 047/110 U

110 V AC/DC

RC + LED

Remove plug gasket when fitting adapter. Other LED colors on request.

[Link to Product](#)**Illustration**

Product may differ from Image

**Commercial data**

ECLASS-6.0	27371013
ECLASS-6.1	27371013
ECLASS-7.0	27371013
ECLASS-8.0	27371013

ECLASS-9.0	27371013
ECLASS-10.1	27371013
ECLASS-11.1	27371013
ECLASS-12.0	27371013
ETIM-5.0	EC000197
customs tariff number	85363010
GTIN	4048879012119
Packaging unit	1

**Electrical data**

Drop-out delay time max.	20 ms
Holding power max.	25 W

**Electrical data | Supply**

Cut-off peak voltage max.	250 V
---------------------------	-------

**Electrical data | Input**

Input voltage AC min.	48 V
Input voltage AC max.	150 V
Input voltage DC min.	48 V
Input voltage DC max.	150 V

**Diagnostics**

Status indication LED	yellow
-----------------------	--------

**Device protection | Media**

Flame resistance	flame retardant
------------------	-----------------

**Mechanical data | Material data**

Coating contact	silver-plated
Color housing	black
Material housing	PA
Material contact	Bronze

**Mechanical data | Mounting data**

Height	37 mm
Width	53 mm
Depth	33 mm

**Environmental characteristics | Climatic**

Operating temperature min.	-20 °C
Operating temperature max.	60 °C
Housing temperature max. (EN 61347-2-13)	130 °C