

**Ordering number C12083\_BROOKE-SCR-M**

Family	Brooke	FWHM	31 degrees
Type	Reflector	Efficiency	92 %
LED	CXA2011	cd/lm	1.670
Color	Metal	Gerber File	Available
Diameter	45 mm		
Height	20.2 mm		
Style	Round		
Optic Material	PC		
Holder Material	-		
Fastening	Screw, glue		
Status	Ready		

**Ordering number C12084\_BROOKE-SCR-W**

Family	Brooke	FWHM	47 degrees
Type	Reflector	Efficiency	92 %
LED	CXA2011	cd/lm	1.030
Color	Metal	Gerber File	Available
Diameter	45 mm		
Height	20.2 mm		
Style	Round		
Optic Material	PC		
Holder Material	-		
Fastening	Screw, glue		
Status	Ready		

**NOTE: The typical divergence will be changed by different color, chip size and chip position tolerance. The typical total divergence is the full angle measured where the luminous intensity is half of the peak value.**



## PRODUCT DATASHEET

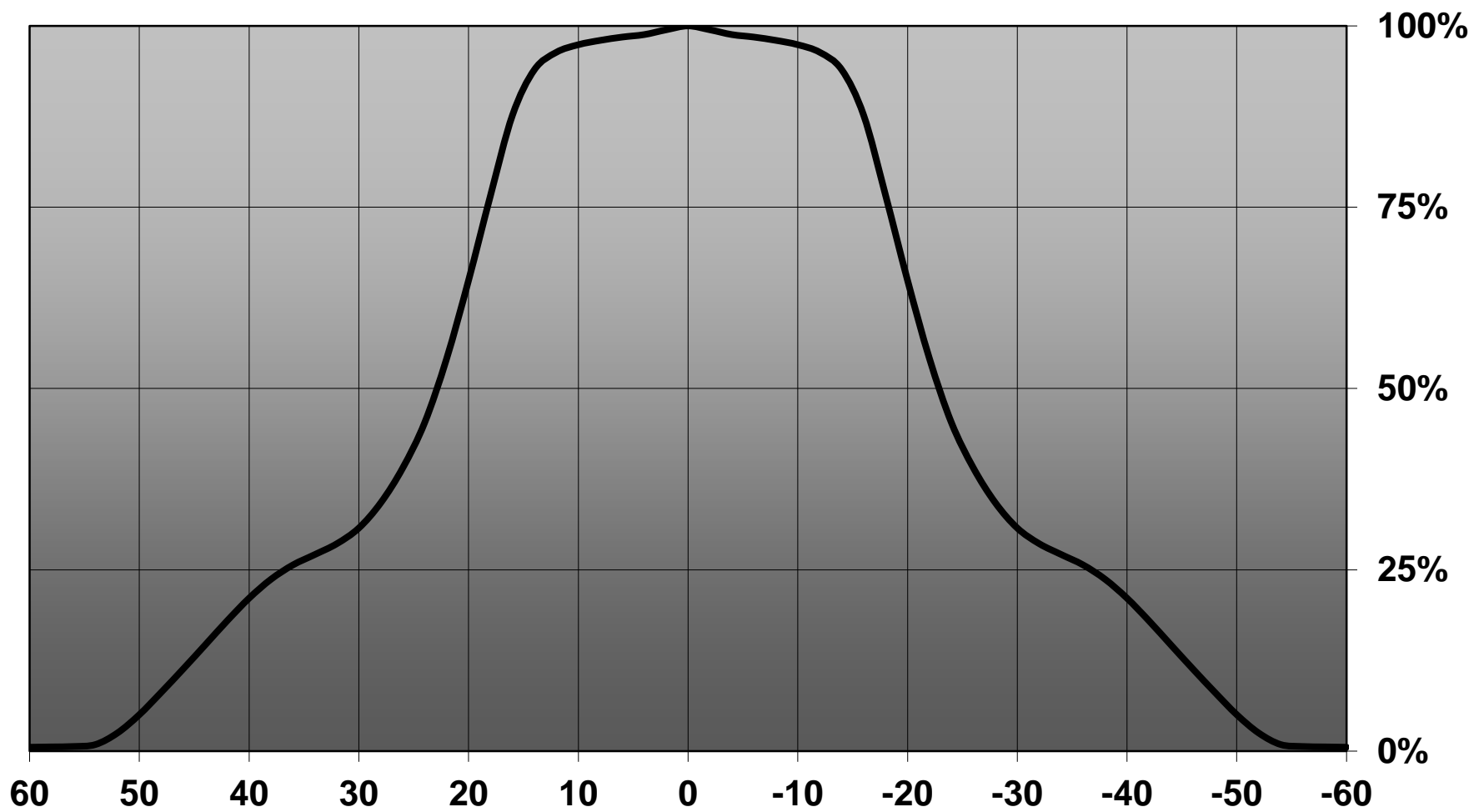
### Brooke series

last update 29/1/2013

#### GENERAL INFORMATION

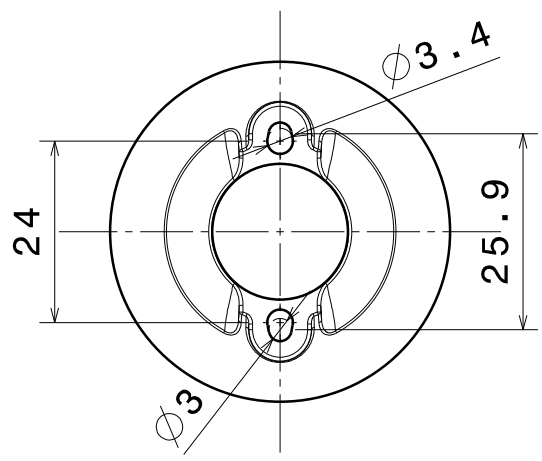
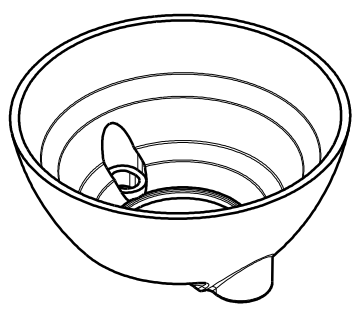
- Product series especially designed & optimized for CXA2011 series of LEDs.
- Special care taken to make light distribution as uniform as possible.
- Reflector is made of aluminium coated PC (120 degrees of Celcius / 248 degrees of Fahrenheit) with protective lacquer (110 degrees of Celcius / 230 degrees of Fahrenheit).

Relative intensity of C12084\_Brooke-SCR-W\_Cree CXA20



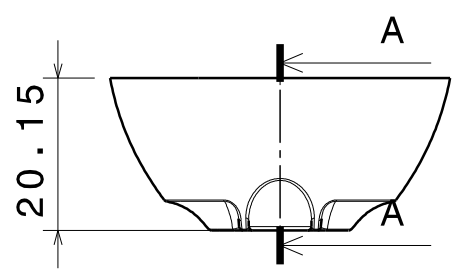
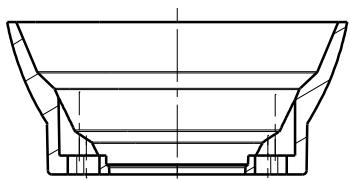
D C B A

4



4

3



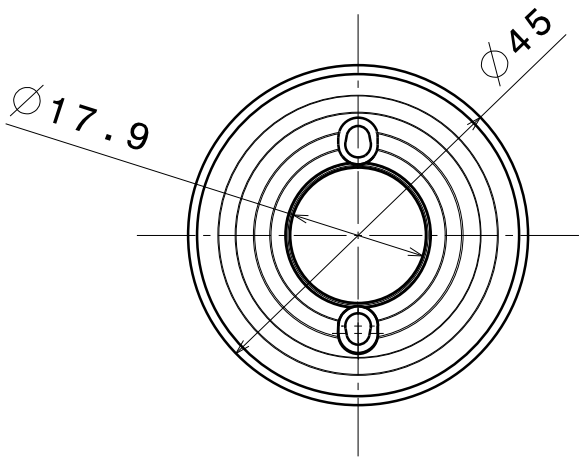
3

2

Assemblies:  
 C12082\_Brooke-SCR-S  
 C12083\_Brooke-SCR-M  
 C12084\_Brooke-SCR-W

Material:  
 - PC, white  
 - Metal coating

Tolerances:  
 Dimensions +/- 0,1 if not otherwise shown.



2

1

This drawing is our property.  
 It can't be reproduced  
 or communicated without  
 our written agreement.



Ledil Oy  
 Tehdaskatu 13  
 FIN-24100 SALO  
 Finland

DRAWING TITLE

Datasheet Brooke-SCR Reflector

DRAWN BY  
ah

DATE  
17.05.2011

CHECKED BY

DATE

SIZE  
A4

DRAWING NUMBER  
C1208x

REV  
1

DESIGNED BY  
pl

DATE  
04.04.2011

SCALE 1:1

WEIGHT (g)

SHEET 1/1

D A