

ELECTRONIC HYGROSTAT

EFL 012 | 12 TO 48 VDC



- > Large setting range
- > Small hysteresis
- > Optical operating display (LED)
- > Change-over contact
- > Signal application

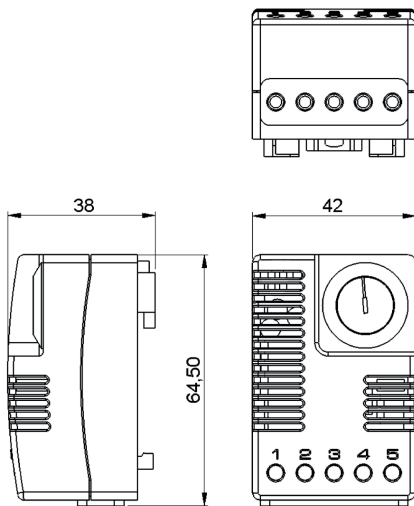
The electronic hygrostat registers the surrounding relative humidity and can switch a signal current via its internal relay with a potential-free change-over contact. Signal-processing devices can be controlled directly with the EFL 012. In order to control heating and cooling equipment, filter fans and signal devices the switch module SM 010 or a similar device is needed. The LED integrated in the adjustment knob shows the closed status of the contact 1-2. When relative humidity drops contact 1-2 opens and the LED turns off. In currentless state (no supply voltage) contact 1-2 opens.



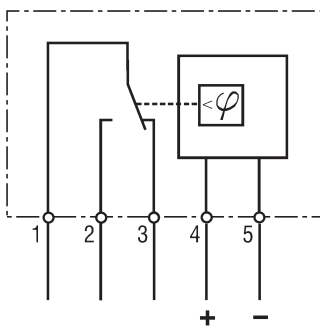
TECHNICAL DATA

Switch difference	5% RH ($\pm 3\%$ RH tolerance) at +25°C (+77°F), 50% RH
Reaction time	approx. 5 sec.
Contact type	change-over contact (relay)
Service life	>100.000 cycles (at 10mW)
Max. switching current (relay output)	DC 0.5A at 48VDC
Min. switching capacity	DC 10mW (at 0.1V, 100mA or 1mA, 10V)
Optical indicator	LED
Connection	5-pole terminal, clamping torque 0.5Nm max.: rigid wire/stranded wire ¹ 2.5mm ² (AWG 14)
Mounting	clip for 35mm DIN rail, EN 60715
Casing	plastic according to UL94 V-0, light grey
Dimensions	64.5 x 42 x 38mm
Weight	approx. 70g
Fitting position	vertical
Operating/Storage temperature	0 to +60°C (+32 to +140°F) / -20 to +70°C (-4 to +158°F)
Operating/Storage humidity	max. 90% RH (non-condensing)
Protection type	IP20

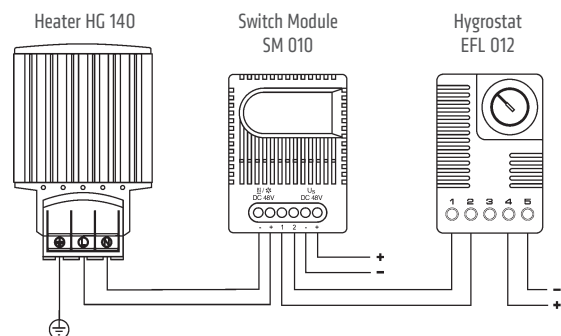
¹ When connecting with wires, wire end ferrules must be used.



Connection diagram



Example of connection



Art. No.	Operating voltage	Setting range	Approvals
01245.2-00	12-48VDC (min. 10VDC, max. 60VDC)	40 to 90% RH	UL File no. E164102 EAC VDE submitted