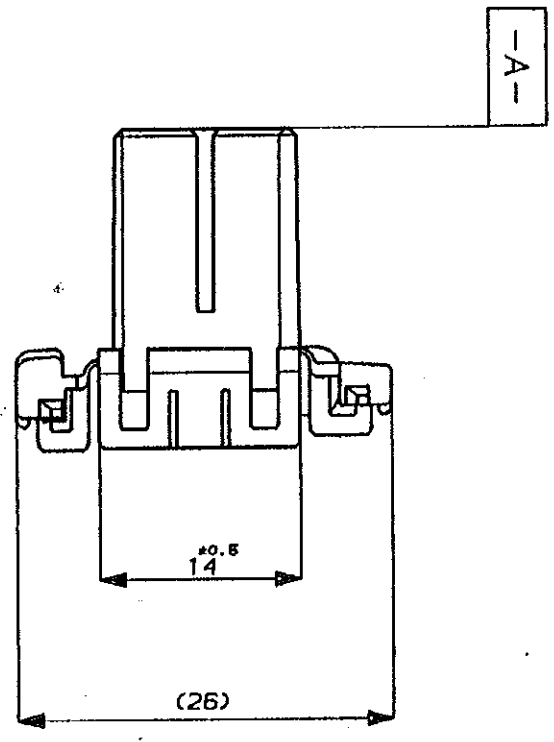
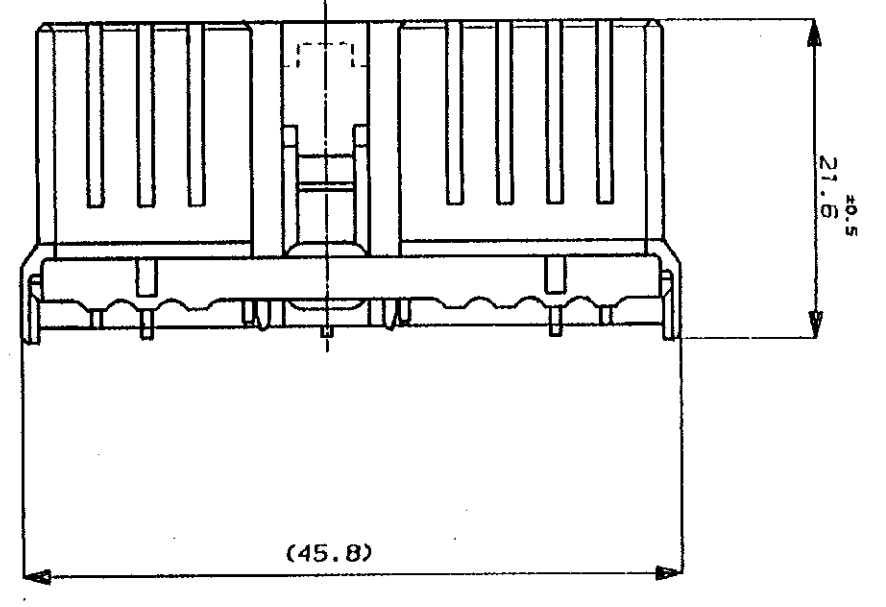
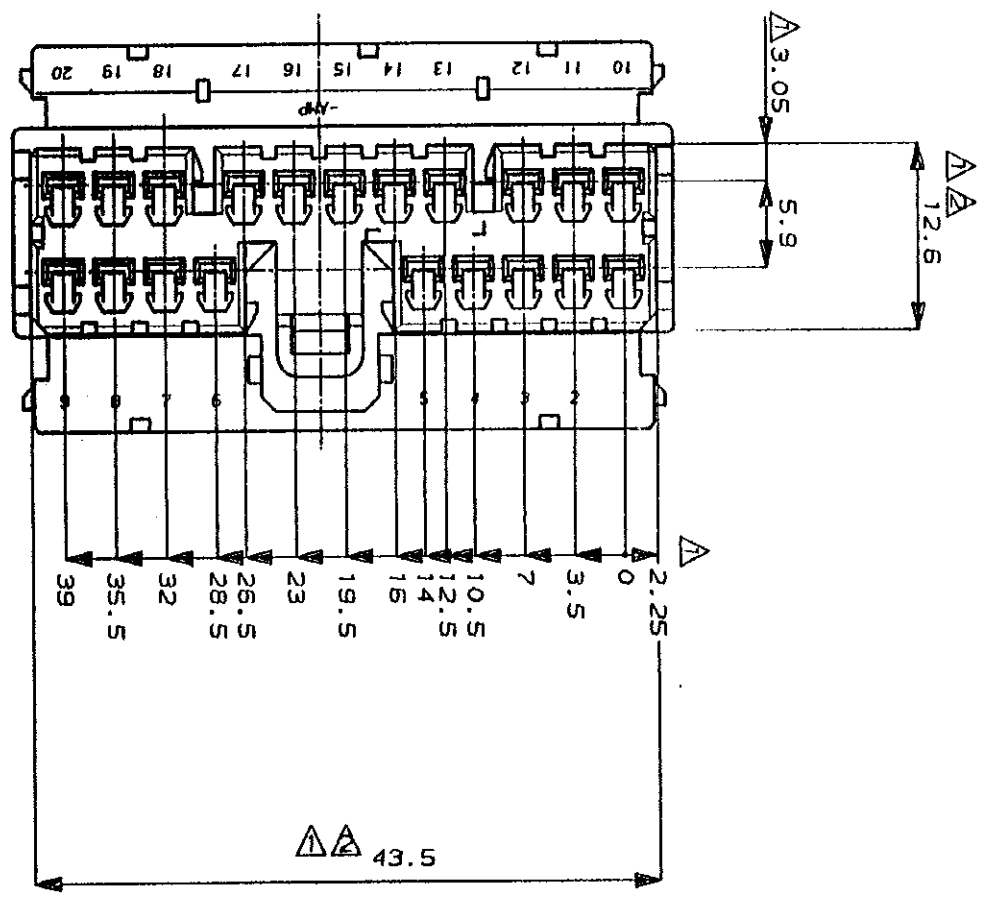


DIMENSIONS IN MILLIMETERS. DO NOT SCALE PRINT



注：  
 △ A-A面より2mmの範囲で測定。  
 △ 相手ハコソケットと所定の機能を確認して嵌合できること。  
 3. 内装するリセクタコネクタ型番173630, 173631。  
 4. 嵌合相手ハコソケット型番174936他

NOTE:  
 △ MUST BE KEPT BETWEEN A-A AND 2.  
 △ TO BE MATED WITH THE CAP HSG SMOOTHLY.  
 3. APPLIED RECEPTACLE CONTACT P/N, 173630, 173631.  
 4. APPLIED CAP HSG P/N, 174936 etc.

WHITE	1-174952-1
YELLOW	174952-7
GRAY	174952-6
BLUE	174952-5
GREEN	174952-4
WHITE	174952-1
色 (COLOR)	型番 (P/N)

E	色追加	J-0114	VF	AT	5/1	7/24	10/18
D	変更	REVICEDJ-12993	T.S.K.A		5/1		
C	変更	REVICEDJ-12758	AN	KA	10/18		
B	変更	REVICEDJ-12377	TS	MO	3/9		
A	再作成	J-10855	NA	SI	7/4	7/4	7/4
LTR	REVISION RECORD		DR	CHK	DATE	CHK.	DATE

Copyright ©1989 AMP Japan, LTD. ALL RIGHTS RESERVED.  
 Copyright ©1989 AMP (JAPAN), LTD. Tokyo, Japan  
 INSULATION DIA. 0.70mm  
 MATERIAL PBT  
 DR. N. AJIMA 8/14/89 DE. T. SAKAKI 7/4/89  
 APP. T. SAKAKI 7/4/89

**AMP** AMP (JAPAN), LTD. Tokyo, Japan

070 SRS MLC 20POS. PLUG HSG  
 シリコン樹脂コネクタ  
 AMP (JAPAN), LTD. Tokyo, Japan

GENERAL TOLERANCE  
 0-4mm 10 : ±0.2  
 10-4mm 30 : ±0.25  
 30-4mm 100 : ±0.3  
 ANGLES : ±3°

SIZE LOC NUMBER  
 A3 J C-174952

SCALE REV. SHEET  
 2-1 E 11