

6/2 ways/positions flow diverters

RE 18302-07/07.12
Replaces: 12.09

1/8

L753.... (VS311-VS312-VS315)

Size 10
Series 00
Maximum operating pressure 310 bar [4500 psi]
Maximum flow 140 l/min [36,98 gpm]
Ports G 1/2 -G 3/4 - SAE12



DVI0088

Summary

Description	Page
General specifications	1
Ordering details	2
Spool variants	2
Principles of operation, cross section	3
Technical data	3
$\Delta p-Q_v$ characteristic curves	5
External dimensions and fittings	6
Electric connections	8

General specifications

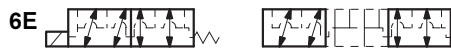
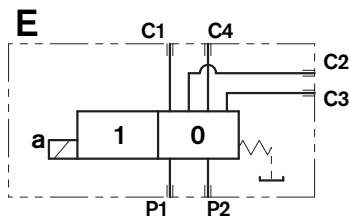
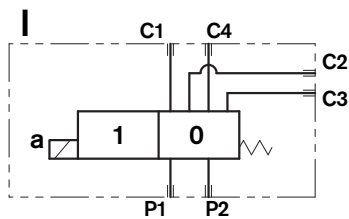
Description	Page
- 6 way 2 position valve.	1
- Directional spool valve with direct solenoid control.	1
- Hydraulic / pneumatic pilot , or manual push and twist control available as option.	2
- Control spool operated by solenoid, with easily removable coil fastened by a ring nut.	3
- Wet pin tube for DC coil, with push rod for mechanical override in case of voltage shortage.	5
- Unrestricted 360° orientation of DC coil.	6
- Control spool held in normal position by return spring.	8
- Optional manual override (push-button or screw type).	8
- Connectors available: DIN 43650 – ISO 4400, AMP Junior, DT04-2P (Deutsch), Free leads.	8

Ordering details

	L	7	5	3	_	_	_	_	_	_	0																																																																																				
Family Compact directional valve																																																																																															
Type Flow Diverters																																																																																															
Ports G 1/2 DIN 3852 = 4 G 3/4 DIN 3852 = 5 1 1/16-12 UN (SAE12) = E																																																																																															
Control type Solenoid (coil C 65) without manual override = 14 Solenoid (coil C 65) with push-button type manual override = 4P Solenoid (coil C 65) with screw type manual override = 4F Hydraulic / pneumatic control = P1 Manual push and twist control = H1																																																																																															
Spool variants 6 way / 2 position P1 side = 6_																																																																																															
Drain type Internal drain = I External drain = E																																																																																															
	<div style="display: flex; justify-content: space-between;"> <div style="width: 45%;"> <p>Electric connections</p> <p>00 = Without coils</p> <p>01** = With coils, without mating connector DIN EN 175301-803</p> <p>03 = With coils, with bi-directional diode, without mating connector vertical Amp-Junior</p> <p>07 = With coils, with bi-directional diode, without mating connector DT04-2P</p> <p>31 = With coils and bipolar sheathed lead 350mm [13,8 in] long</p> </div> <div style="width: 45%;"> <p>Voltage supply</p> <p>Without coil</p> <p>12V DC</p> <p>13V DC</p> <p>24V DC</p> <p>27V DC</p> <p>48V DC</p> </div> </div> <div style="text-align: center; margin-top: 20px;"> <table border="1" style="border-collapse: collapse;"> <tr> <td style="padding: 5px;">00 =</td> <td style="width: 20px;"></td> <td style="width: 20px;"></td> <td style="width: 20px;"></td> <td style="width: 20px;"></td> <td style="width: 20px;"></td> <td style="width: 20px;"></td> <td style="width: 20px;"></td> <td style="width: 20px;"></td> <td style="width: 20px;"></td> <td style="width: 20px;"></td> <td style="width: 20px;"></td> </tr> <tr> <td style="padding: 5px;">OB =</td> <td style="background-color: #cccccc;"></td> <td style="background-color: #cccccc;"></td> <td style="background-color: #cccccc;"></td> <td style="background-color: #cccccc;"></td> <td style="background-color: #cccccc;"></td> <td style="background-color: #cccccc;"></td> <td style="background-color: #cccccc;"></td> <td style="background-color: #cccccc;"></td> <td style="background-color: #cccccc;"></td> <td style="background-color: #cccccc;"></td> <td style="background-color: #cccccc;"></td> </tr> <tr> <td style="padding: 5px;">AD =</td> <td style="background-color: #cccccc;"></td> <td style="background-color: #cccccc;"></td> <td style="background-color: #cccccc;"></td> <td style="background-color: #cccccc;"></td> <td style="background-color: #cccccc;"></td> <td style="background-color: #cccccc;"></td> <td style="background-color: #cccccc;"></td> <td style="background-color: #cccccc;"></td> <td style="background-color: #cccccc;"></td> <td style="background-color: #cccccc;"></td> <td style="background-color: #cccccc;"></td> </tr> <tr> <td style="padding: 5px;">OC =</td> <td style="background-color: #cccccc;"></td> <td style="background-color: #cccccc;"></td> <td style="background-color: #cccccc;"></td> <td style="background-color: #cccccc;"></td> <td style="background-color: #cccccc;"></td> <td style="background-color: #cccccc;"></td> <td style="background-color: #cccccc;"></td> <td style="background-color: #cccccc;"></td> <td style="background-color: #cccccc;"></td> <td style="background-color: #cccccc;"></td> <td style="background-color: #cccccc;"></td> </tr> <tr> <td style="padding: 5px;">AC =</td> <td style="background-color: #cccccc;"></td> <td style="background-color: #cccccc;"></td> <td style="background-color: #cccccc;"></td> <td style="background-color: #cccccc;"></td> <td style="background-color: #cccccc;"></td> <td style="background-color: #cccccc;"></td> <td style="background-color: #cccccc;"></td> <td style="background-color: #cccccc;"></td> <td style="background-color: #cccccc;"></td> <td style="background-color: #cccccc;"></td> <td style="background-color: #cccccc;"></td> </tr> <tr> <td style="padding: 5px;">OD =</td> <td style="background-color: #cccccc;"></td> <td style="background-color: #cccccc;"></td> <td style="background-color: #cccccc;"></td> <td style="background-color: #cccccc;"></td> <td style="background-color: #cccccc;"></td> <td style="background-color: #cccccc;"></td> <td style="background-color: #cccccc;"></td> <td style="background-color: #cccccc;"></td> <td style="background-color: #cccccc;"></td> <td style="background-color: #cccccc;"></td> <td style="background-color: #cccccc;"></td> </tr> <tr> <td></td> <td style="text-align: center;">31</td> <td style="text-align: center;">07</td> <td style="text-align: center;">03</td> <td style="text-align: center;">01</td> <td style="text-align: center;">00</td> <td colspan="6"></td> </tr> </table> <p>Available connections</p> </div>											00 =												OB =												AD =												OC =												AC =												OD =													31	07	03	01	00						
00 =																																																																																															
OB =																																																																																															
AD =																																																																																															
OC =																																																																																															
AC =																																																																																															
OD =																																																																																															
	31	07	03	01	00																																																																																										

** For connectors ordering code see data sheet RE 18325-90.

Spool variants



	I	E
6A =		
6B =		
6E =		
6F =		
6G =		

Principles of operation, cross section

A valve basically consists of a housing (1), a control spool (2), a return spring (3) and a solenoid (5). It is designed to connect two inlet lines P1 – P2 (normally a set of hoses) and divert them to either the outlet ports (C1 – C4) with spool in position "0", when the solenoid is de-energized, or to the outlet ports (C2 – C3) with spool in position "1", when the solenoid is energized.

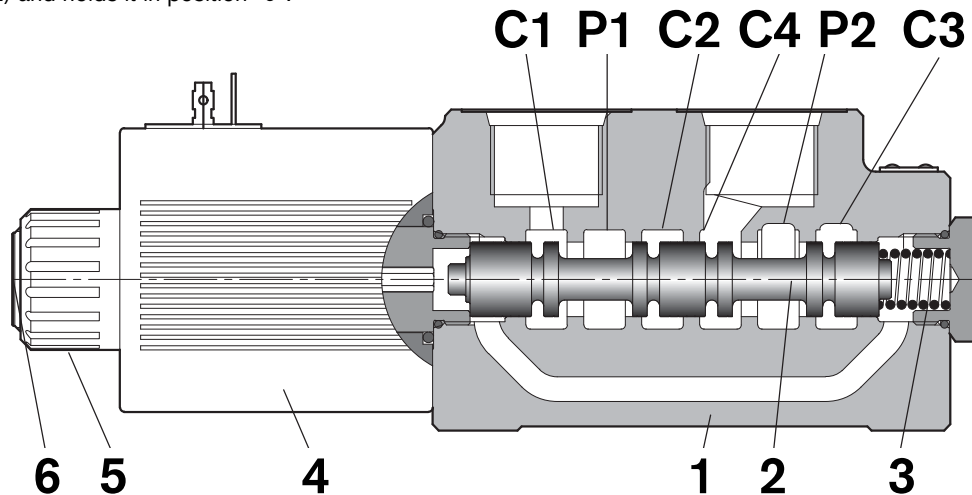
With the coil de-energized, the return spring (3) pushes back the spool (2) and holds it in position "0".

The coil (5) is fastened to the tube by the ring nut (6).

The manual override (6) allows to shift the spool (2) also in case of voltage shortage.

An external drain, to be connected to tank, ensures shifting operations also at higher working pressure.

Hydraulic / pneumatic pilot control for spool shifting is available upon request.



Technical Data (for applications with different specifications consult us)

General

Valve weight	kg [lbs]	5.1 [11.2]
Mounting position		unrestricted
Ambient Temperature	°C [°F]	-20....+50 [-4....+122] (NBR seals)

Hydraulic

Maximum pressure with external drain ("E" type)	bar [psi]	310 [4500]
Maximum pressure with internal drain ("I" type)	bar [psi]	250 [3625]
Maximum pressure with schemes 6F and 6G	bar [psi]	310 [4500]
Maximum flow	l/min [gpm]	140 [36.98]
Pilot pressure needed for hydraulic / pneumatic control	bar [psi]	max 200 [2900] - min 4 [58] with external drain. For versions with internal drain, the pilot pressure required should be at least 11 times higher than inlet pressure (ratio 11:1).
Hydraulic fluid		Mineral oil based hydraulic fluids HL (DIN 51524 part 1). Mineral oil based hydraulic fluids HLP (DIN 51524 part 2). For use of environmentally acceptable fluids (vegetable or polyglycol base) please consult us.
Fluid Temperature	°C [°F]	-20....+80 [-4....+176] (NBR seals)
Permissible degree of fluid contamination		ISO 4572: $\beta_x \geq 75$ X=12...15 ISO 4406: class 20/18/15 NAS 1638: class 9
Viscosity range	mm ² /s	5...420
Internal leakage with 100 bar [1450 psi] secondary pressure at C	cc/min [in ³ /min]	min. 15 [0.9] - max. 40 [2.4]

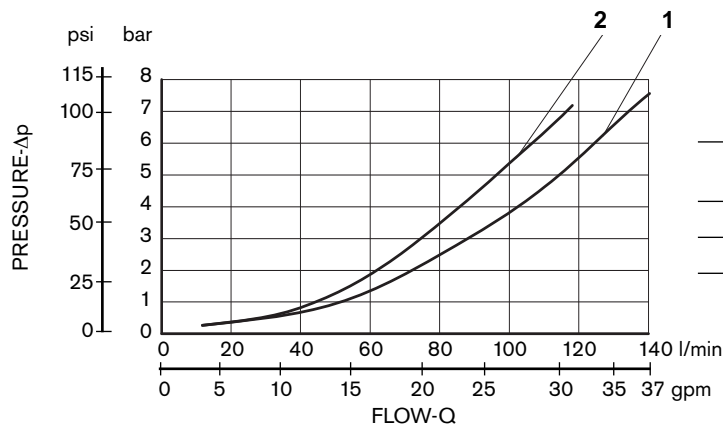
Electrical

Voltage type		DC							
Voltage tolerance (nominal voltage)	%	-10 ... +10							
Duty	%	Continuous, with ambient temperature $\leq 50^{\circ}\text{C}$ [122°F]							
Coil wire temperature not to be exceeded	$^{\circ}\text{C}$ [°F]	150 [302]							
Insulation class		H							
Compliance with		Low Voltage Directive LVD 73/23/EC (2006/95/EC), 2004/108/EC							
Coil weight with DIN 43650 – ISO 4400 connector	kg [lbs]	1.05 [2.3]							
Voltage	V	12	13	24	27	48			
Voltage type		DC	DC	DC	DC	DC			
Power consumption	W	44	44	44	44	44			
Current (nominal at 20°C [68°F])	A	3.6	3.4	1.8	1.60	0.90			
Resistance (nominal at 20°C [68°F])	Ω	3.2	3.6	12.8	16.9	50.5			

	Voltage (V)	Connector type	Coil description	Marking	Coil Mat no.
=OB 01	12 DC	EN 175301-803 (Ex. DIN 43650)	C6501 12DC	12 DC	R933000100
=OB 03	12 DC	AMP JUNIOR	C6503 12DC	12 DC	R933000119
=OB 07	12 DC	DEUTSCH DT 04-2P	C6507 12DC	12 DC	R933000107
=OB 31	12 DC	Cable 350 mm long	C6531 12DC	12 DC	R933000104
=AD 01	13 DC	EN 175301-803 (Ex. DIN 43650)	C6501 13DC	13 DC	R933000101
=AD 07	13 DC	DEUTSCH DT 04-2P	C6507 13DC	13 DC	R933000112
=OC 01	24 DC	EN 175301-803 (Ex. DIN 43650)	C6501 24DC	24 DC	R933000102
=OC 03	24 DC	AMP JUNIOR	C6503 24DC	24 DC	R933000120
=OC 07	24 DC	DEUTSCH DT 04-2P	C6507 24DC	24 DC	R933000111
=OC 31	24 DC	Cable 350 mm long	C6531 24DC	24 DC	R933000110
=AC 01	27 DC	EN 175301-803 (Ex. DIN 43650)	C6501 27DC	27 DC	R933000103
=AC 03	27 DC	AMP JUNIOR	C6503 27DC	27 DC	R93307055
=AC 07	27 DC	DEUTSCH DT 04-2P	C6507 27DC	27 DC	R933000113
=OD 01	48 DC	EN 175301-803 (Ex. DIN 43650)	C6501 48DC	48 DC	R933000114

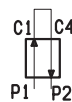
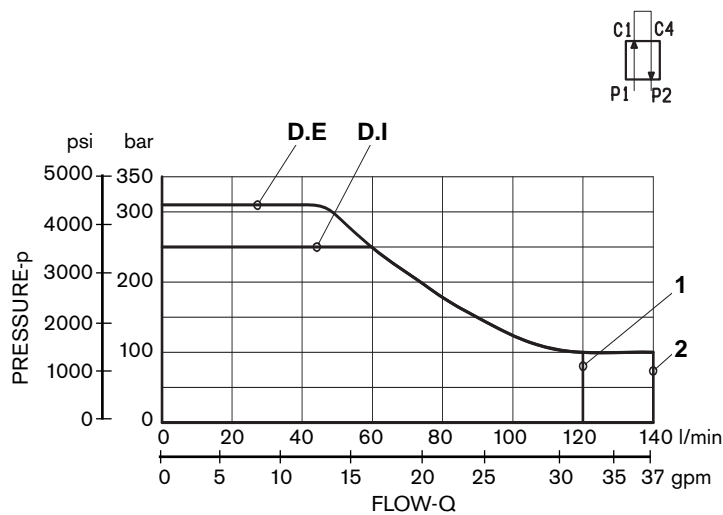
Characteristic curves

Measured with hydraulic fluid ISO-VG32 at $45^{\circ} \pm 5^{\circ} \text{ C}$ [$113^{\circ} \pm 9^{\circ} \text{ F}$]; ambient temperature 20° C [68° F].



Scheme	Curve n.			
	P1>C1	P1>C2	P2>C4	P2>C3
VS311	2	2	2	2
VS312-VS315	1	1	1	1

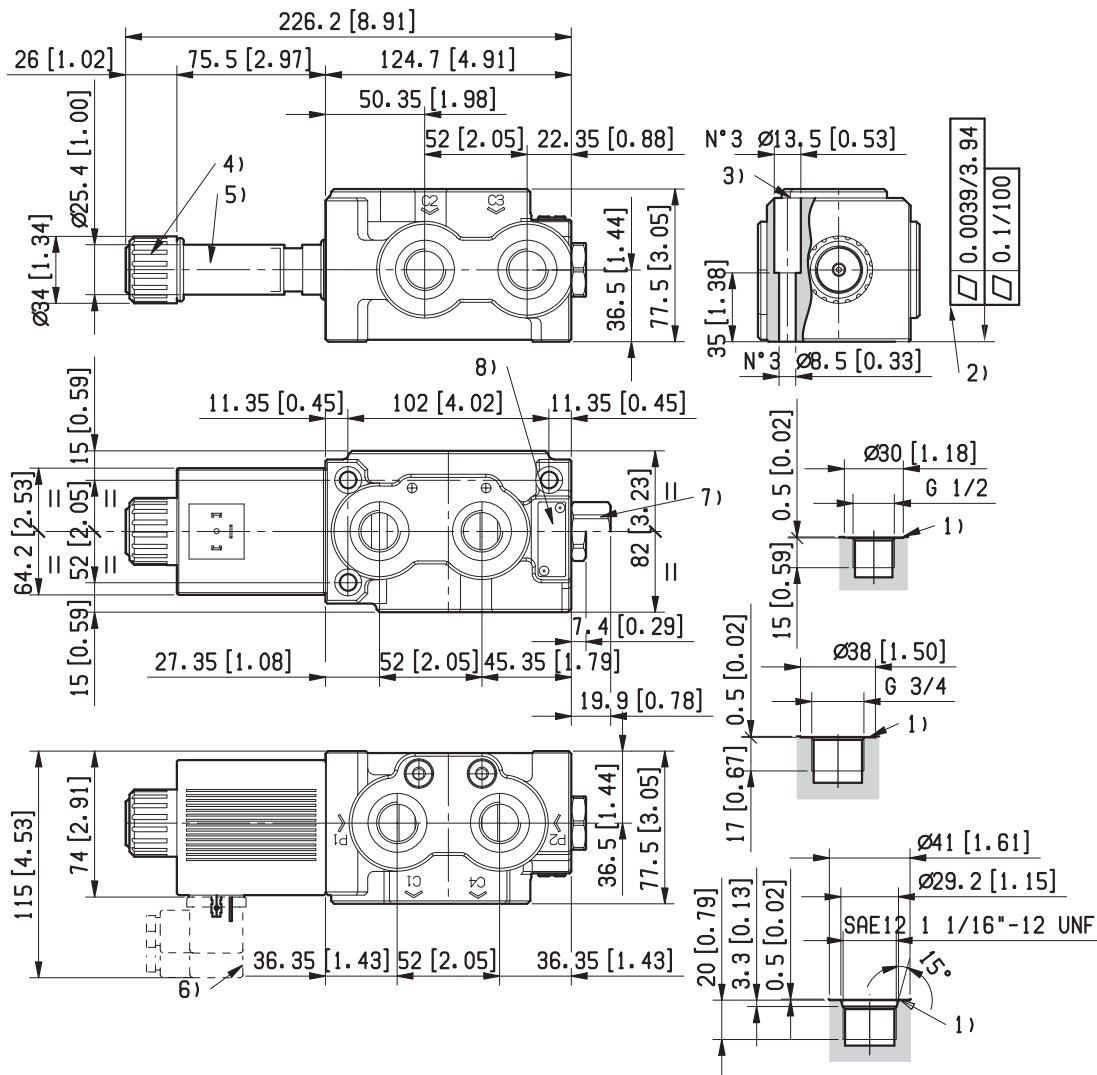
Performances limits



Scheme	Curve n.
VS311	1
VS312-VS315	2

Flow across both ways: forward across P1>C1 and reverse across C4>P2

External Dimensions and Fittings



1 Ports P1, P2, C1, C2, C3, C4.

2 The mounting surface flatness must comply with specifications.

3 Two through holes recommended screws M8x45 with strength class DIN 8.8.
Torque 15 – 16 Nm [11.1–11.8 ft-lb].

4 Ring nut for coil locking \varnothing 34 mm [1.34 inch].
Torque 7–8 Nm [5.2 – 5.9 ft-lb].

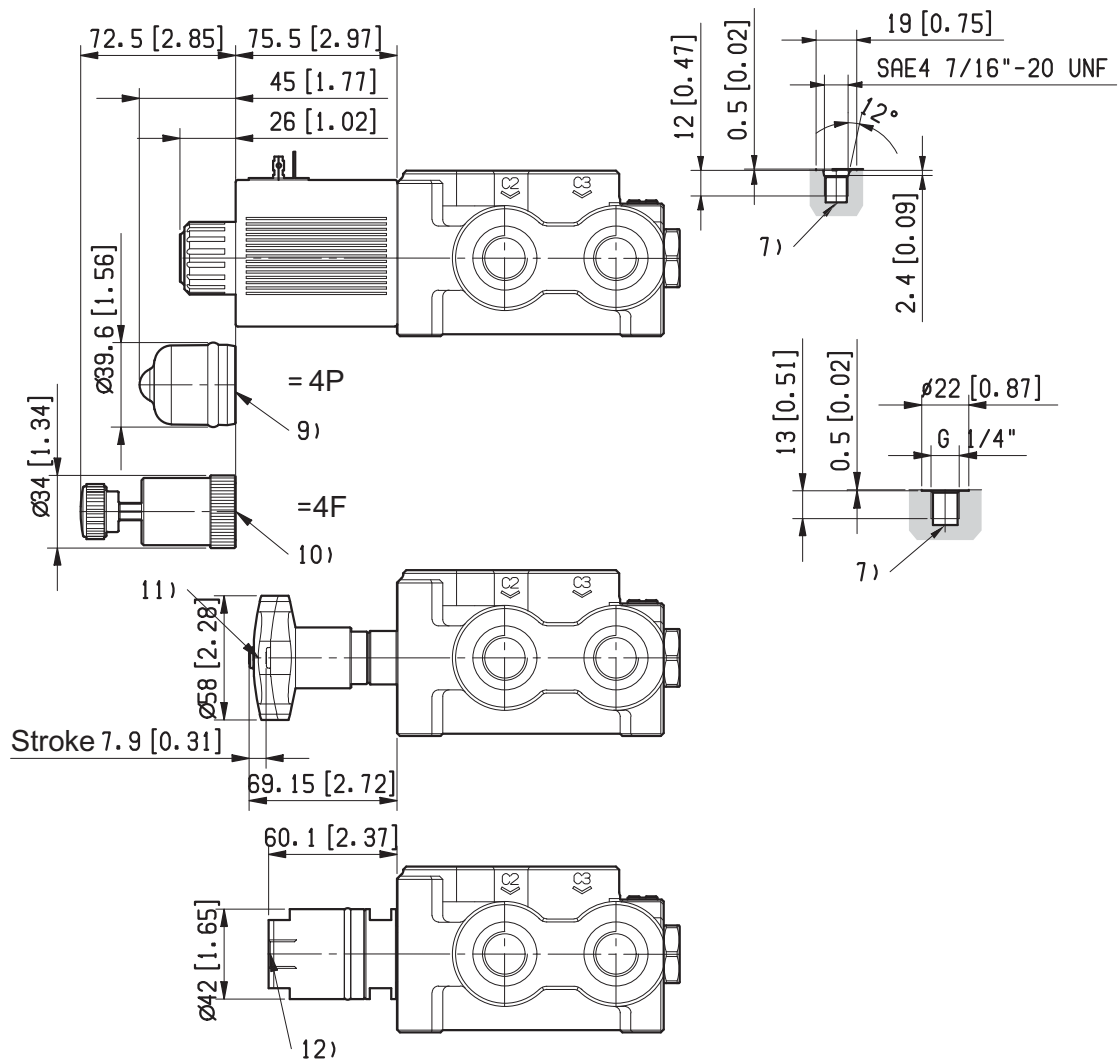
5 Solenoid tube \varnothing 25,4 mm [1.00 inch].

6 Minimum clearance needed for connector removal.

7 External drain plug available with G 1/4 and SAE 4 port.

8 Identification label.

External Dimensions and Fittings



9 Optional push-button, 4P type, manual override for spool opening: it is pressure stuck to the ring nut for coil locking. Mat no. R933003424

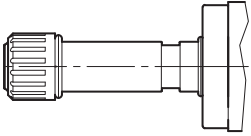
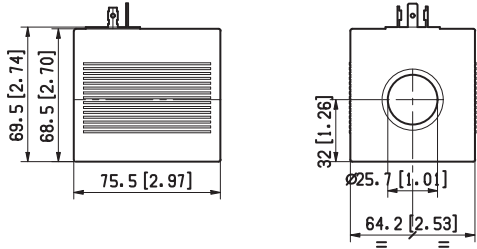
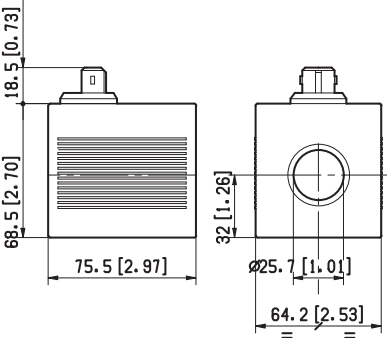
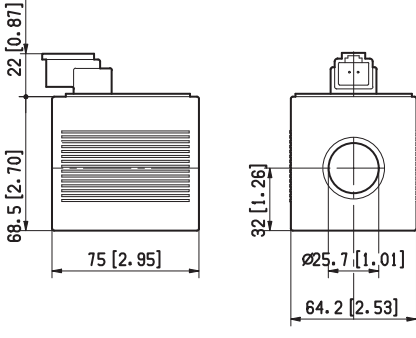
10 Optional screw type manual override, 4F type, for spool opening: it is screwed (torque 8-9 Nm [5.9-6.6 ft-lb])

to the tube as replacement of the coil ring nut. Mat no. R933003713

11 Dimensions of manual version, push and twist type.

12 Dimensions of hydraulic / pneumatic piloted version. Pilot port plug available with G 1/4.

Electric connections

<p>=00</p>		<p>=01</p>	
<p>=03</p>	<p>Protection class: IP 65 with female connector properly fitted (see drawing).</p> 	<p>=07</p>	<p>Protection class: IP 69 K with female connector properly fitted (see drawing).</p> 
<p>=31</p>	