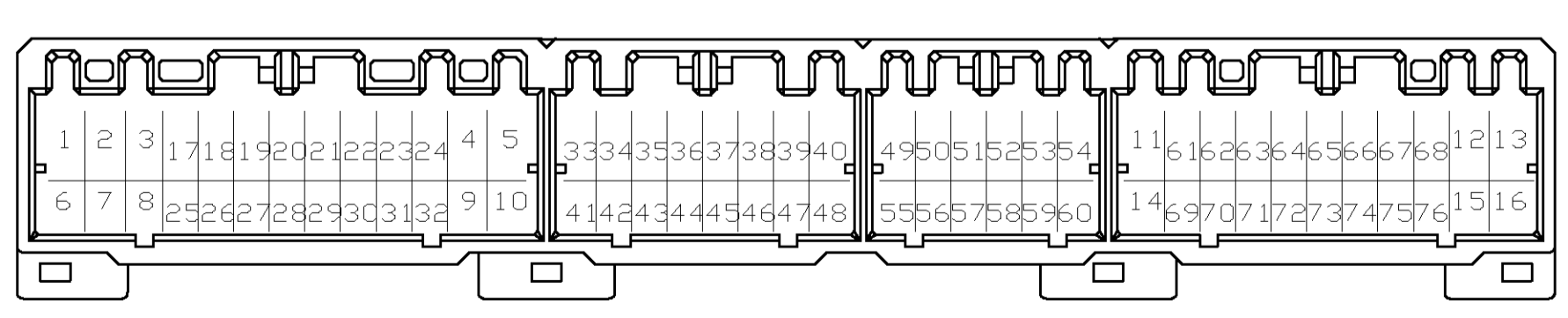
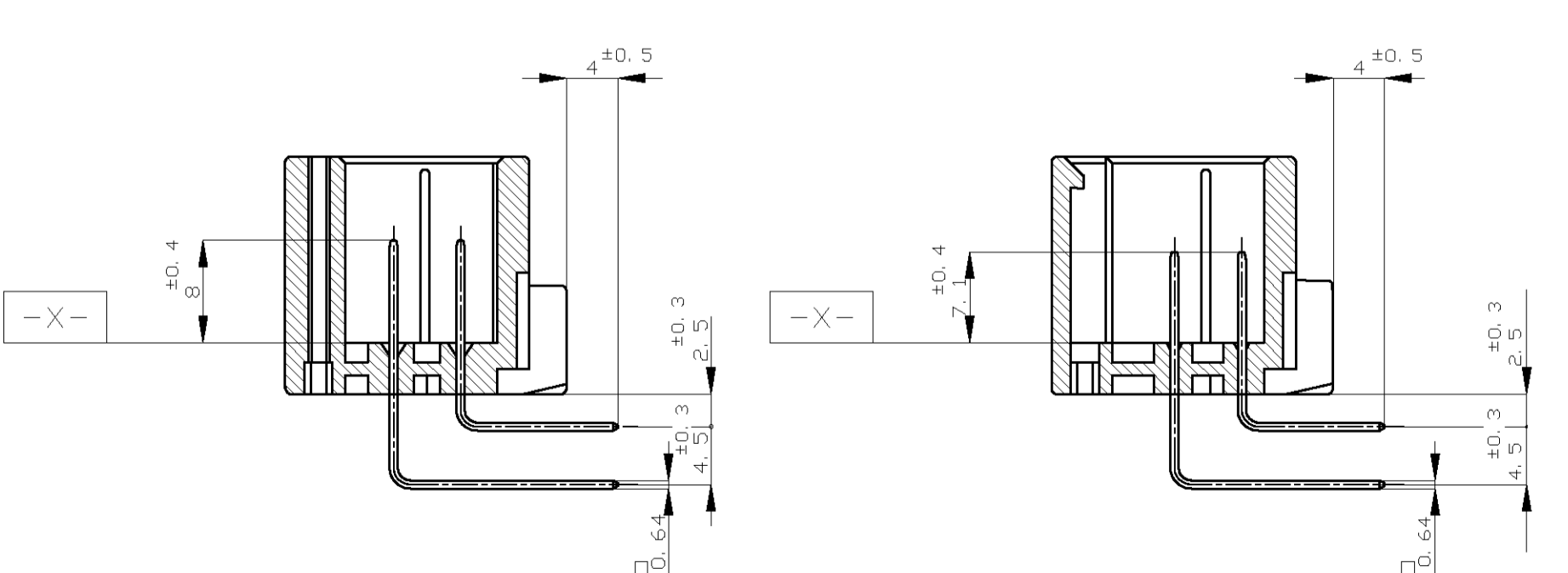


- △ [X-] 図から2mmの範囲で測定
- 2. 嵌合相手ハウジング型 174516, 174515, 174514, 174913
- 3. 推奨取付ねじ: JIS B1115, B1122 ツッピンねじ, なべ2種  
ねじ径3, 長さ6mm以下 (締付けトルク: 0.4N-cm以下)
- 4. 適用製品規格番号: 108-5280
- △ 回路番号: 右図参照のこと  
パワ-回路 ① ~ ⑩  
シグナル回路 ⑪ ~ ⑰
- △ 適用製品規格のアプレフィックス及びIDマークを  
カラーネットマークにて表示

- △ MUST BE KEPT BETWEEN [X-] AND 2
- 2 THE MATING PLUG HSG. PART NUMBER; 174516, 174515, 174514, 174913
- 3 RECOMMENDED MOUNTING SCREW; 3mmDIA, 6mmLENGTH (MAX.)  
PAN HEAD, CLASS 2 TAPPING SCREW SPECIFIED IN JIS  
B1115, B1122  
(TIGHTENING TORQUE) 0.4N-cm MAX.
- 4 APPLICABLE PRODUCT SPEC NO. 108-5280
- △ CIRCUIT NUMBER  
POWER CIRCUIT NO. ① ~ ⑩  
SIGNAL CIRCUIT NO. ⑪ ~ ⑰
- △ INDICATED PREFIX AND ID MARK OF PRODUCT P/N BY HOT MARK



OBsolete	9	SELECTIVE-TIN	PRE-TIN x 76	-	49, 50, 52, 53, 68	WHITE	9-178780-1
	8	TIN-LEAD	SELECTIVE GOLD x 7	-	70, 74	GRAY	8-178780-6
	7	TIN-LEAD	PRE-TIN x 69	-	24, 31, 39, 44~47	GRAY	7-178780-6
	6	TIN-LEAD	PRE-TIN x 66	-	49, 55, 64	GRAY	6-178780-6
	6	TIN-LEAD	SELECTIVE GOLD x 14	-	42~50, 55	GRAY	6-178780-6
	5	TIN-LEAD	PRE-TIN x 62	-	25~32, 35~40	YELLOW	5-178780-7
	5	TIN-LEAD	SELECTIVE GOLD x 28	-	43~52, 55~58	YELLOW	5-178780-7
OBsolete	5	TIN-LEAD	PRE-TIN x 48	-	25~32, 35~40	GRAY	5-178780-6
	5	TIN-LEAD	SELECTIVE GOLD x 28	-	43~52, 55~58	GRAY	5-178780-6
	5	TIN-LEAD	PRE-TIN x 48	-	25~32, 35~40	BLACK	5-178780-2
	5	TIN-LEAD	SELECTIVE GOLD x 28	-	43~52, 55~58	BLACK	5-178780-2
	4	TIN-LEAD	PRE-TIN x 48	-	23, 24, 31~51	WHITE	5-178780-1
	4	TIN-LEAD	SELECTIVE GOLD x 28	-	55~57, 63, 64	WHITE	5-178780-1
	4	TIN-LEAD	PRE-TIN x 48	-	49, 50, 52, 53, 68	YELLOW	4-178780-7
	4	TIN-LEAD	SELECTIVE GOLD x 8	-	70, 71, 74	GRAY	4-178780-6
	3	TIN-LEAD	PRE-TIN x 68	-	26~32, 40, 49~52	YELLOW	3-178780-7
	3	TIN-LEAD	SELECTIVE GOLD x 12	-	17~76	YELLOW	3-178780-7
	3	TIN-LEAD	PRE-TIN x 64	-	17~76	GRAY	3-178780-6
	3	TIN-LEAD	SELECTIVE GOLD x 60	-	17~76	GRAY	3-178780-6
	2	TIN-LEAD	PRE-TIN x 52	9	23, 24, 31, 33~49	YELLOW	2-178780-7
	2	TIN-LEAD	SELECTIVE GOLD x 24	-	55, 63, 64	YELLOW	2-178780-7
	2	TIN-LEAD	PRE-TIN x 57	-	22, 24, 31, 34, 39~40	GRAY	2-178780-6
	0	TIN-LEAD	PRE-TIN x 76	-	42~48, 49, 50, 55, 56, 63, 64	GRAY	2-178780-6
	1	SELECTIVE-TIN (MATE)	SELECTIVE-TIN (BRIGHT) x 76	-	-	WHITE	178780-3
	0	TIN-LEAD	PRE-TIN x 76	-	-	WHITE	178780-1

THIS DRAWING IS A CONTROLLED DOCUMENT.

GENERAL TOLERANCE: 0 < x < 10 ± 0.2, 10 < x < 30 ± 0.25, 30 < x < 100 ± 0.3, ANGLES ± 1°

MATERIAL: HOUSING: PBT, CONTACT: BRASS

FINISH: 仕上

TOLENCES UNLESS OTHERWISE SPECIFIED: 0 PL ±, 1 PL ±, 2 PL ±, 3 PL ±, 4 PL ±, 5 PL ±, 6 PL ±, 7 PL ±, 8 PL ±, 9 PL ±, 10 PL ±, 11 PL ±, 12 PL ±, 13 PL ±, 14 PL ±, 15 PL ±, 16 PL ±, 17 PL ±, 18 PL ±, 19 PL ±, 20 PL ±, 21 PL ±, 22 PL ±, 23 PL ±, 24 PL ±, 25 PL ±, 26 PL ±, 27 PL ±, 28 PL ±, 29 PL ±, 30 PL ±, 31 PL ±, 32 PL ±, 33 PL ±, 34 PL ±, 35 PL ±, 36 PL ±, 37 PL ±, 38 PL ±, 39 PL ±, 40 PL ±, 41 PL ±, 42 PL ±, 43 PL ±, 44 PL ±, 45 PL ±, 46 PL ±, 47 PL ±, 48 PL ±, 49 PL ±, 50 PL ±, 51 PL ±, 52 PL ±, 53 PL ±, 54 PL ±, 55 PL ±, 56 PL ±, 57 PL ±, 58 PL ±, 59 PL ±, 60 PL ±, 61 PL ±, 62 PL ±, 63 PL ±, 64 PL ±, 65 PL ±, 66 PL ±, 67 PL ±, 68 PL ±, 69 PL ±, 70 PL ±, 71 PL ±, 72 PL ±, 73 PL ±, 74 PL ±, 75 PL ±, 76 PL ±, 77 PL ±, 78 PL ±, 79 PL ±, 80 PL ±, 81 PL ±, 82 PL ±, 83 PL ±, 84 PL ±, 85 PL ±, 86 PL ±, 87 PL ±, 88 PL ±, 89 PL ±, 90 PL ±, 91 PL ±, 92 PL ±, 93 PL ±, 94 PL ±, 95 PL ±, 96 PL ±, 97 PL ±, 98 PL ±, 99 PL ±, 100 PL ±

APPROVED: M. KADOSAKI, T. SHINOHARA, K. BETSUJI

TYCO ELECTRONICS CORPORATION, Kawasaki, Japan

76POS CAP HOUSING ASSY  
 .040/.070 SERIES HYBRID I/O CONN. (NON FLANGE)

SIZE: A1, CODE: 00779, DRAWING NO: 178780

CUSTOMER DRAWING, SCALE: 2:1, SHEET: 1 OF 1, REV: P4