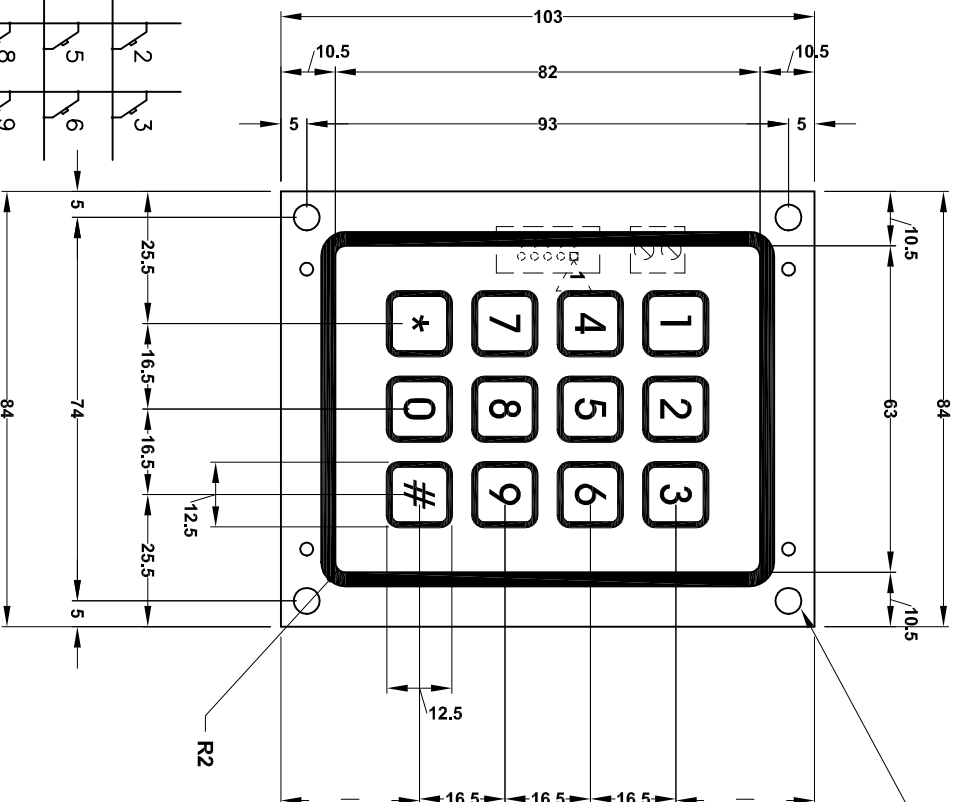
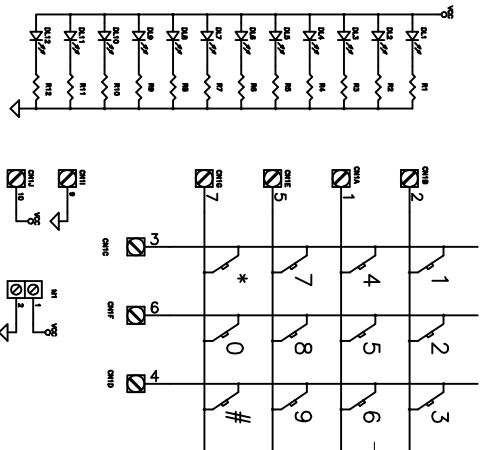


Cut-Out 82,5 x 63,5 R=2.25

Panel thickness = 2 mm

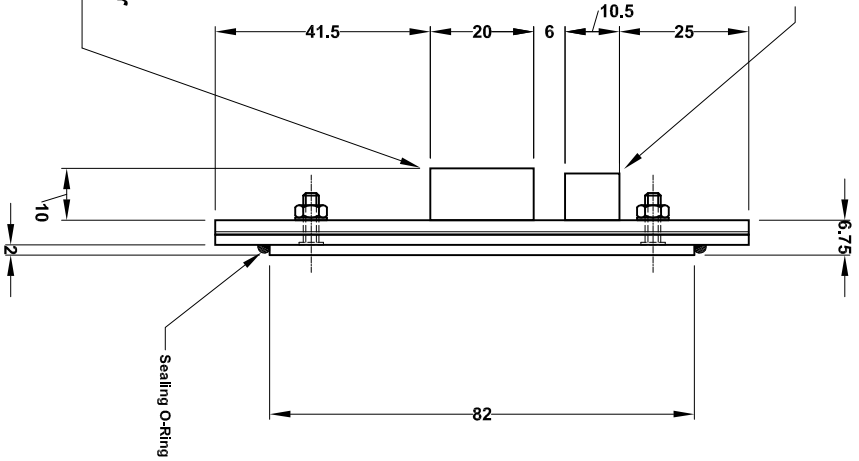


TOP SIDE



N° 4 fixing holes Ø5 mm
(M1) Backlight Power
Supply terminals

(CN1) IDC male connector
5 x 2 B/P A-PHB254-10
(3 x 4 Output matrix)



| | | | | |
|------|--------|---------------------|------------------------------|----------|
| Rev. | DATE | Signature | Description of modifications | Approved |
| 1 | XXXXXX | / / / / / / / / / / | / / / / / / / / / / | |

THIS DRAW IS A RESERVED PROPERTY OF APEM ITALIA S.r.l. - DO NOT SCALE DRAWING -

ALL DIMENSIONS IN mm UNLESS OTHERWISE STATED TOLERANCES UNLESS OTHERWISE STATED: LINEAR ±0.1 mm ANGULAR ±30°

| | | |
|------------------------|------------|-----------|
| REPRODUCTION FORBIDDEN | DATA | SIGNATURE |
| DRAWN | 14/04/2004 | P. Molle |
| CHECKED | | xxxxxx |
| APPROVED | | xxxxxx |

DESCRIPTION

T12PQRL New Yellow Backlight
Mechanical drawing

PART. N. 59800021

59800021_T12PQRL_new.DWG

SCALE 1 : 1

SHEET 1 / 1

INDEX REF.

REV. 0

APEM ITALIA S.r.l.
Via G. Mercanti, 147/G
12030 MARENE (CN) - ITALIA
Tel. +39.0172.743170
Fax. +39.0172.743171
open.italia@open.it
www.open.it