

Extension module - EM-2RSC/21AU-R/L-P - 2908701

Please be informed that the data shown in this PDF Document is generated from our Online Catalog. Please find the complete data in the user's documentation. Our General Terms of Use for Downloads are valid (<http://phoenixcontact.com/download>)



Relay extension module for ELR-...-P hybrid motor starters, feedback of forward and reverse running when control signal is present, screw connection, DIN rail connector included



Key Commercial Data

Packing unit	1 pc
GTIN	
GTIN	4055626323183
Weight per Piece (excluding packing)	182.600 g
Custom tariff number	85364190
Country of origin	Germany
Note	Made to Order (non-returnable)

Technical data

General

Mounting position	Vertical (horizontal DIN rail)
Mounting type	DIN rail mounting
Assembly instructions	In rows with zero spacing
Ambient temperature (operation)	-25 °C ... 70 °C
Ambient temperature (storage/transport)	-40 °C ... 80 °C

Output data

Contact type	1 PDT
Rated operating voltage U _e	24 V DC
	230 V AC
Switching capacity according to IEC 60947-5-1	3 A (230 V, AC15)
	2 A (24 V, DC13)

Connection data, output side

Connection name	Load circuit
-----------------	--------------

Extension module - EM-2RSC/21AU-R/L-P - 2908701

Technical data

Connection data, output side

Connection method	Screw connection
Stripping length	8 mm
Screw thread	M3
Conductor cross section solid	0.2 mm ² ... 2.5 mm ²
Conductor cross section flexible	0.2 mm ² ... 2.5 mm ²
Conductor cross section AWG	24 ... 14
Torque	0.5 Nm ... 0.6 Nm
	5 lb _f -in. ... 7 lb _f -in.

Dimensions

Width	22.50 mm
Height	106.60 mm
Depth	113.70 mm

Standards and Regulations

Standards/regulations	IEC 60947-5-1
-----------------------	---------------

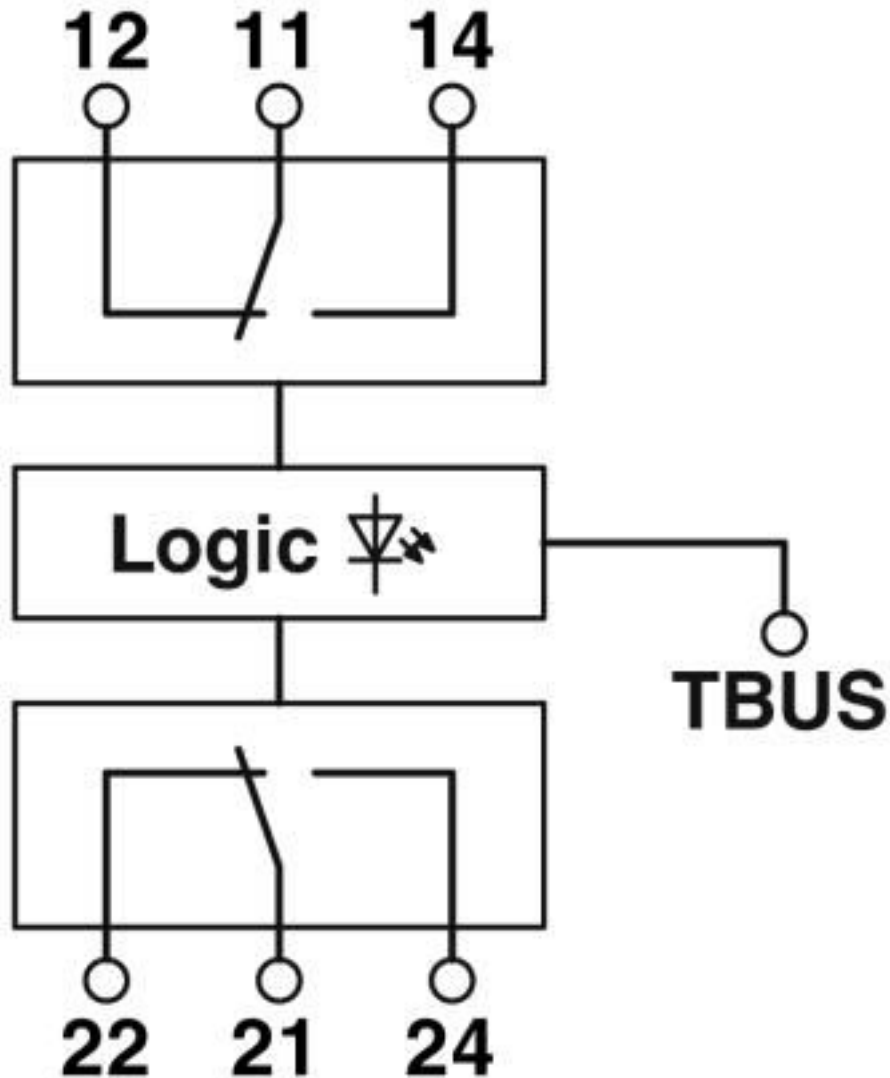
Environmental Product Compliance

REACH SVHC	Lead 7439-92-1
China RoHS	Environmentally Friendly Use Period = 50 years
	For details about hazardous substances go to tab "Downloads", Category "Manufacturer's declaration"

Drawings

Extension module - EM-2RSC/21AU-R/L-P - 2908701

Circuit diagram



Classifications

eCl@ss

eCl@ss 10.0.1	27371601
eCl@ss 4.0	27021100
eCl@ss 4.1	27021100
eCl@ss 5.0	27024000
eCl@ss 5.1	27024000
eCl@ss 6.0	27024000
eCl@ss 7.0	27024002
eCl@ss 8.0	27371601
eCl@ss 9.0	27371601

Extension module - EM-2RSC/21AU-R/L-P - 2908701

Classifications

ETIM

ETIM 2.0	EC001037
ETIM 3.0	EC001037
ETIM 4.0	EC001037
ETIM 5.0	EC001437
ETIM 6.0	EC001437
ETIM 7.0	EC001437

UNSPSC

UNSPSC 13.2	25173902
UNSPSC 18.0	39122334
UNSPSC 19.0	39122334
UNSPSC 20.0	39122334
UNSPSC 21.0	39122334

Approvals


Approvals


Approvals


EAC / UL Listed / cUL Listed / UL Listed / cUL Listed


Ex Approvals

Approval details

EAC		RU*DE*08.B.01841/19
-----	---	---------------------

UL Listed		http://database.ul.com/cgi-bin/XYV/template/LISEXT/1FRAME/index.htm	FILE E 228652
-----------	---	---	---------------

cUL Listed		http://database.ul.com/cgi-bin/XYV/template/LISEXT/1FRAME/index.htm	FILE E 228652
------------	---	---	---------------

UL Listed		http://database.ul.com/cgi-bin/XYV/template/LISEXT/1FRAME/index.htm	FILE E 172140
-----------	---	---	---------------

Extension module - EM-2RSC/21AU-R/L-P - 2908701

Approvals

cUL Listed



<http://database.ul.com/cgi-bin/XYV/template/LISEXT/1FRAME/index.htm> FILE E 172140

Accessories

Accessories

DIN rail connector

DIN rail bus connectors - ELR-TBUS-22,5-P - 2203861



Special DIN rail connector only suitable for ELR H...-P and EM-...-P.