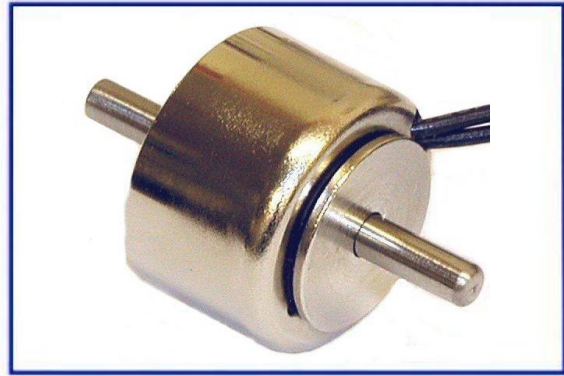


Solenoids

Series 151 Compact, Push-Pull Solenoid



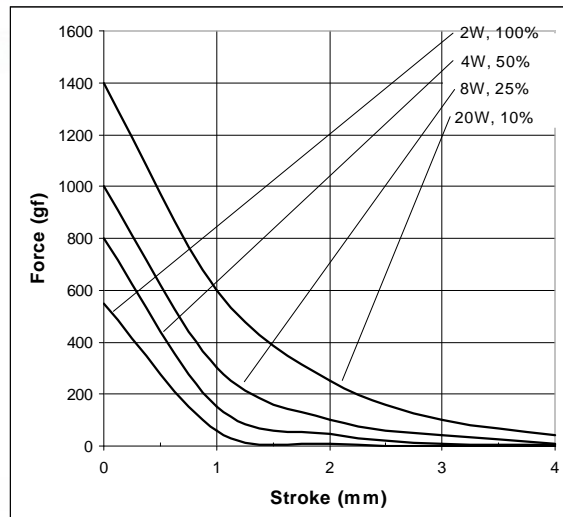
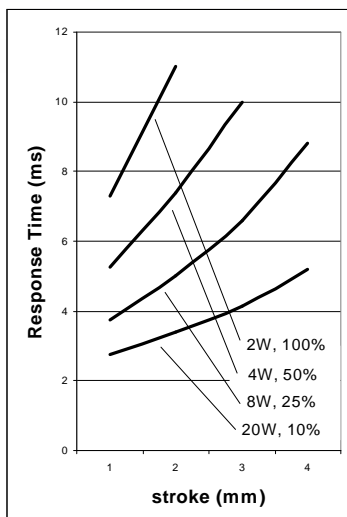
GENERAL DESCRIPTION

- Compact with a Small Diameter
- DC Powered
- Push/Pull Action in One Stroke

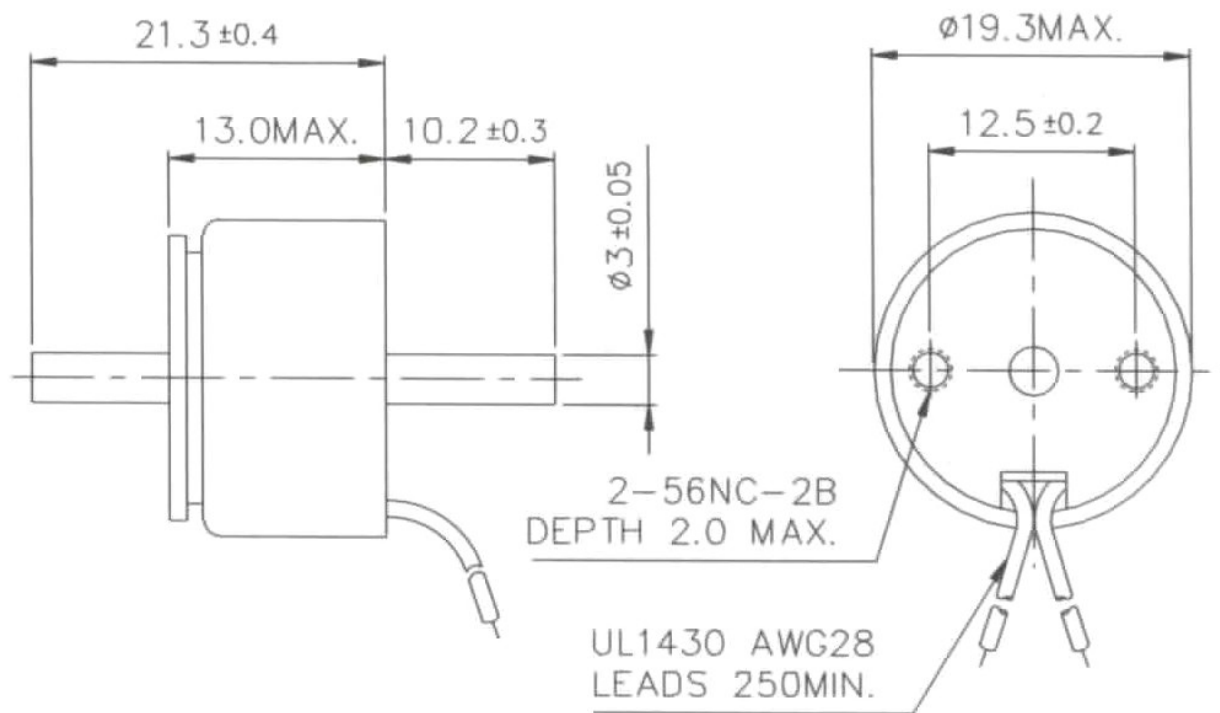
PERFORMANCE

	ITEM	SPECIFICATION
Electrical	Closed power (continuous rating)	2W
	Dielectric strength	1000V RMS 50Hz
	Insulation	All coils tested to frame at 1000V RMS 50Hz
Mechanical	Weight	Total: 20g. approx. Plunger: 4g
	Ambient temperature	The information given on this page is based on a room temperature of 20°C allowing for a nominal 75°C temperature rise in the coil.
	Force stroke curve	This force stroke curve shows average performance only. In addition to normal manufacturing tolerances, deviations can be expected at some voltages due to the coil winding tolerances.

FORCE/STROKE CURVES



DIMENSIONS (mm)



CODING

Type No.	Resistance (Ohms) $\pm 10\%$ @ 20°C	Voltage dc			
		Continuous 100%	50% Or less	25% Or less	10% Or less
151-191-330-300	4.9	3	4.2	6	9.5
151-191-330-540	21.5	6	8.5	12	19
151-191-330-620	89	12	17	24	38
151-191-330-720	307	24	34	48	76
Maximum 'on' time (seconds)		∞	100	36	7
Watts at 20°C		2	4	8	20

$$\text{Duty Cycle (\%)} = \frac{\text{'ON' time}}{\text{'ON' time} + \text{'OFF' time}} \times 100$$



components

BLP products are designed, manufactured and tested to quality standards approved by BSI.

BLP reserve the right to change without prior notice the information contained in this leaflet.

BLP, Exning Road, Newmarket, Suffolk CB8 0AX, England

Tel: +44 (0)1638 665161 Fax: +44(0)1638 660718 e.mail: sales@blpcomp.com web site: www.blpcomp.com

A Roxboro Group company

BLP is a trade mark of BLP Components