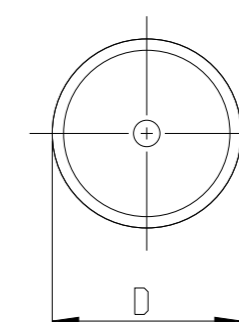
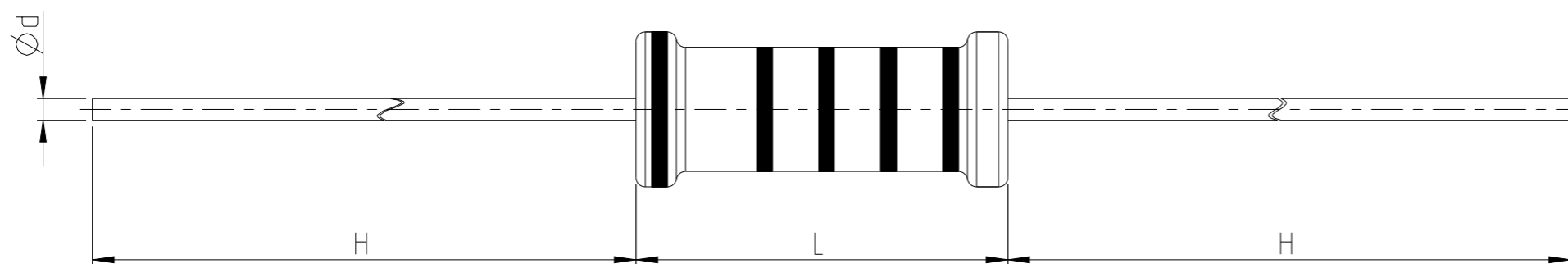
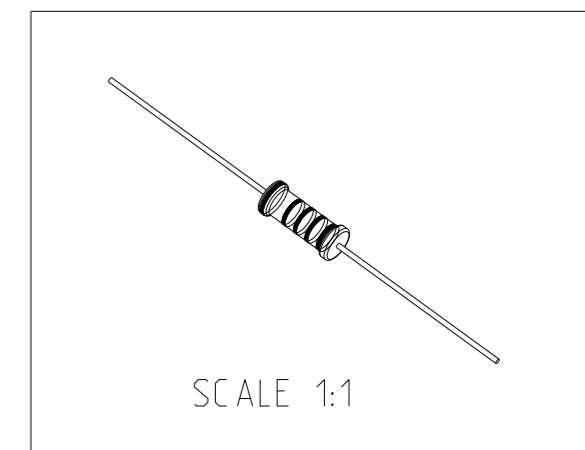


P	LTR	DESCRIPTION	DATE	DWN	APVD
	BA	INITIAL DRAWING RELEASE	24APR2025	RS	GT

FOR FURTHER INFORMATION SEE DATA SHEET FOR FUSIBLE WIREWOUND FIXED RESISTOR - TYPE FWFU SERIES



POWER RATING	D(MAX)	L(MAX)	d±0.05	H±3
FWFU 1W	5	12	0.7	28



THIS DRAWING IS A CONTROLLED DOCUMENT.		DWN RAMESHA L S 24APR2025														
DIMENSIONS: mm		CHK TRACY G 24APR2025														
TOLERANCES UNLESS OTHERWISE SPECIFIED:		APVD TRACY G 24APR2025	NAME FUSIBLE WIREWOUND FIXED RESISTOR TYPE FWFU 1W SERIES													
<table border="0"> <tr> <td>0 PLC</td> <td>±</td> </tr> <tr> <td>1 PLC</td> <td>±</td> </tr> <tr> <td>2 PLC</td> <td>±</td> </tr> <tr> <td>3 PLC</td> <td>±</td> </tr> <tr> <td>4 PLC</td> <td>±</td> </tr> <tr> <td>ANGLES</td> <td>±</td> </tr> </table>		0 PLC	±	1 PLC	±	2 PLC	±	3 PLC	±	4 PLC	±	ANGLES	±	PRODUCT SPEC -	RESTRICTED TO -	
0 PLC	±															
1 PLC	±															
2 PLC	±															
3 PLC	±															
4 PLC	±															
ANGLES	±															
MATERIAL -		FINISH -	APPLICATION SPEC -	SCALE 5:1												
		WEIGHT -	SIZE A3	CAGE CODE 00779												
			DRAWING NO C=2176791	SHEET 1 OF 2												
				REV BA												
			CUSTOMER DRAWING													

REVISIONS


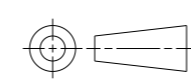
P	LTR	DESCRIPTION	DATE	DWN	APVD
	-	SEE SHEET 1	-	-	-

SCHEDULE

TCPN	CATALOGUE NUMBER	PART DESCRIPTION	PART STATUS
2176791-1	FWFU1WR47J	FWFU 1W R47 5%	PRODUCTION
2176791-2	FWFU1WR51J	FWFU 1W R51 5%	PRODUCTION
2176791-3	FWFU1WR56J	FWFU 1W R56 5%	PRODUCTION
2176791-4	FWFU1WR62J	FWFU 1W R62 5%	PRODUCTION
2176791-5	FWFU1WR68J	FWFU 1W R68 5%	PRODUCTION
2176791-6	FWFU1WR75J	FWFU 1W R75 5%	PRODUCTION
2176791-7	FWFU1WR82J	FWFU 1W R82 5%	PRODUCTION
2176791-8	FWFU1WR91J	FWFU 1W R91 5%	PRODUCTION
2176791-9	FWFU1WR0J	FWFU 1W R0 5%	PRODUCTION
1-2176791-0	FWFU1WR1J	FWFU 1W R1 5%	PRODUCTION
1-2176791-1	FWFU1WR2J	FWFU 1W R2 5%	PRODUCTION
1-2176791-2	FWFU1WR3J	FWFU 1W R3 5%	PRODUCTION
1-2176791-3	FWFU1WR5J	FWFU 1W R5 5%	PRODUCTION
1-2176791-4	FWFU1WR6J	FWFU 1W R6 5%	PRODUCTION
1-2176791-5	FWFU1WR8J	FWFU 1W R8 5%	PRODUCTION
1-2176791-6	FWFU1WR0J	FWFU 1W R0 5%	PRODUCTION
1-2176791-7	FWFU1WR2J	FWFU 1W R2 5%	PRODUCTION
1-2176791-8	FWFU1WR4J	FWFU 1W R4 5%	PRODUCTION
1-2176791-9	FWFU1WR7J	FWFU 1W R7 5%	PRODUCTION
2-2176791-0	FWFU1WR0J	FWFU 1W R0 5%	PRODUCTION
2-2176791-1	FWFU1WR3J	FWFU 1W R3 5%	PRODUCTION
2-2176791-2	FWFU1WR6J	FWFU 1W R6 5%	PRODUCTION
2-2176791-3	FWFU1WR9J	FWFU 1W R9 5%	PRODUCTION
2-2176791-4	FWFU1WR3J	FWFU 1W R3 5%	PRODUCTION
2-2176791-5	FWFU1WR7J	FWFU 1W R7 5%	PRODUCTION
2-2176791-6	FWFU1WR1J	FWFU 1W R1 5%	PRODUCTION
2-2176791-7	FWFU1WR6J	FWFU 1W R6 5%	PRODUCTION
2-2176791-8	FWFU1WR2J	FWFU 1W R2 5%	PRODUCTION
2-2176791-9	FWFU1WR8J	FWFU 1W R8 5%	PRODUCTION
3-2176791-0	FWFU1WR5J	FWFU 1W R5 5%	PRODUCTION
3-2176791-1	FWFU1WR2J	FWFU 1W R2 5%	PRODUCTION
3-2176791-2	FWFU1WR1J	FWFU 1W R1 5%	PRODUCTION
3-2176791-3	FWFU1WR0J	FWFU 1W R0 5%	PRODUCTION

SCHEDULE

TCPN	CATALOGUE NUMBER	PART DESCRIPTION	PART STATUS
3-2176791-4	FWFU1W 11RJ	FWFU 1W 11R 5%	PRODUCTION
3-2176791-5	FWFU1W 12RJ	FWFU 1W 12R 5%	PRODUCTION
3-2176791-6	FWFU1W 13RJ	FWFU 1W 13R 5%	PRODUCTION
3-2176791-7	FWFU1W 15RJ	FWFU 1W 15R 5%	PRODUCTION
3-2176791-8	FWFU1W 16RJ	FWFU 1W 16R 5%	PRODUCTION
3-2176791-9	FWFU1W 18RJ	FWFU 1W 18R 5%	PRODUCTION
4-2176791-0	FWFU1W 20RJ	FWFU 1W 20R 5%	PRODUCTION
4-2176791-1	FWFU1W 22RJ	FWFU 1W 22R 5%	PRODUCTION
4-2176791-2	FWFU1W 24RJ	FWFU 1W 24R 5%	PRODUCTION
4-2176791-3	FWFU1W 27RJ	FWFU 1W 27R 5%	PRODUCTION
4-2176791-4	FWFU1W 30RJ	FWFU 1W 30R 5%	PRODUCTION
4-2176791-5	FWFU1W 33RJ	FWFU 1W 33R 5%	PRODUCTION
4-2176791-6	FWFU1W 36RJ	FWFU 1W 36R 5%	PRODUCTION
4-2176791-7	FWFU1W 39RJ	FWFU 1W 39R 5%	PRODUCTION
4-2176791-8	FWFU1W 43RJ	FWFU 1W 43R 5%	PRODUCTION
4-2176791-9	FWFU1W 47RJ	FWFU 1W 47R 5%	PRODUCTION
5-2176791-0	FWFU1W 51RJ	FWFU 1W 51R 5%	PRODUCTION
5-2176791-1	FWFU1W 56RJ	FWFU 1W 56R 5%	PRODUCTION
5-2176791-2	FWFU1W 62RJ	FWFU 1W 62R 5%	PRODUCTION
5-2176791-3	FWFU1W 68RJ	FWFU 1W 68R 5%	PRODUCTION
5-2176791-4	FWFU1W 75RJ	FWFU 1W 75R 5%	PRODUCTION
5-2176791-5	FWFU1W 82RJ	FWFU 1W 82R 5%	PRODUCTION
5-2176791-6	FWFU1W 91RJ	FWFU 1W 91R 5%	PRODUCTION
5-2176791-7	FWFU1W 100RJ	FWFU 1W 100R 5%	PRODUCTION
5-2176791-8	FWFU1W 110RJ	FWFU 1W 110R 5%	PRODUCTION
5-2176791-9	FWFU1W 120RJ	FWFU 1W 120R 5%	PRODUCTION
6-2176791-0	FWFU1W 130RJ	FWFU 1W 130R 5%	PRODUCTION
6-2176791-1	FWFU1W 150RJ	FWFU 1W 150R 5%	PRODUCTION
6-2176791-2	FWFU1W 160RJ	FWFU 1W 160R 5%	PRODUCTION
6-2176791-3	FWFU1W 180RJ	FWFU 1W 180R 5%	PRODUCTION
6-2176791-4	FWFU1W 200RJ	FWFU 1W 200R 5%	PRODUCTION
6-2176791-5	FWFU1W 220RJ	FWFU 1W 220R 5%	PRODUCTION
6-2176791-6	FWFU1W 240RJ	FWFU 1W 240R 5%	PRODUCTION

THIS DRAWING IS A CONTROLLED DOCUMENT.		DWN RAMESHA L S 24APR2025	 TE Connectivity			
DIMENSIONS: mm		CHK TRACY G 24APR2025				
		APVD TRACY G 24APR2025				
TOLERANCES UNLESS OTHERWISE SPECIFIED:		PRODUCT SPEC	NAME FUSIBLE WIREWOUND FIXED RESISTOR TYPE FWFU 1W SERIES			
0 PLC ±		APPLICATION SPEC	SIZE A3	CAGE CODE 00779	DRAWING NO C-2176791	RESTRICTED TO
1 PLC ±		WEIGHT -	SCALE 5:1 SHEET 2 OF 2 REV BA			
2 PLC ±		CUSTOMER DRAWING				
3 PLC ±						
4 PLC ±						
ANGLES ±						
FINISH -						