

# Keylock Switches – Standard P2

---

## P2



Characteristics	<ul style="list-style-type: none"> <li>■ High security lock option</li> <li>■ Key trapping option</li> <li>■ Choice of change-over with spring return or change-over with separate circuits</li> <li>■ UL and CSA approved</li> </ul>
Rating	Up to 125 VAC, 4 A
Dimensions (mm)	44.9 x 19.1 dia
Actuator	Key - general duty or increased security options
Approvals	UL and CSA

## Preferred Product Range

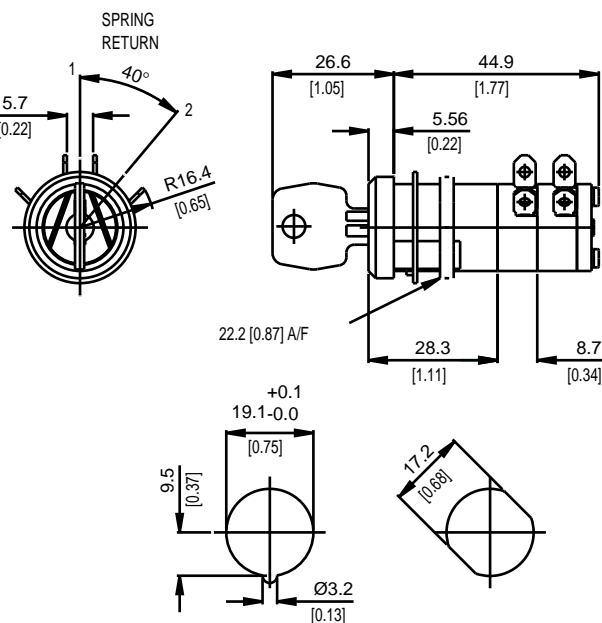
Ordering Reference	Terminal	Circuit	Actuator	Contacts	Electrical rating
P23FBA206	Screws	2 pole CO	Key	Silver	Up to 125 VAC, 4 A
P23FBA209	Screws	2 pole CO	Key	Silver	Up to 125 VAC, 4 A
P23FBC209	Screws	2 pole CO	Key	Silver	Up to 125 VAC, 4 A
P23FMA209	Screws	2 pole CO	Key	Silver	Up to 125 VAC, 4 A

# Keylock Switches – Standard P2

## Specifications

Key	Nickel silver
Body	Glass-fiber reinforced nylon
Springs	Stainless steel
Contacts	Silver
Terminals	4.8 x 0.8 mm (0.19 x 0.032 in) quick connect (faston) - silver-plated brass
Temperature range °C	-20°C to +85°C
Mechanical life	50,000 operations (minimum)
Mounting	Locknut and washer
Actuators	General duty or increased security keylocks
Switching function	Change-over (spring return), change-over (separate circuits)
Key indexing	90°

Dimensions  
mm [in]



## Recommended Maximum Electrical Ratings

Voltage (max)	Resistive load (A)	Inductive load	Horsepower	Approval
125 VAC	4 (0.75 pf)	-	-	UL 1054/CSA 22.2 No. 55 - 6,000 operations
250 VAC	2 (0.75 pf)	-	-	UL 1054/CSA 22.2 No. 55 - 6,000 operations
12 VDC	10	-	-	UL 1054/CSA 22.2 No. 55 - 6,000 operations

# Keylock Switches – Standard P2

## Operating Characteristics

Switching function	Reference	Actuator Type	Code	Key trapping	Diagram
2 pole change-over, spring return	P23FBA206 P23FMA206	Key Key	001 Run-of-production	No No	
2 pole change-over, separate circuits	P23FBA209 P23FMA209 P23DMA209	Key Key Key - increased security	001 Run-of-production Run-of-production	No No No	
2 pole change-over, separate circuits	P23FBC209 P23DMC209	Key Key - increased security	001 Run-of-production	Yes Yes	

## Ordering Reference – How to Build a Part Number

Type	P2
Actuators	3F Key - general duty 3D Key - increased security
Keycode	B 001 key M Production run key coding
Key trapping	A Key removable in all positions C Key trapped horizontally, right
Number of poles	2 2 poles
Switching function	06 Change-over with spring return 09 Change-over with separate circuits