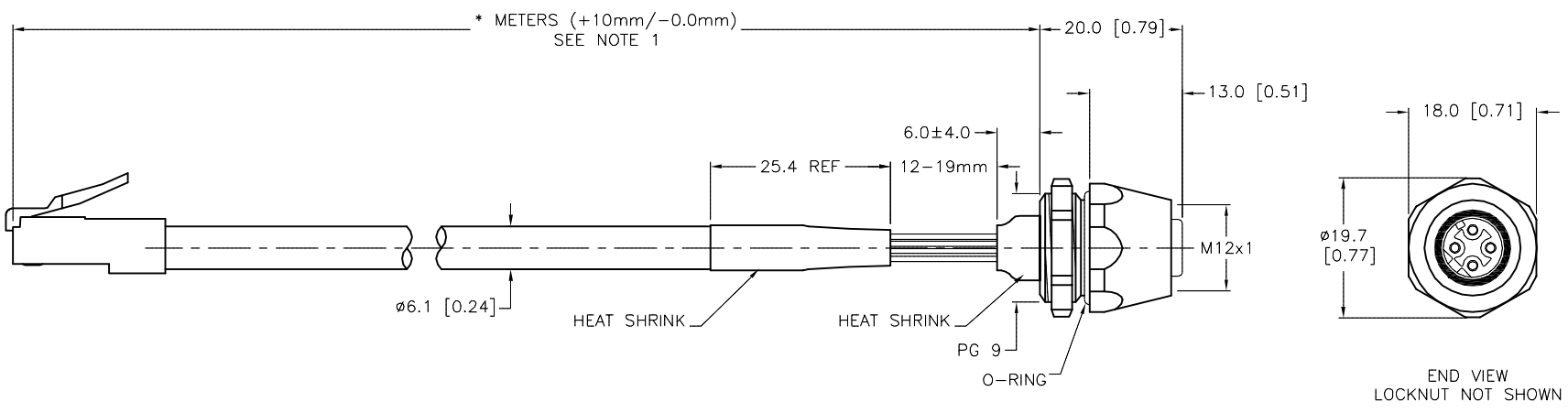


SPECIFICATIONS	
CONTACT CARRIER MATERIAL (RJ45)	POLYCARBONATE
CONTACT MATERIAL/PLATING (RJ45)	BRONZE/GOLD
CONTACT CARRIER MATERIAL/COLOR (FKDDV)	TPU/BLACK
CONTACT MATERIAL/PLATING (FKDDV)	BRASS/GOLD
COUPLING NUT MATERIAL/FINISH (FKDDV)	STAINLESS STEEL/PASSIVATED
RATED CURRENT [A]	1.5 A
RATED VOLTAGE [V]	42 V
OUTER CABLE JACKET MATERIAL/COLOR	TPE/TEAL
CONDUCTOR INSULATION MATERIAL	HDPE
NUMBER OF CONDUCTORS [AWG]	4x24 AWG, STRANDED, CAT 5e
TEMPERATURE RANGE	-40°C to +80°C (-40°F to +176°F)
PROTECTION CLASS	MEETS NEMA 1,3,4,6P AND IEC IP68 (IP20:RJ45)



SOURCE DRAWING - FOR REFERENCE ONLY

NOTES:

- "*" INDICATES CABLE LENGTH IN METERS. CONTACT TURCK TO ORDER SPECIFIC LENGTHS.
- "/CS12141" DESIGNATES NO OVERMOLD ON RJ45 CONNECTOR. SPECIAL STRIP AND HEAT SHRINK LOCATED ON FKDDV CONNECTOR END.

RELATED DOCUMENTS		3RD ANGLE PROJECTION		THIS DRAWING IS CONFIDENTIAL AND THE PROPERTY OF TURCK INC. USE OF THIS DOCUMENT WITHOUT WRITTEN PERMISSION IS PROHIBITED.		TURCK INC <i>High Technology Sensors and Automation Controls</i> 3000 CAMPUS DRIVE MINNEAPOLIS, MN 55441 1-800-544-7769 (763) 553-7300 (763) 553-0708 fax turck.com	
1.				DRFT RDS		DATE 06/22/09	
2.				APVD		SCALE 1=1.0	
3.		ALL DIMENSIONS DISPLAYED ON THIS DRAWING ARE FOR REFERENCE ONLY CONTACT TURCK FOR MORE INFORMATION		UNIT OF MEASUREMENT		DESCRIPTION	
4.				MILLIMETER [INCH]		RJ45 FKDDV 440-*M/CS12421	
MATERIAL		FINISH		IDENTIFICATION NO.		REV	
F		KMY		777024829		F	
UPDATE CABLE DIAMETER, TEMP RATING & PINOUTS		03/06/13		40495			
REV		BY		DATE		ECO NO.	
DESCRIPTION						SHEET 1 OF 1	

F	UPDATE CABLE DIAMETER, TEMP RATING & PINOUTS	KMY	03/06/13	40495
REV	DESCRIPTION	BY	DATE	ECO NO.