

# AGILA

1470POO075P40

EAN 4031582338553

Swivel castor, housing made of pressed steel, bright zinc plated, blue passivated, double ball bearing swivel head, plate fitting. Wheel centre made of Polypropylene, plain bearing



BETTER MOBILITY. BETTER LIFE.

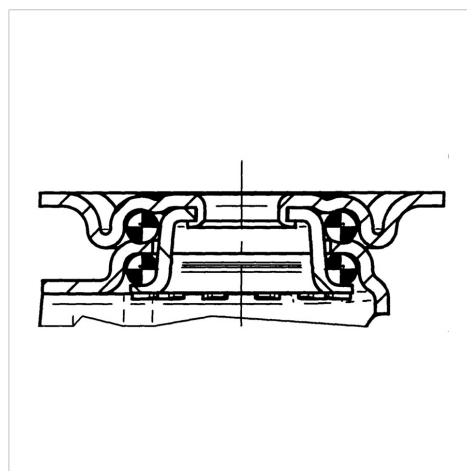


Picture may differ from original product

## Technical Data

Wheel diameter	75 mm
Width of Tread	25 mm
Size of Plate	60 x 60 mm
Plate hole centres	48/38 x 48/38 mm
Plate hole	6,3 mm
Offset	25 mm
Swivel Interference	125 mm
Overall height	100 mm
Temperature	- 20 / + 60 °C
Standard	EN 12530
Weight	0.246 kg
Swivel Radius	62.5 mm
Hardness of tread	Shore D 65
Load capacity	40 kg
Load capacity (static)	80 kg

## Structure & Mounting



## Advantages at a glance

Roll performance	● ● ● ○ ○
Movement noise	● ● ● ○ ○
Attrition	● ● ● ● ●
Corrosion resistance	● ● ● ○ ○

# AGILA

1470POO075P40

EAN 4031582338553



BETTER MOBILITY. BETTER LIFE.

## Structure & Mounting

