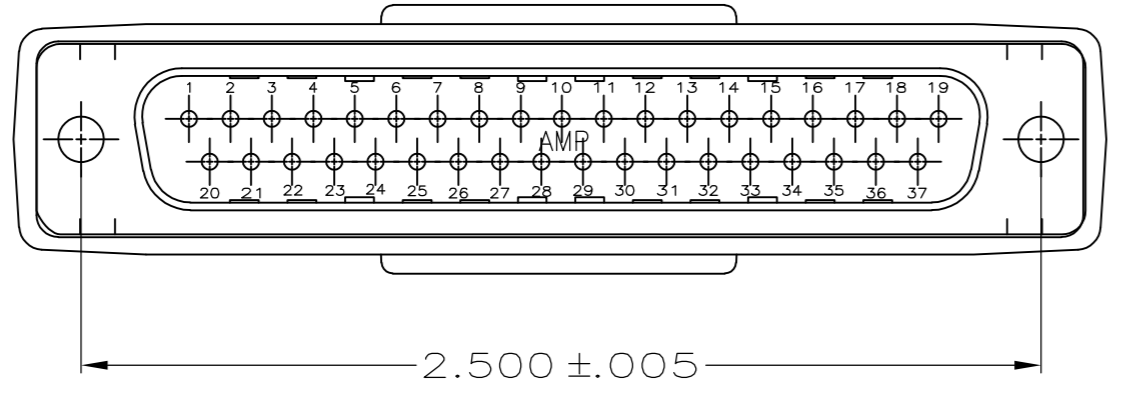
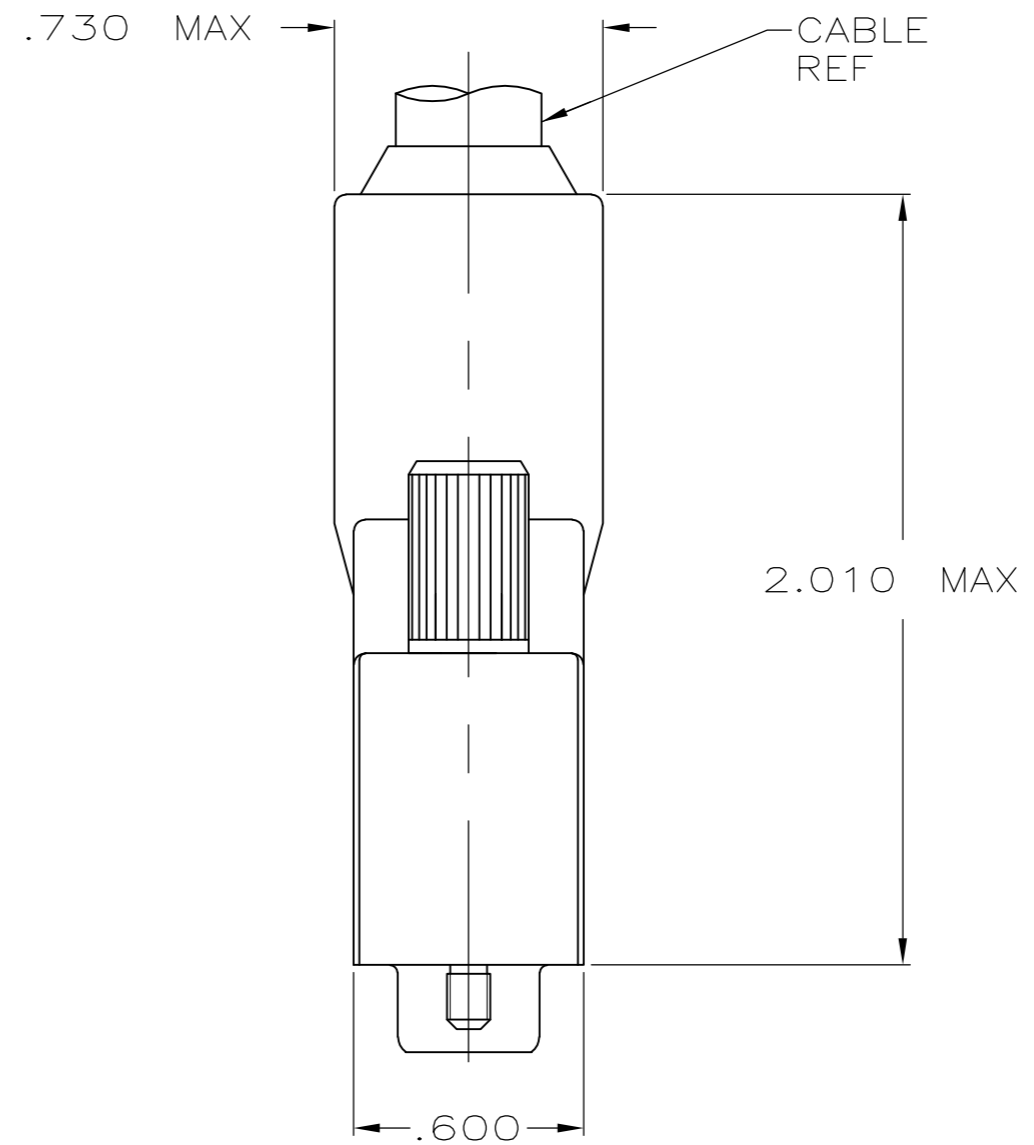
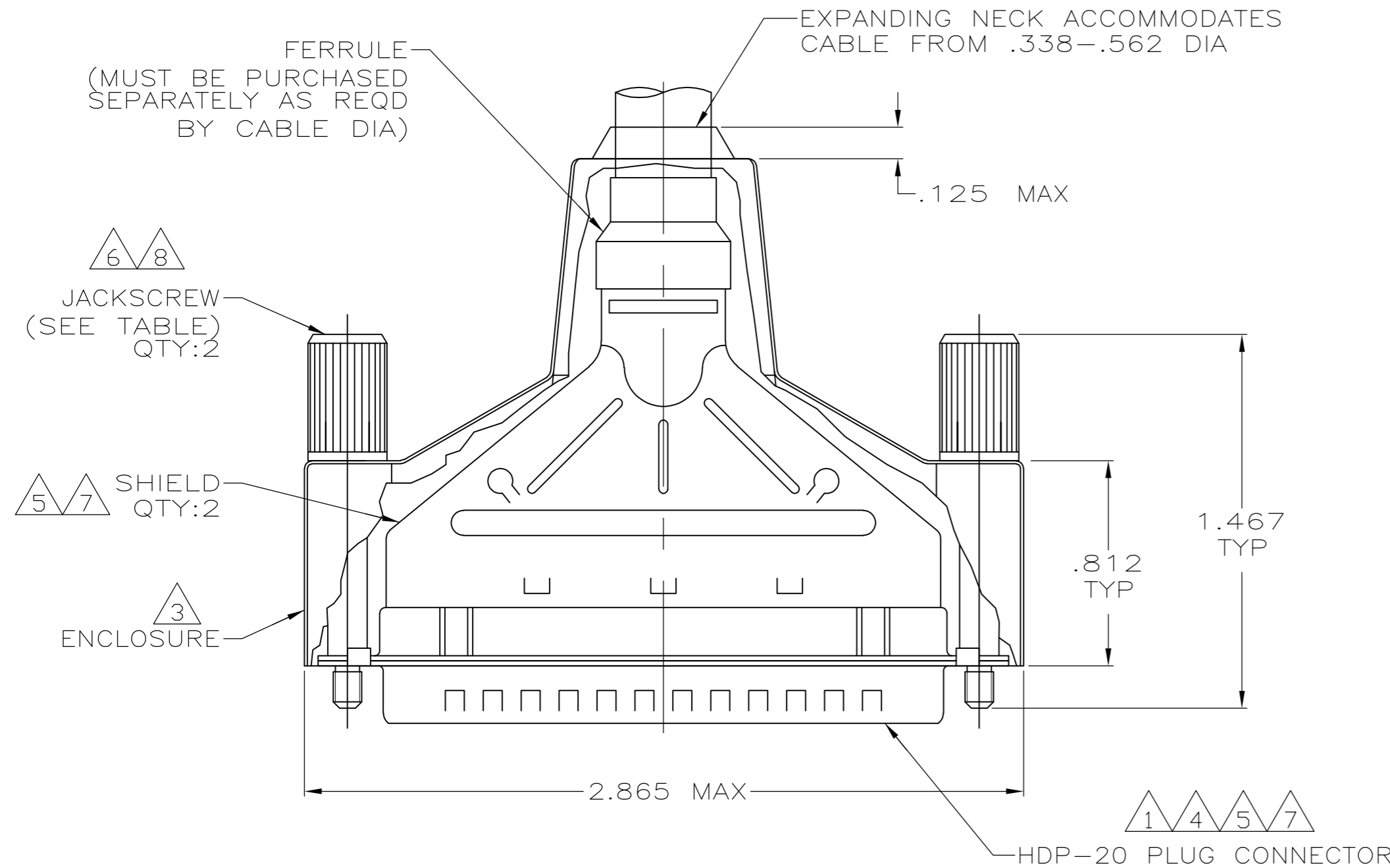


THIS DRAWING IS UNPUBLISHED. RELEASED FOR PUBLICATION
 © COPYRIGHT - By - ALL RIGHTS RESERVED.

LOC	DIST	REVISIONS					
GP	00	P	LTR	DESCRIPTION	DATE	DWN	APVD
		B		REVISED PER ECO-11-006475	20OCT2011	CJV	CWR

- 1 PLUG ACCEPTS SIZE 20 DF PIN CONTACTS. CONTACTS MUST BE PURCHASED SEPARATELY.
- 2. ALL PARTS SHIPPED UNASSEMBLED.
- 3 FLAME RETARDANT 94V-0 RATED, STYRENE POLYOLEFIN OR PVC, BLACK.
- 4 FLAME RETARDANT 94V-0 RATED GLASS FILLED, NYLON OR POLYESTER, BLACK.
- 5 STEEL PER ASTM A109.
- 6 ZINC ALLOY.
- 7 .000200 MIN TIN PLATE OVER .000100 MIN COPPER UNDERPLATE.
- 8 ELECTRODEPOSITED POLYURETHANE, BLACK.
- 9 COMPONENTS INDIVIDUALLY BULK PACKED.



OBSELETE	9	M3	5747958-4
		W/ LOGOS	5747958-1
PACKAGING	REMARKS	JACKSCREW THREADS	PART NUMBER

THIS DRAWING IS A CONTROLLED DOCUMENT.		DWN 11-10-04 G. ATTADIA - DOCK5	TE TE Connectivity	
DIMENSIONS: INCHES		CHK 11-10-04 J. GERACE		
TOLERANCES UNLESS OTHERWISE SPECIFIED:		APVD 11-10-04 M. WALMSLEY	NAME	
0 PLC ± -		PRODUCT SPEC	BULK KIT, PLUG, AMPLIMITE SHIELDING ENCLOSURE, 37 POSN, SIZE 4, HDP-20	
1 PLC ± -		108-40005 & 108-40030	SIZE CAGE CODE DRAWING NO	
2 PLC ± -		APPLICATION SPEC	RESTRICTED TO	
3 PLC ± .020		114-40030	A2 00779 C=5747958	
4 PLC ± -		WEIGHT -	SCALE 2:1 SHEET 1 of 1 REV B	
ANGLES ± -		CUSTOMER DRAWING		
FINISH				