

För icke direkt toleranssatta mått gäller toleransklass  
General tolerances if not otherwise stated

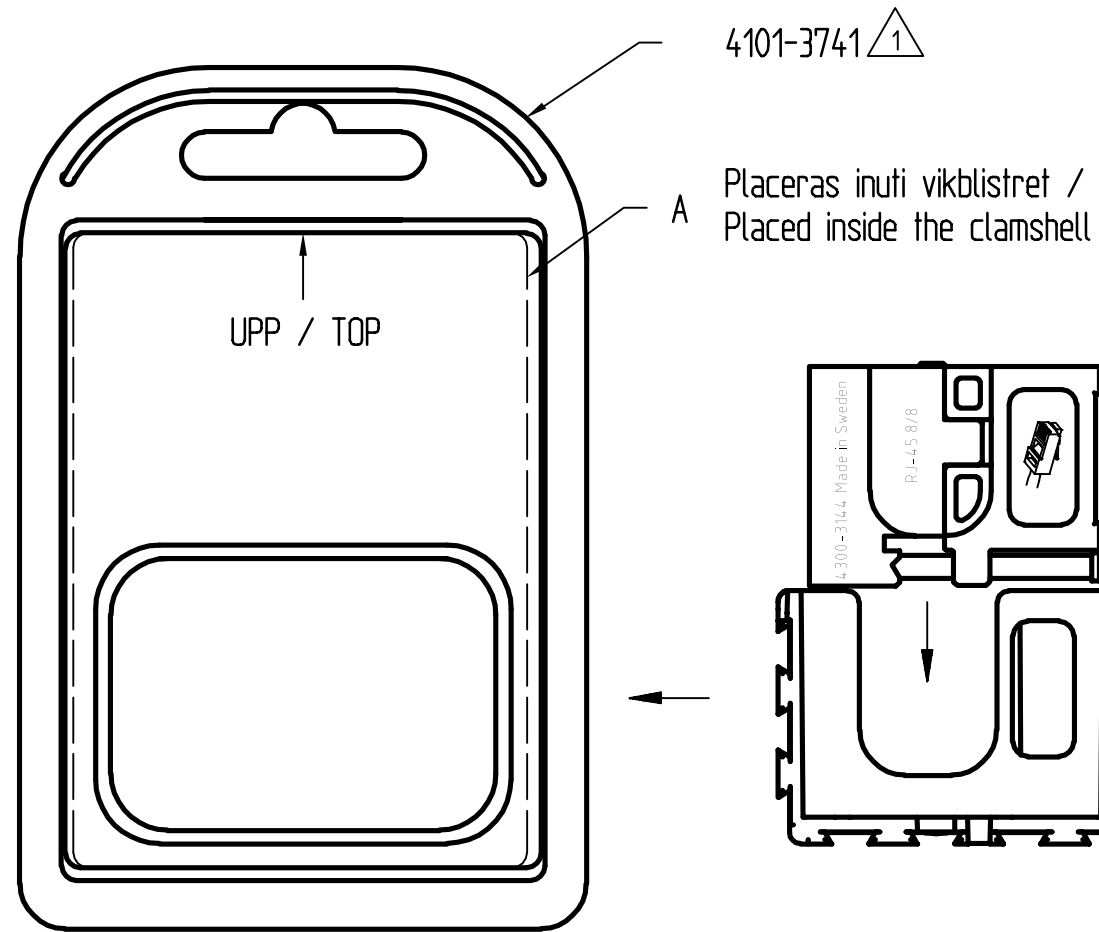
NOM DIM MM		TOL CLASS		
From	To	A	B	C
(1)	6	±0.05	±0.1	±0.2
(6)	30	±0.1	±0.2	±0.5
(30)	100	±0.15	±0.3	±0.8
(100)	300	±0.2	±0.5	±1.2
(300)	1000	±0.3	±0.8	±2

Hål / Holes H13

Skarpa kanter brutna där ej annat anges.  
No sharp edges unless otherwise specified.

Övriga generella toleranser enligt ritning 4100-4644.  
Additional general tolerances in accordance with drawing 4100-4644.

Den här ritning är Pressmaster AB:s egendom. Skyddad av gällande lag.  
This drawing is the property of Pressmaster AB. Protected in accordance with prevailing law.



Rev	Change order	Change: A = Added W = Was D = Deleted	Date	Sign
1	1021244000	4101-3741 W 4101-2949 A 4300-3144/AAB 4101-3747L 4101-3568J ÄNDRAD/CHANGED	041118	SE

Pressback kompl. placeras i hållaren vid packning/  
Die Compl. placed in holder when packaging

1		
4300-3144/AAB	4101-3747 L	4101-3490
4300-3144/AAA	4101-3568 J	4101-3490
ART.NR.VAR.	A	B

Material		Behandling/Treatment			Status	
Konstr./Design	Ritad/Drawn	Datum/Date	Skala/Scale	Kontr./Checked	Godk./Approved	Anne/Blank
TGW	TGW	2004-11-18	1:1			
<b>pressmaster</b> 				Benämning/Denomination		Vikt/Weight, gram
				PRESSBACK RJ-45 8/8 DIE SET		Art grp 011
				Ritn nr./Drawing no		REV
				43003144		001