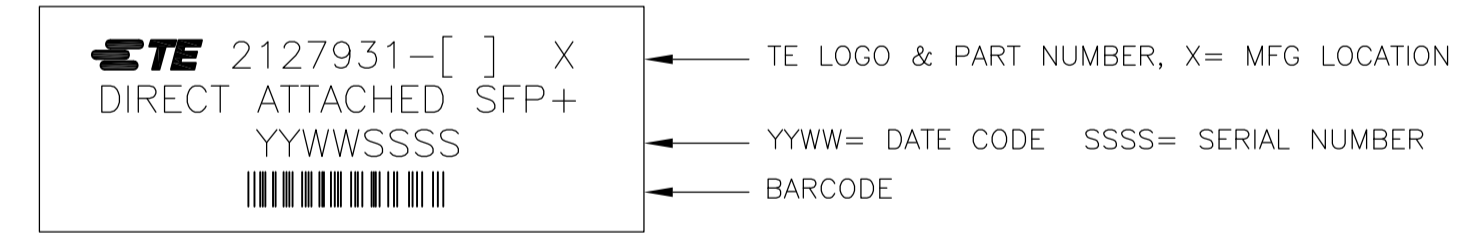
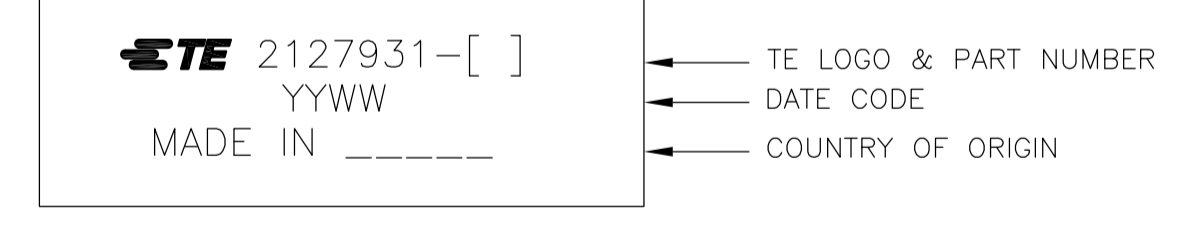


1. CHARACTERISTIC IMPEDANCE: 100±10 OHMS (MEASURED DIFFERENTIALLY).

2 LABEL INFORMATION:



3 LABEL INFORMATION:



4. SEE SHEET 2 FOR WIRING SCHEMATIC.

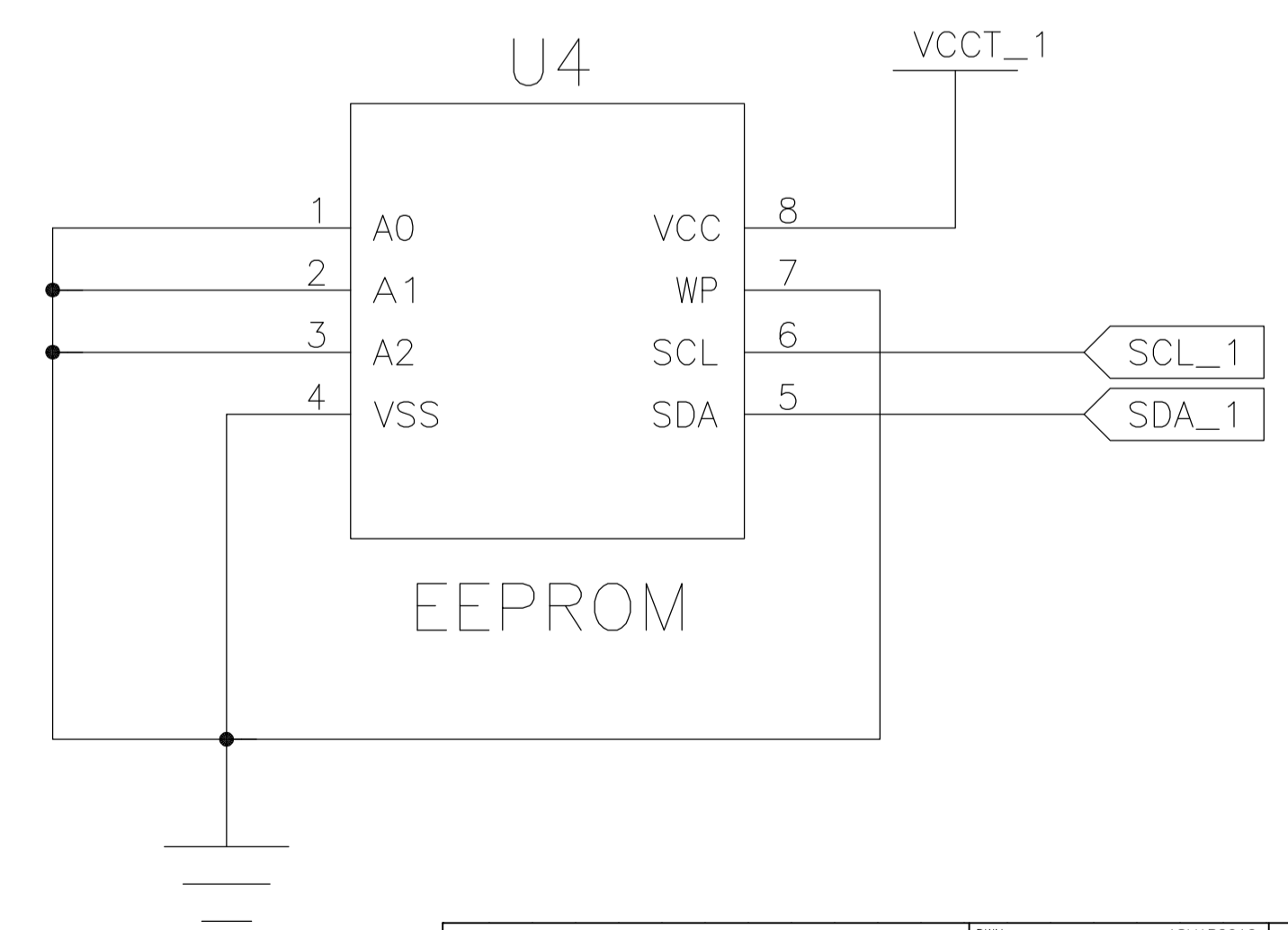
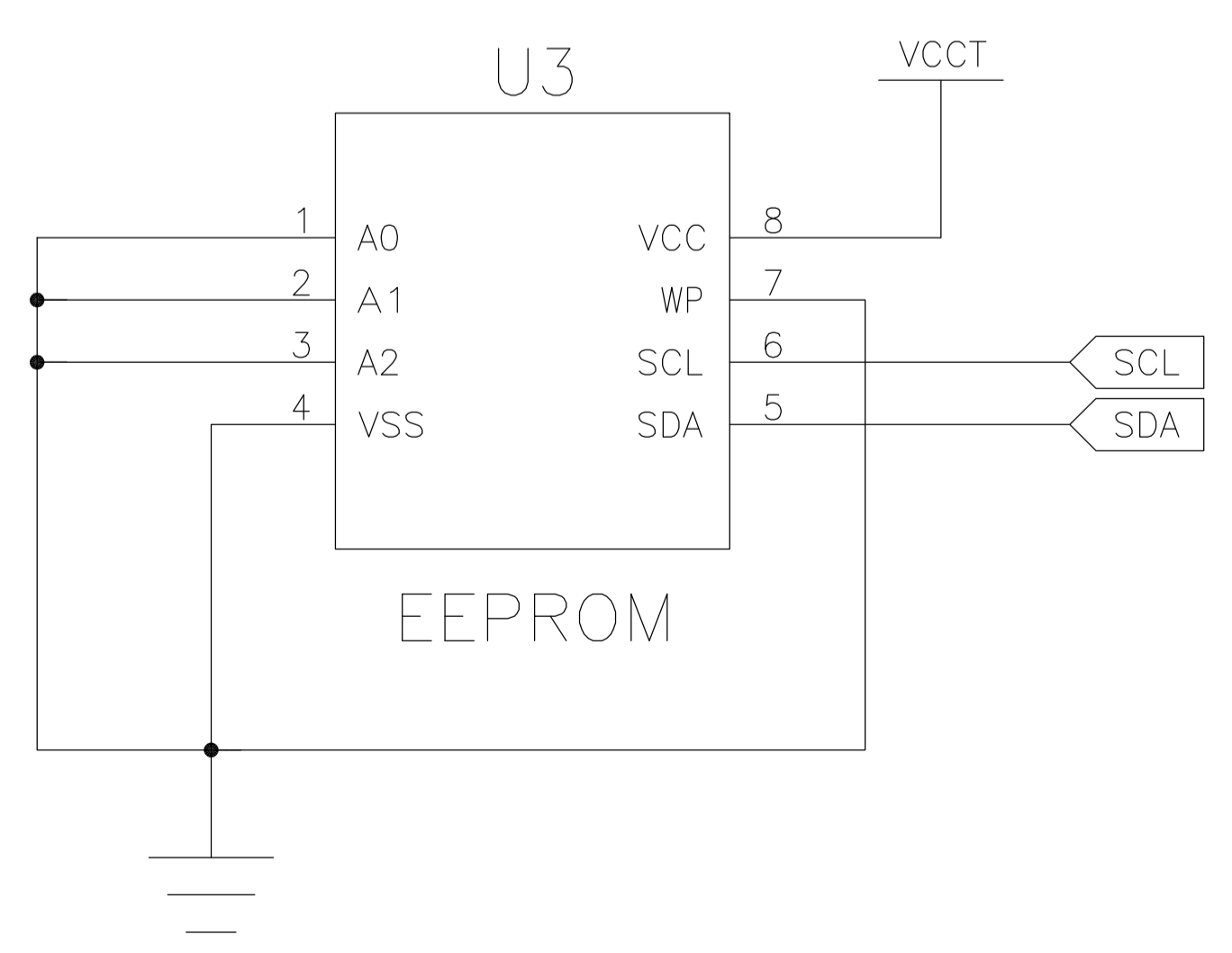
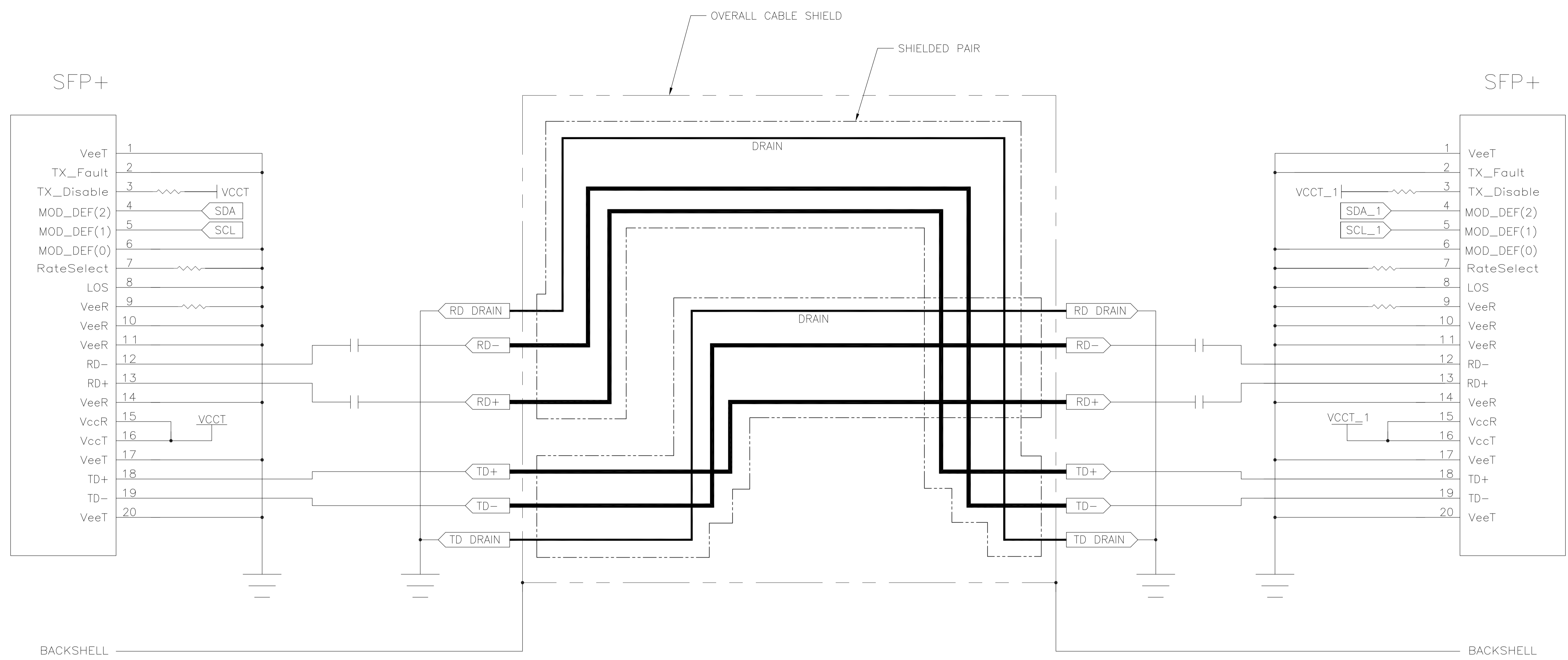
5. ROHS COMPLIANCE: PRODUCT AND PROCESSING MEETS REQUIREMENTS OF TE SPECIFICATION TEC-138-702.

3 +0.08 - 0	METERS	2127931-4
2 +0.08 - 0	METERS	2127931-3
1 +0.05 - 0	METERS	2127931-2
0.5 +0.05 - 0	METERS	2127931-1
L		PART NO

THIS DRAWING IS A CONTROLLED DOCUMENT.

DIMENSIONS:	TOLERANCES UNLESS OTHERWISE SPECIFIED:	DIN	T. SMITH	18MAR2010
mm	0 PLC ± -	CHK	C. ADAMS	18MAR2010
	1 PLC ± -	APVD	C. ADAMS	18MAR2010
	2 PLC ± -	NAME	CABLE ASSY, 30 AWG, SFP+ TO SFP+	
	3 PLC ± -	PRODUCT SPEC	-	
	4 PLC ± -	APPLICATION SPEC	-	
	ANGLES ± -	SIZE	CAGE CODE	DRAWING NO
MATERIAL	FINISH	WEIGHT	A1 00779	2127931
CUSTOMER DRAWING		SCALE	1:1	SHEET 1 OF 2

RESTRICTED TO: -



THIS DRAWING IS A CONTROLLED DOCUMENT.		DIN T. SMITH 18MAR2010		TE Connectivity	
DIMENSIONS: mm		CHK C. ADAMS 18MAR2010			
TOLERANCES UNLESS OTHERWISE SPECIFIED:		APVD C. ADAMS 18MAR2010		NAME	
0. PLC ± .		PRODUCT SPEC		CABLE ASSY, 30 AWG, SFP+ TO SFP+	
1. PLC ± .		APPLICATION SPEC		SIZE	
2. PLC ± .		WEIGHT		CAGE CODE	
3. PLC ± .		A1 00779		DRAWING NO	
4. PLC ± .		2127931		RESTRICTED TO	
ANGLES ± .		CUSTOMER DRAWING		SCALE	
FINISH		SCALE 1:1		SHEET 2 OF 2	