

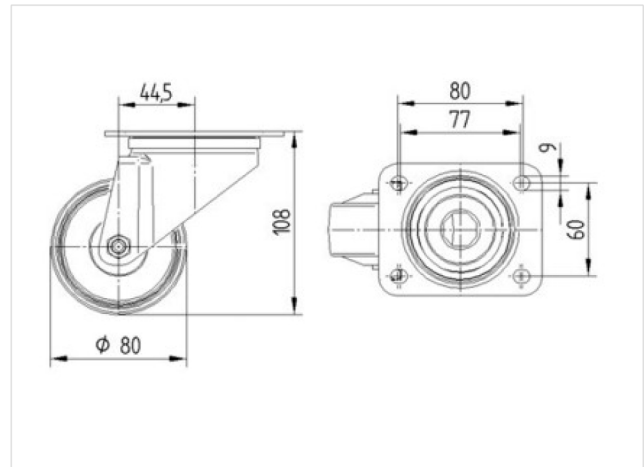
3470PIR080P62, tyre RAL 5017

Swivel castor, housing made of pressed steel, bright zinc plated, blue passivated, double ball bearing swivel head, wheel axle with nut, dustguard, plate fitting.

Wheel centre made of Polypropylene, Tread: solid rubber, blue non-marking, roller bearing



Technical Data	
Wheel diameter	80 mm
Width of Tread	35 mm
Size of Plate	105 x 85 mm
Plate hole centres	80/77 x 60 mm
Plate hole	9 mm
Offset	44.5 mm
Swivel Interference	169 mm
Overall height	108 mm
Temperature	- 20 / + 60 °C
Standard	EN 12532
Weight	0.787 kg
Swivel Radius	84.5 mm
Hardness of tread	A 80 Shore
Load capacity	70 kg
Load capacity (static)	140 kg



Roll performance	+	+	+	+	+
Movement noise	+	+	+	+	+
Attrition	+	+	+	+	+
Corrosion resistance	+	+	+	+	+

3470PIR080P62 tyre RAL 5017

