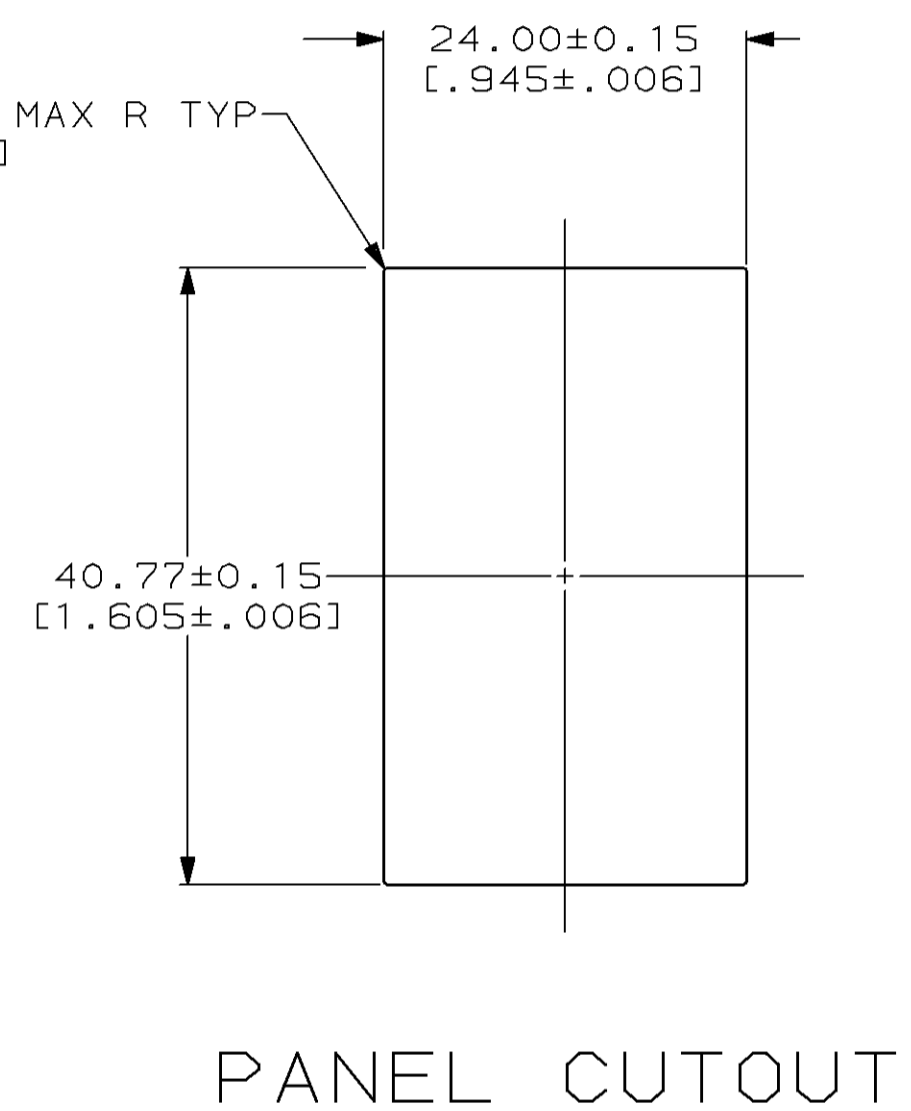
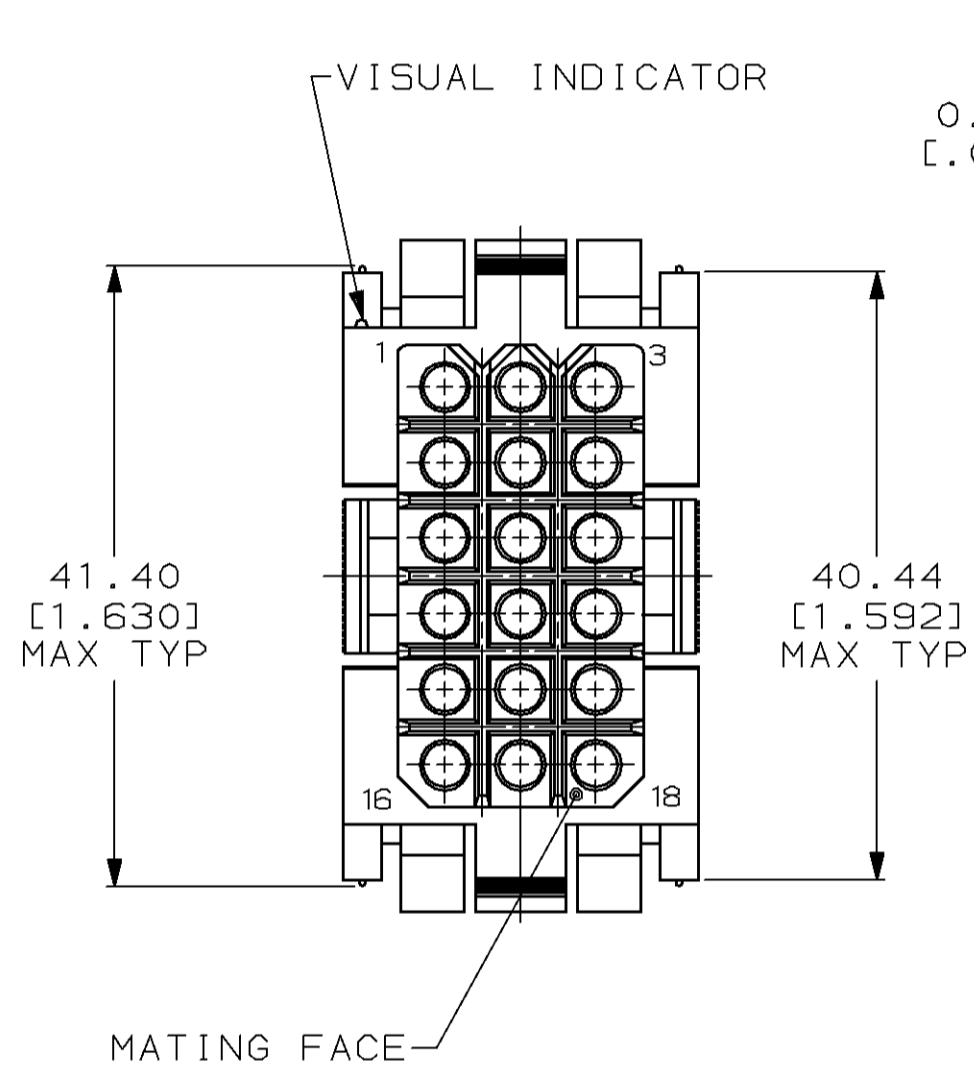
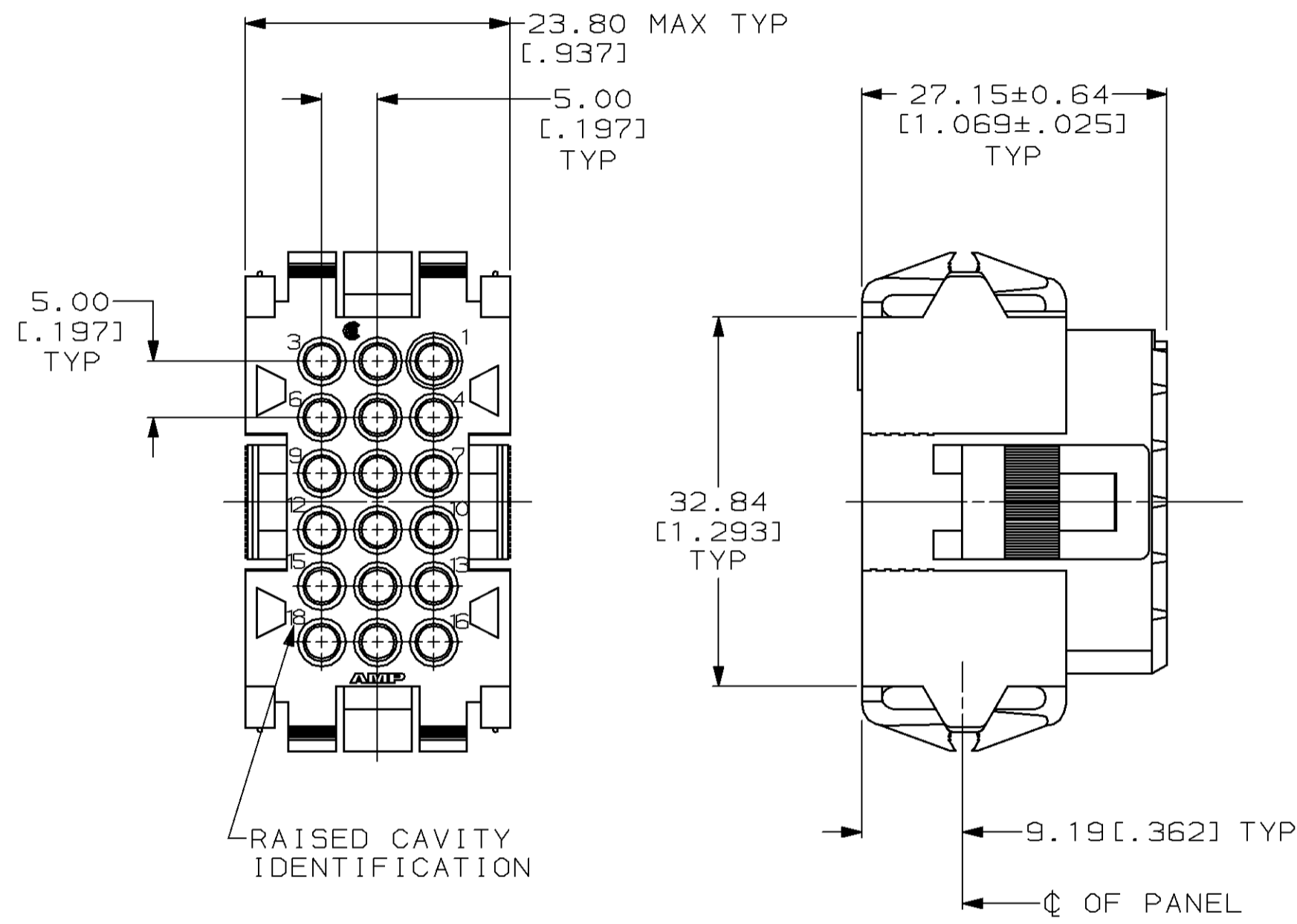


MOD		LOC		DIST		REVISIONS				
P	F	ZONE	LTR	DESCRIPTION	DATE	APPD				
1		BD		37			E	REDRAWN & REVISED PER ECN BD6668	08/26/92	-
							F	REV PER EC 0020-250-94	03/24/94	AT



1. PANEL RETENTION MECHANISM ACCOMMODATES PANEL THICKNESSES FROM 0.76 [0.030] TO 2.29 [0.090].

DO NOT SCALE PRINT. UNLESS SPECIFIED DIMENSIONS IN mm [INCHES] TOLERANCES ON:		DR 08/26/92 W.LENKER		AMP Incorporated Harrisburg, PA 17105-3608	
2 PLC DEC ± 0.25 [0.010]		CHK 8-31-92 R.STONE			
3 PLC DEC ± -		APPD 9-2-92 A.TRAVIS		NAME HOUSING, PLUG, 18 POSITION, METRIMATE	
ANGLES ± -		APPD 9-3-92 C.ROHDE			
MATERIAL NYLON, COLOR: RED		PRODUCT SPEC 108-10033		SIZE	CAGE CODE
FINISH -		APPLICATION SPEC -		③	00779
		WEIGHT -		SCALE	DRAWING NO
				2:1	③=207442
				SHEET	1 OF 1

THIS DRAWING IS A CONTROLLED DOCUMENT FOR AMP INCORPORATED. IT IS SUBJECT TO CHANGE AND THE CONTROLLING ENGINEERING ORGANIZATION SHOULD BE CONTACTED FOR THE LATEST REVISION.