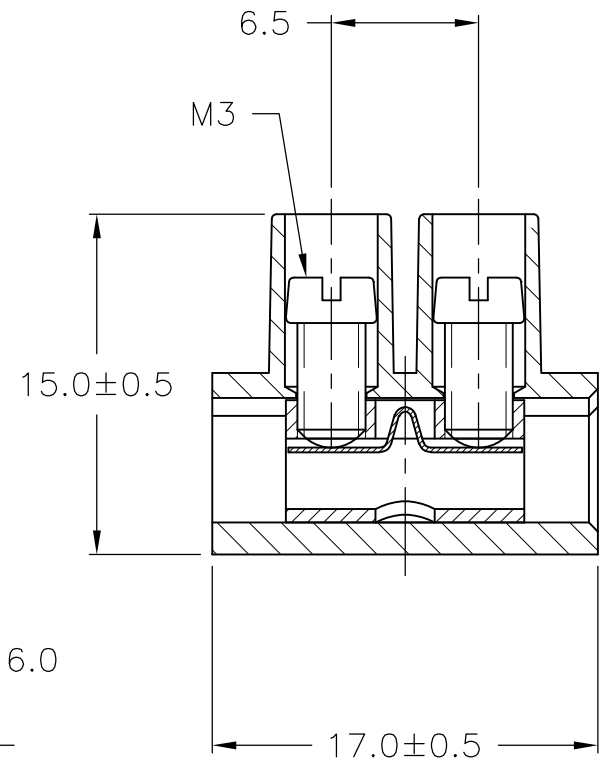
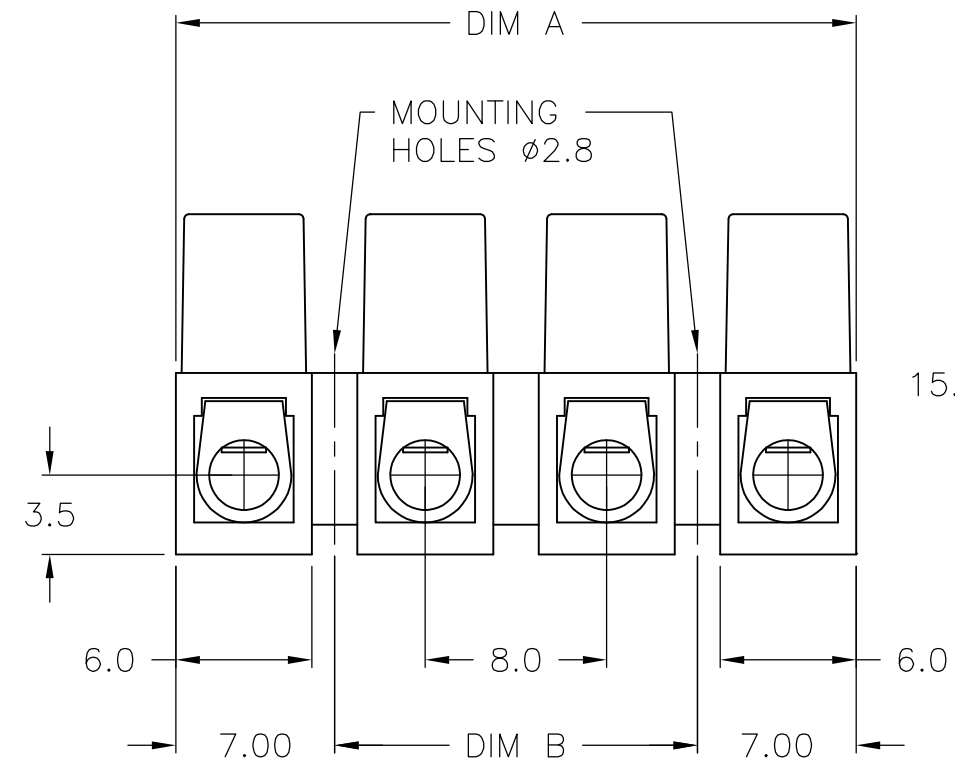


THIS DRAWING IS UNPUBLISHED. RELEASED FOR PUBLICATION
 © COPYRIGHT - By - ALL RIGHTS RESERVED.


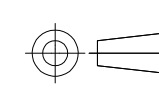
LOC	DIST	REVISIONS					
FT	0	P	LTR	DESCRIPTION	DATE	DWN	APVD
		P		REVISED PER ECO-11-004587	11MAR11	RK	HMR



MATERIAL:
 HOUSING: POLYIMIDE 6 UL94V-2.
 COLOR: NATURAL (OFF WHITE)
 TUBULAR CONTACT: BRASS TIN PLATED.
 SCREW: STEEL M3 ZINC W/ NON-HEXAVALENT CHROMATE (CHROME III).
 WIRE PROTECTOR: STAINLESS STEEL

ELECTRICAL:
 UL/CSA
 CURRENT RATING: 30A, 250V.
 WIRE RANGE: 12-22 AWG.
 VDE
 CURRENT RATING:
 TO EN60 598: 16A
 TO EN60 998: 24A
 CONDUCTOR SIZE: UP TO 1.5 mm²

80.0	94.0±1.0	12	TSB23012DS	1-1776293-2
72.0	86.0±0.7	11	TSB23011DS	1-1776293-1
64.0	78.0±0.7	10	TSB23010DS	1-1776293-0
56.0	70.0±0.7	9	TSB23009DS	1776293-9
48.0	62.0±0.7	8	TSB23008DS	1776293-8
40.0	54.0±0.7	7	TSB23007DS	1776293-7
32.0	46.0±0.7	6	TSB23006DS	1776293-6
24.0	38.0±0.5	5	TSB23005DS	1776293-5
16.0	30.0±0.5	4	TSB23004DS	1776293-4
8.0	22.0±0.5	3	TSB23003DS	1776293-3
-	14.0±0.5	2	TSB23002DS	1776293-2
-	6.0±0.3	1	TSB23001DS	1776293-1
DIM B	DIM A	NO POSN	CATALOG NUMBER	PART NUMBER

THIS DRAWING IS A CONTROLLED DOCUMENT.		DWN	S SCHLEGEL	3/18/05	 TE Connectivity					
DIMENSIONS: mm		CHK	C RICHARD	3/18/05				NAME EUROPA TERMINAL BLOCK W/WIRE PROTECTOR MOUNTING HOLES 2.8 DIA., 8.0mm PITCH		
		APVD	C RICHARD	3/18/05						
TOLERANCES UNLESS OTHERWISE SPECIFIED:		MATERIAL			SCALE SHEET REV					
0 PLC ± - 1 PLC ± .3 2 PLC ± .25 3 PLC ± - 4 PLC ± - ANGLES ± 2		FINISH			CUSTOMER DRAWING NTS 1 OF 1 P					