

NEW



Micro-USB Connector

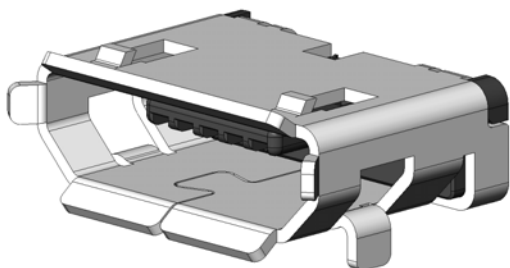
CONNECTOR

DX4 Series

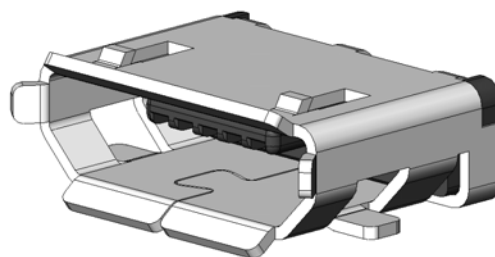
MB-0187-1

August 2008

RoHS Compliant



[Through-hole mount Type]



[Surface mount Type]

The DX4 Series is a compact and slim connector that is compatible with the Micro-USB type USB connector, newly standardized by the USB Implementers Forum, Inc.

Features

- Compatible with Universal Serial Bus Micro-USB Cables and Connectors Specification, Revision 1.01
- Connector type: Type B
- Slim, space saving connector with 2.35mm height, 5mm depth
- Available in through-hole mount type and surface mount type
- Structure with enhanced resistant to twisting through use of high strength stainless steel.

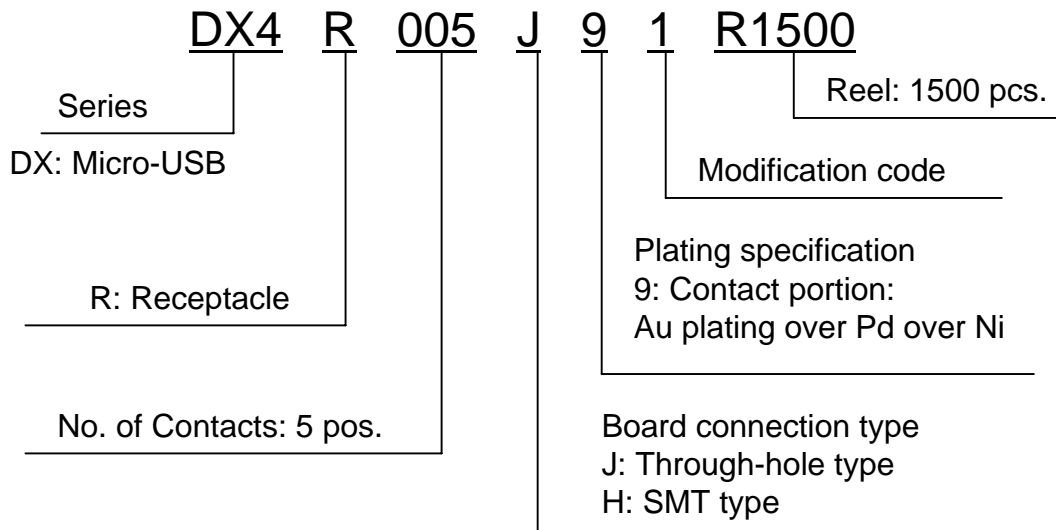
General Specifications

- | | |
|---|----------------------------------|
| ■No. of contacts: 5 pos. | ■Rated voltage: 1.8A (Vbus, GND) |
| ■Contact resistance: | Others 0.5A |
| 30m ohm max. (initial) | ■Rated Voltage: AC30Vrms |
| ■Dielectric withstanding voltage: | ■Operating temperature: |
| DC500 per minute | -30 Deg. C to +80 Deg. C |
| ■Insulation resistance: 1000M ohm (initial) | ■Durability: 10,000 times |

Materials and Finishes

Component	Material/ Finish
Insulator	Glass filled nylon resin UL94V-0
Contact	Copper alloy/ Contact area: Au plating over Pd over Ni Terminal area: Au flash plating over Ni
Shell	Stainless steel/ Sn plating over Ni

Ordering Information

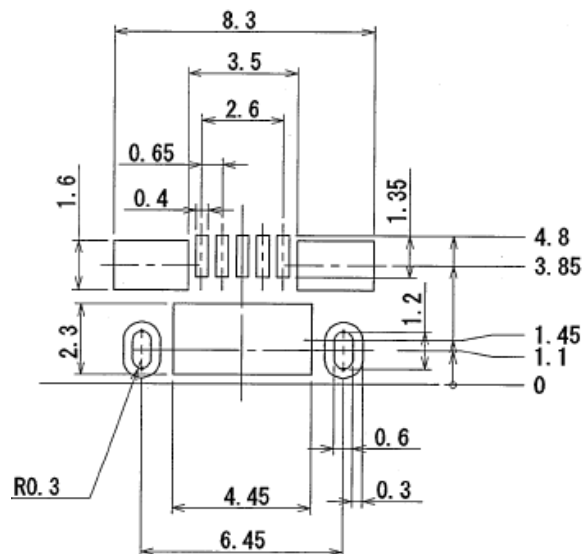
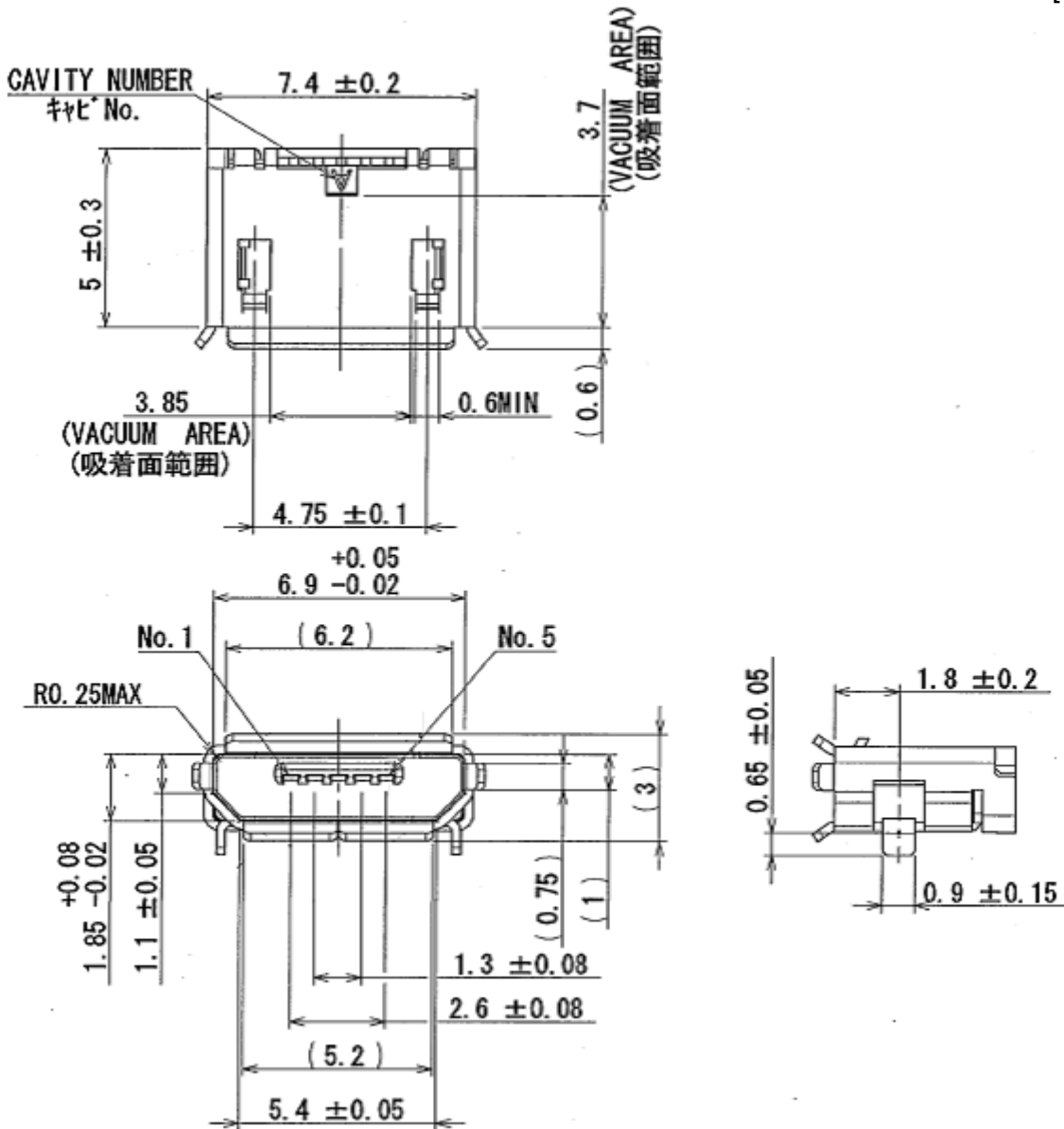


Micro-USB Connector Type	Part Number	SJ Drawing	Specifications
Type B	Individual Product (Through-hole Type): DX4R005J91	SJ107045	JACS-30097
	Reel (Through-hole Type): DX4R005J91R1500	SJ107053	
	Individual Product (SMT Type): DX4R005H91	SJ107089	
	Reel (SMT Type): DX4R005H91R1500	SJ107387	

Note: Please place your order in reel units.

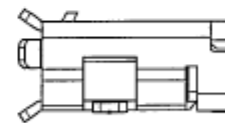
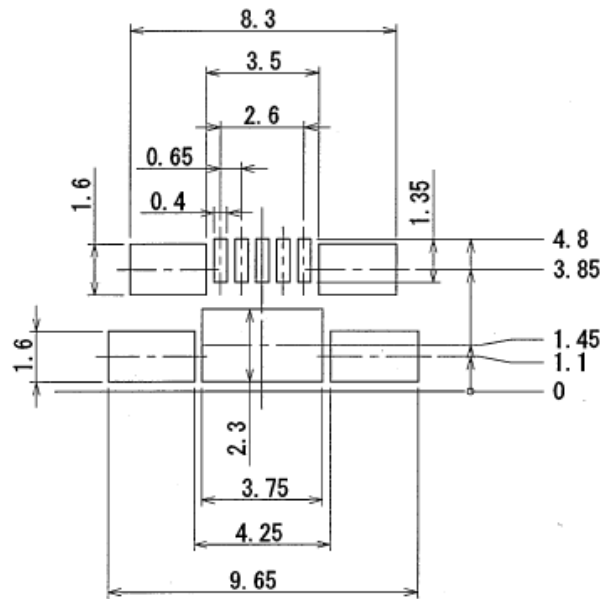
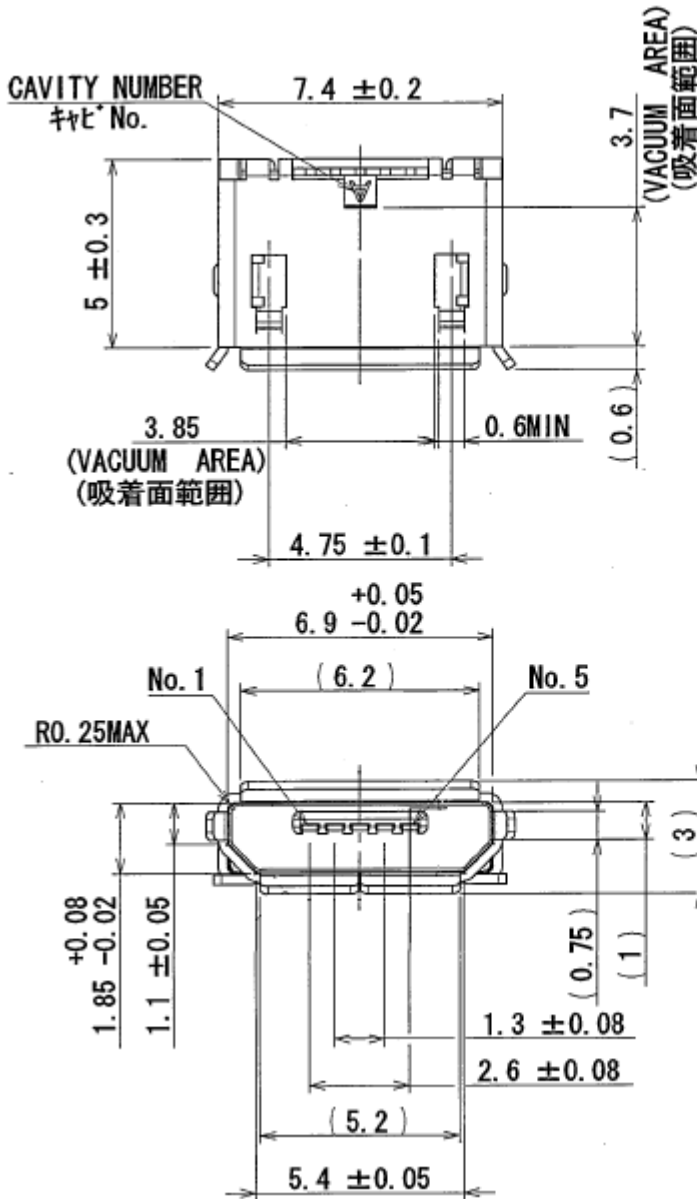
Through-hole Type: DX4R005J91

Unit: [mm]



Applicable Dimensions of Board (for Reference)

SMT Type: DX4R005H91



Applicable Dimensions of Board (for Reference)

Japan Aviation Electronics Industry, Limited

Product Marketing Division
 Aobadai Building, 3-1-19, Aobadai, Meguro-ku, Tokyo 153-8539
 Phone: +81-3-3780-2787 FAX: +81-3-3780-2946

Notice: Products shown in this leaflet are made for the applications listed below. However, if the above-mentioned products are to be used in aerospace devices, marine cable-connection devices, atomic power control systems, medical equipment for life-support systems, or any other specific application requiring extremely high reliability, please contact JAE for further information.
 Recommended applications: computers, office machines, measuring devices, telecommunication devices (terminals, mobile devices), AV devices, household applications, FA devices, etc.

* The specifications in this brochure are subject to change without notice. Please contact JAE for information.
 JAE PMK Div. Proprietary. Copyright © 2008, Japan Aviation Electronics Industry, Ltd.

Mouser Electronics

Authorized Distributor

Click to View Pricing, Inventory, Delivery & Lifecycle Information:

[JAE Electronics:](#)

[DX4R005J91R1500](#) [DX4R005H91R1500](#)