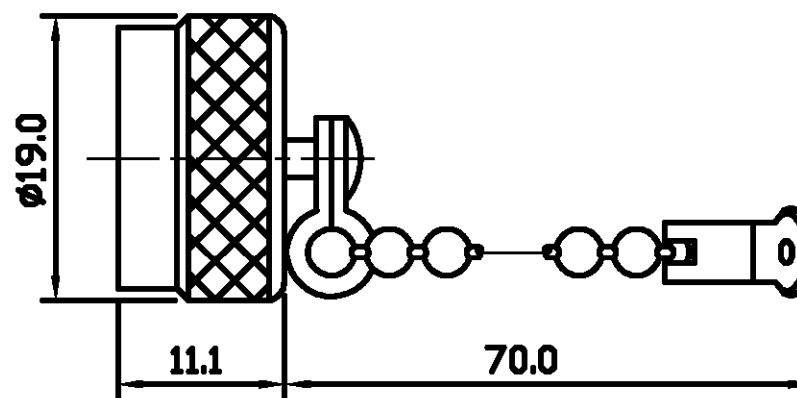


THIS DRAWING IS UNPUBLISHED. RELEASED FOR PUBLICATION 18.12.00, 18.12.00

© COPYRIGHT - 2001 BY TYCO ELECTRONICS CORPORATION. ALL RIGHTS RESERVED.

LOC	DIST	REVISIONS			
P	LTR	DESCRIPTION	DATE	DWN	APVD
E	B	A	RELEASE FOR PRODUCTION	18.12.00	RS RG



ALL DIMENSIONS ARE NOMINAL. FOR REFERENCE ONLY.

DIE SET PART NUMBER	N/A
HANDTOOL PART NUMBER	N/A
FOR USE ON CABLES	N/A
CONNECTOR PLATING DETAIL	SILVER
CONTACT PLATING DETAIL	N/A
DIELECTRIC MATERIAL	N/A
GASKET MATERIAL	N/A

BAG	SINGLE ITEM	1-1478230-0
PACK TYPE	DESCRIPTION	PART NUMBER

THIS DRAWING IS A CONTROLLED DOCUMENT.		DWN R SMITH 18.12.00	Tyco Electronics Corporation Stanmore, Middlesex, HA7 4RS	
DIMENSIONS: MM		CHK R GOODALL 18.12.00	NAME TYPE N PLUG DUST CAP & CHAIN	
TOLERANCES UNLESS OTHERWISE SPECIFIED:		APVD R GOODALL 18.12.00	SIZE A3 CAGE CODE 00779 DRAWING NO C-1478230 RESTRICTED TO -	
0 PLC ± -		PRODUCT SPEC 108-3435	SCALE NTS SHEET 1 OF 1 REV A	
1 PLC ± -		APPLICATION SPEC -		
2 PLC ± -		WEIGHT -		
3 PLC ± -		CUSTOMER DRAWING		
4 PLC ± -				
ANGLES ± -				
MATERIAL -	FINISH -			