

Panel Builders Tool Set – 795-6789



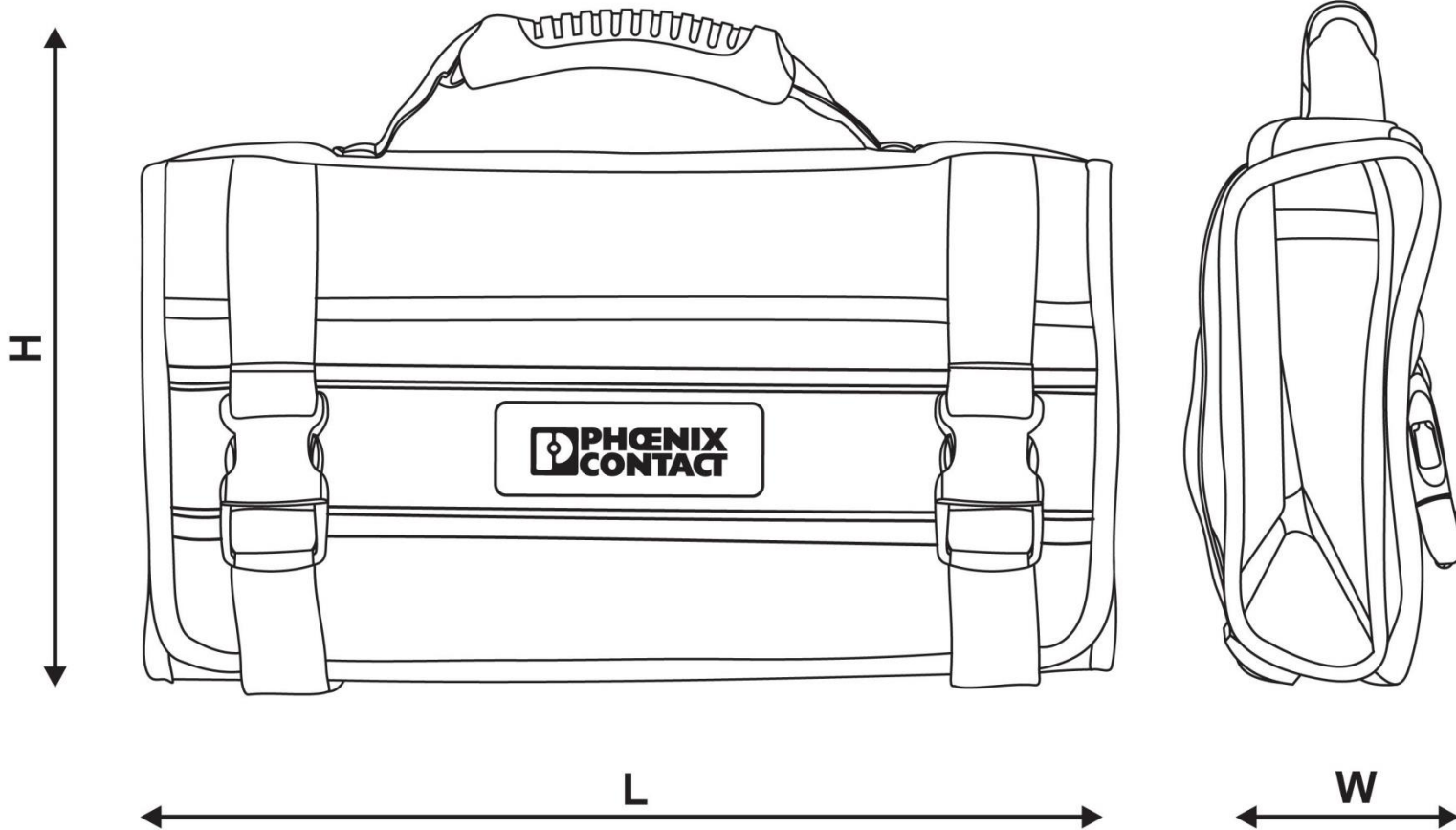
Panel Builders Tool Set – 795-6789



Ref. no.	Item	
1212501	TOOL WRAP EMPTY	Wrap-up tool bag, empty
1212126	CUTFOX 16 VDE	Cable cutter, precision blade with macro-notching, for copper and aluminum up to 50 mm ² , VDE 1000 V AC/1500 V DC tested
1212207	CUTFOX-S VDE	Diagonal cutter for copper and aluminum conductors, VDE-tested
1212202	UNIFOX-C VDE	Combination pliers, cross-notched grip area, integrated M8 - M10 ring wrench, VDE 1000 V AC/1500 V DC tested
1212204	UNIFOX-P VDE	Needle-nose pliers with blade, notched grip area, VDE 1000 V AC/1500 V DC tested
1212150	WIREFOX 10	Stripping tool, for cables and conductors from 0.02 - 10 mm ² , self-adjusting, stripping length of up to 18 mm, cutting capacity of up to 10 mm ² stranded/1.5 mm ² solid, replaceable stripping blade
1212563	SF PZ1 -80	Screwdriver, PZ crosshead (lasered), uninsulated, size: PZ 1 x 80, 2-component grip, with non-slip grip
1212564	SF PZ2 -100	Screwdriver, PZ crosshead (lasered), uninsulated, size: PZ 2 x 150, 2-component grip, with non-slip grip
1212547	SF-SL 0,4X2,5 -75	Screwdriver, slot-headed, size: 0.4 x 2.5 x 75 mm, 2-component grip, with non-slip grip
1212549	SF-SL 0,6X3,5 -100	Screwdriver, bladed (lasered), size: 0.6 x 3.5 x 100 mm, 2-component grip, with non-slip grip
1212551	SF-SL 0,8X4,0 -100	Screwdriver, bladed (lasered), size: 0.8 x 4.0 x 100 mm, 2-component grip, with non-slip grip
1212552	SF-SL1,0X5,5 -150	Screwdriver, bladed (lasered), size: 1.0 x 5.5 x 150 mm, 2-component grip, with non-slip grip
1207608	ST BW	Actuation tool, for all 2.5 mm ² - 4.0 mm ² spring-cages
1212525	SF-CCK 9	Control cabinet keys made of metal for all the usual closures: Two-way key bit 3-5 mm, square 5,6,7-8,9-10 mm, triangle 7,8-9,10-11 mm, special 6 mm
1212034	CRIMPFOX 6	Crimping pliers, for ferrules as per DIN 46228 section 1+4, 0.25 - 6.0 mm ² , insertion from the side, trapezoidal crimp
1209091	DUSPOL EXPERT	Voltage tester, for DC and AC voltages from 12 V to 1000 V AC/1100 V DC, IP65
1212544	SF-LHEX SET	Offset screwdriver set, hex, metric, SW 1.5; 2; 2.5; 3; 4; 5; 6; 8, and 10 mm, with ball head, matt chrome-plated, 9-part, in practical holder
1212475	UNIFOX-CT 4,8	Cable binder pliers, for plastic cable binders with a width of 2.2 - 4.8 mm, for a material thickness of up to 1.6 mm

Panel Builders Tool Set – 795-6789



Panel Builders Tool Set – 795-6789



METRIC	
H	290 mm
L	520 mm
W	250 mm
	1,82 kg
	25,00 l