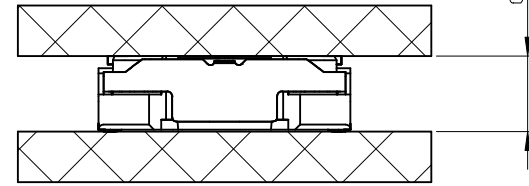
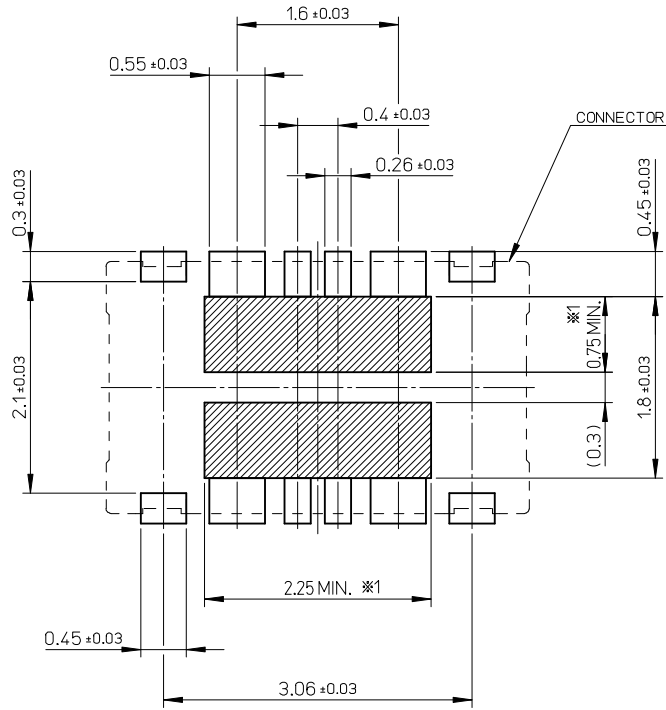


注記 NOTES

1. 使用材料 MATERIAL
 ハウジング : 液晶ポリマー (LCP) UL94V-0 (黒)
 HOUSING: LIQUID CRYSTAL POLYMER UL94V-0 (COLOR: BLACK)
 信号用ターミナル : 銅合金
 TERMINAL FOR SIGNAL CIRCUIT : COPPER ALLOY
 電源用ターミナル : 銅合金
 TERMINAL FOR POWER CIRCUIT : COPPER ALLOY
2. メッキ仕様 PLATING
 ターミナル (信号用、電源用) TERMINAL FOR SIGNAL AND POWER CIRCUIT
 金メッキ
 GOLD
 下地メッキ : ニッケルメッキ
 UNDER PLATING : NICKEL
 ※コンタクト部とテール部はニッケルメッキによって分断されている金メッキです。
 DIVIDE INTO PARTS THE GOLD PLATING OF THE CONTACT AND THE TAIL PART BY THE NICKEL PLATING.
 金具 FITTING NAIL
 金メッキ (半田付け部のみ)
 GOLD (SOLDER TAIL)
 下地メッキ : ニッケルメッキ
 UNDER PLATING : NICKEL
4. 嵌合相手 : 505006 シリーズ
 MATE WITH : 505006 SERIES.
5. テール平坦度は、0.08 以下
 TAIL COPLANARITY TO BE 0.08 MAXIMUM.
 金具の平坦度は、0.1 以下
 FITTING NAIL COPLANARITY TO BE 0.1 MAXIMUM.
6. ELV & RoHS 適合品
 ELV and RoHS COMPLIANT.

4	4	505004-0810	0	---	8
FOR POWER	FOR SIGNAL	EMBOSSED TAPE PACKAGE	量産品 MASS PRODUCTION	試作対応可 LOW VOL. TOOL	極数 CIRCUIT
使用用途	USAGE	オーダー番号 ORDER NO.	サンプル供給 SAMPLE PREPARATION		

REVISED EC NO: J2014-1398 DRWN: SGT002 CHKD: RTAKEUCHI APPR: KMORIKAWA REV	DESCRIPTION 2014/03/13 2014/03/13 2014/03/13	GENERAL TOLERANCES (UNLESS SPECIFIED)		DIMENSION STYLE MM ONLY	SCALE 20:1	DESIGN UNITS METRIC	THIRD ANGLE PROJECTION	
		10 UNDER	±0.2	DRAWN BY SGT002	DATE 2014/03/03	TITLE 0.4 BB CONN H=0.75 BATTERY REC ASSY		
		10 OVER 30 UNDER	±0.25	CHECKED BY RTAKEUCHI	DATE 2014/03/03	molex		
		30 OVER	±0.3	APPROVED BY KMORIKAWA	DATE 2014/03/05			
ANGULAR ±1 °		DRAFT WHERE APPLICABLE MUST REMAIN WITHIN DIMENSIONS		MATERIAL NO. SEE CHART		DOCUMENT NO. SD-505004-001	SHEET NO. 1 OF 2	



嵌合状態
MATED CONDITION

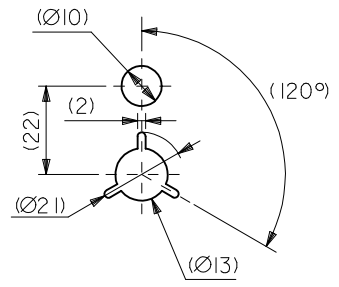
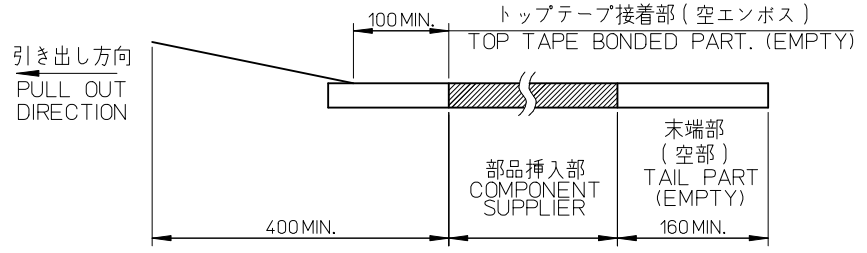
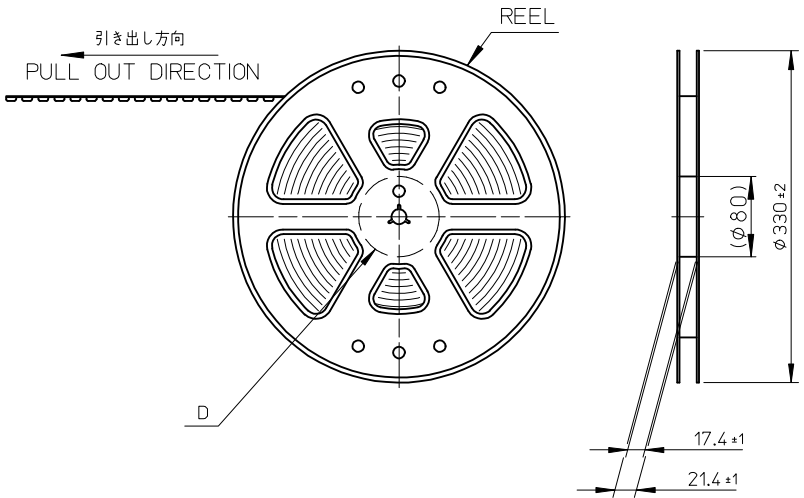
推奨基板寸法 (参考)
推奨メタルマスク厚: $t=0.1\text{mm}$ / 推奨メタルマスク開口率: 80%
RECOMMENDED P.W.BOARD PATTERN LAYOUT (REFERENCE)
RECOMMENDED THICKNESS OF METAL MASK: $t=0.1\text{mm}$
RECOMMENDED OPEN APERTURE RATIO OF METAL MASK: 80%

※1 パターン引き回し、および半田禁止エリア
(当該箇所においては、回路の配線を禁止する。また、この部分に半田は無きこととする。)
PROHIBITED AREA OF PATTERN WIRING AND SOLDER.
(FOR EACH AREA THE WIRING CAN NOT BE AVAILABLE.
AND COVERED WITH A FILM KEEP SOLDER OUT)

REVISED EC NO: J2014-1398 DRWN:SGOTO02 2014/03/13 CHKD:RTAKEUCHI 2014/03/13 APPR:KMORIKAWA 2014/03/13	GENERAL TOLERANCES (UNLESS SPECIFIED)		DIMENSION STYLE MM ONLY	SCALE 20:1	DESIGN UNITS METRIC	THIRD ANGLE PROJECTION
	10 UNDER	± 0.2	DRAWN BY SGOTO02	DATE 2014/03/03	TITLE 0.4 BB CONN H=0.75 BATTERY REC ASSY	
	10 OVER 30 UNDER	± 0.25	CHECKED BY RTAKEUCHI	DATE 2014/03/03		
	30 OVER	± 0.3	APPROVED BY KMORIKAWA	DATE 2014/03/05		
REV	DESCRIPTION	ANGULAR ± 1 ° DRAFT WHERE APPLICABLE MUST REMAIN WITHIN DIMENSIONS	MATERIAL NO. SEE SHEET1	DOCUMENT NO. SD-505004-001	SHEET NO. 2 OF 2	

注記 NOTES

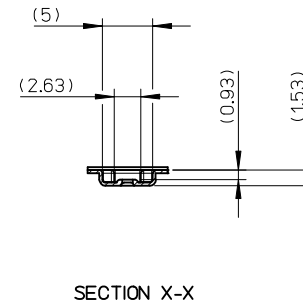
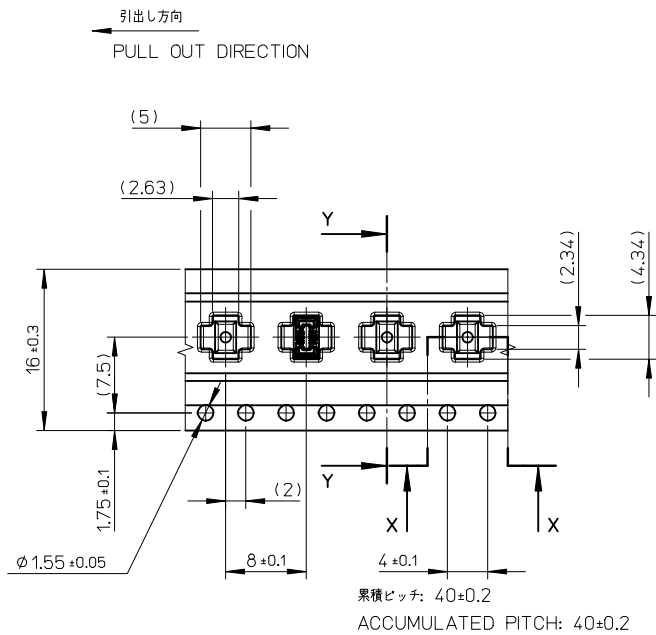
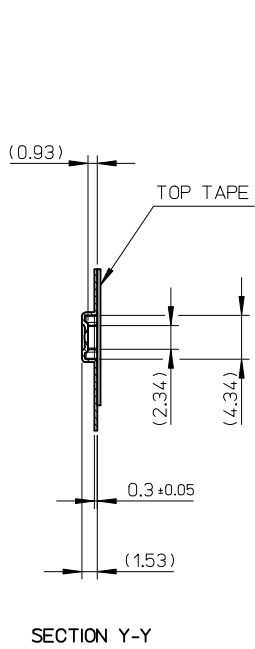
- 製品詳細寸法については製品単体図面を参照下さい。
RE DETAILED DIMENSION, SEE PRODUCT DRAWING.
- 梱包数量: 3000個/リール
NUMBER OF CONNECTORS: 3000PCS/REEL
- リードテープ長さ LEAD TAPE LENGTH



DETAIL D

- トップテープの剥離強度は、IEC60286-3に準拠する。
PEELING OFF FORCE OF THE TOP TAPE IS DEFINED BY IEC60286-3.
- 材料 MATERIAL
キャリアテープ (CARRIER TAPE) ポリスチレン (POLYSTYRENE)
トップテープ (TOP TAPE) PET, OTHER
リール (REEL) ポリスチレン (PS) <リサイクル材を含む>
POLYSTYRENE (PS) <RECYCLE MATERIAL CONTAINED>
- ELV 及び RoHS適合品
ELV AND RoHS COMPLIANT

RELEASED EC NO: J2014-1398 DRWN:SGOT002 2014/03/12 CHKD:RTAKEUCHI 2014/03/13 APPR:KMORIKAWA 2014/03/13	GENERAL TOLERANCES (UNLESS SPECIFIED)		DIMENSION STYLE MM ONLY		SCALE ---	DESIGN UNITS METRIC	THIRD ANGLE PROJECTION	
	10 UNDER	± 0.2	DRAWN BY SGOT002	DATE 2014/03/12	TITLE 0.4 BB CONN H=0.75 BATTERY REC ASSY EMBSTP PKG			
	10 OVER 30 UNDER	± 0.25	CHECKED BY RTAKEUCHI	DATE 2014/03/13				
	30 OVER	± 0.3	APPROVED BY KMORIKAWA	DATE 2014/03/13				
	ANGULAR	± 1	MATERIAL NO. SEE SHEET 2		DOCUMENT NO. SD-505004-002	SHEET NO. 1 OF 2		
DRAFT WHERE APPLICABLE MUST REMAIN WITHIN DIMENSIONS		SIZE A3	THIS DRAWING CONTAINS INFORMATION THAT IS PROPRIETARY TO MOLEX INCORPORATED AND SHOULD NOT BE USED WITHOUT WRITTEN PERMISSION					



505004-0810	0	---	8
EMBOSSSED TAPE PACKAGE	量産品 MASS PRODUCTION	試作対応可 LOW VOL. TOOL	極数 CIRCUIT
オーダー番号 ORDER NO.	サンプル供給 SAMPLE PREPARATION		
MODEL No.	505004-***10		

RELEASED EC NO: J2014-1398 DRWN:SGOTO02 2014/03/12 CHKD:RTAKEUCHI 2014/03/13 APPR:KMORIKAWA 2014/03/13	GENERAL TOLERANCES (UNLESS SPECIFIED)		DIMENSION STYLE MM ONLY		SCALE 2:1	DESIGN UNITS METRIC	THIRD ANGLE PROJECTION	
	10 UNDER	±0.2	DRAWN BY SGOTO02	DATE 2014/03/12	TITLE 0.4 BB CONN H=0.75 BATTERY REC ASSY EMBSTP PKG			
	10 OVER 30 UNDER	±0.25	CHECKED BY RTAKEUCHI	DATE 2014/03/13				
	30 OVER	±0.3	APPROVED BY KMORIKAWA	DATE 2014/03/13	molex DOCUMENT NO. SD-505004-002 SHEET NO. 2 OF 2			
ANGULAR ±1°		MATERIAL NO.						
DRAFT WHERE APPLICABLE MUST REMAIN WITHIN DIMENSIONS		SEE CHART		THIS DRAWING CONTAINS INFORMATION THAT IS PROPRIETARY TO MOLEX INCORPORATED AND SHOULD NOT BE USED WITHOUT WRITTEN PERMISSION				