

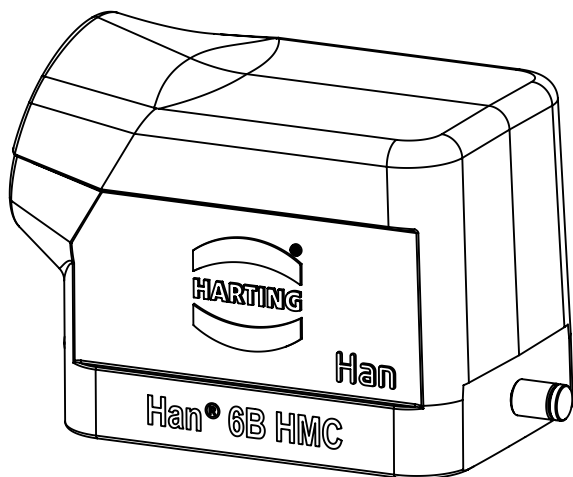
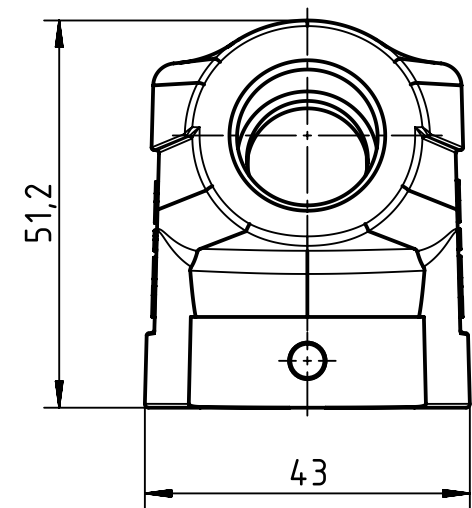
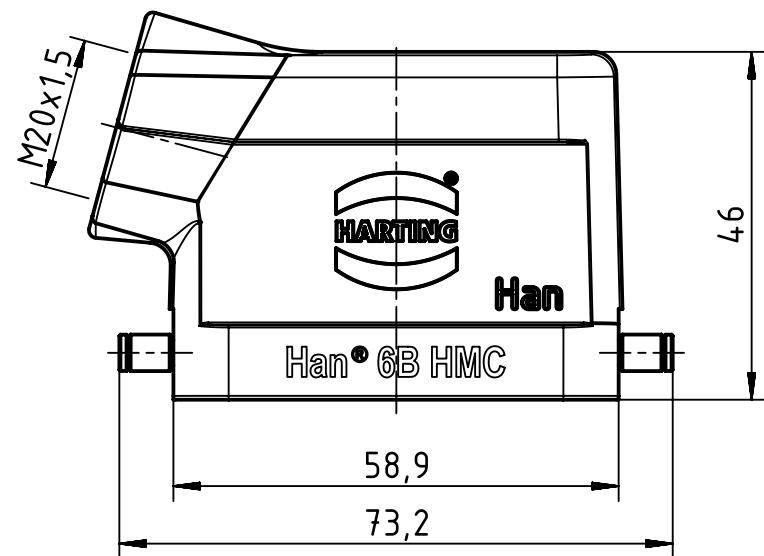
1 2 3 4 5 6

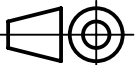

A

B

C

D



 All Dimensions in mm Original Size DIN A4	Scale 1:1		Free size tol.		Ref.		
	 All rights reserved Department EL PD - DE		Created by RULLKOETTER	Inspected by SUNDERMEIER	Standardisation RUETERA	Date 2017-01-24	State Final Release
HARTING Electric GmbH & Co. KG D-32339 Espelkamp			Title Han 6B-HMC-gs-R-M20			Doc-Key / ECM-Nr. 100705710/UGD/007/A 500000113955	
			Type TB	Number 19 30 206 1540		Rev. A	Page 1/1