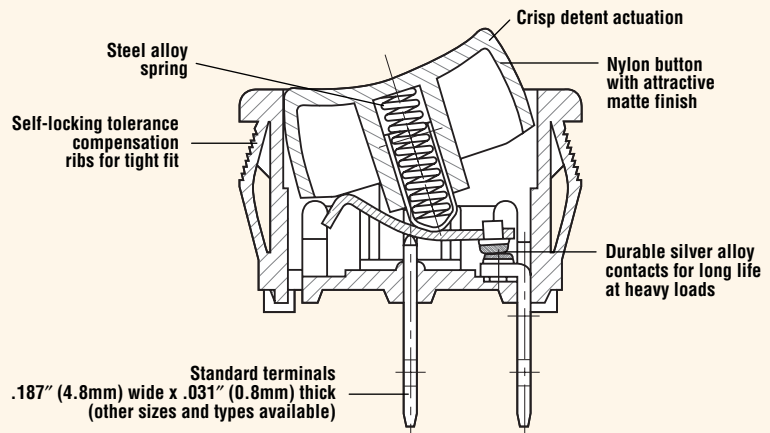


## MINIATURE ROCKER SWITCH

# SR Series

### Features

- 10 or 20 amp switching in a miniature package
- Single-throw and double-throw options
- Choice of actuator and housing color
- Variety of terminals available
- Industry-standard mounting dimensions
- Mechanical life: min. 100,000 operations



### Electrical Ratings

Switch Series	EN61058 Rating	UL1054 Rating	Electrical Life at Rated Load	
			According to VDE (Min. Operations)	According to UL (Min. Operations)
SR	10(4)A, 250V~, $\mu$ T85	10A, 125VAC; 6A, 250VAC	10,000	6,000

### Specifications

#### Electrical

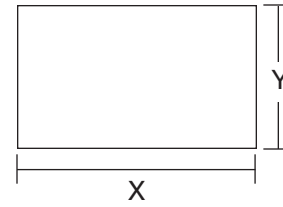
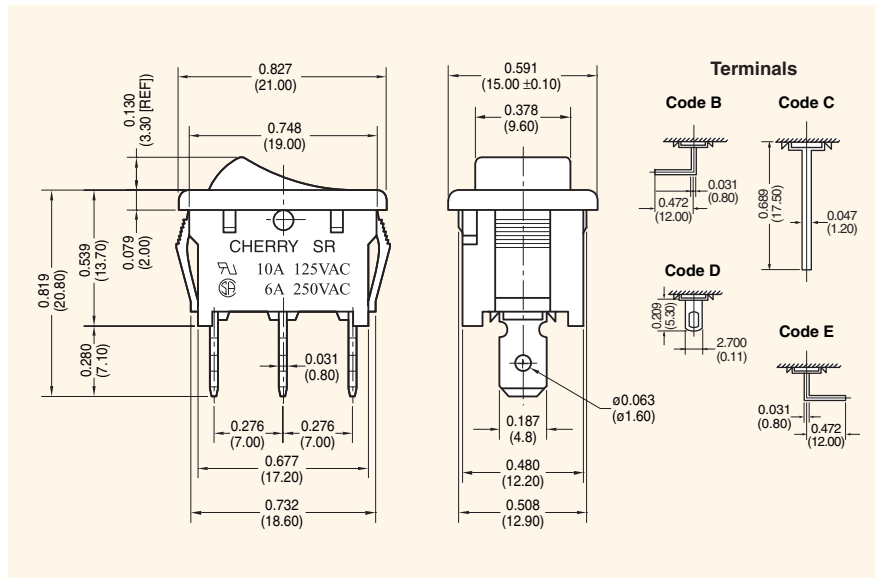
Dielectric Strength:	1000VAC for 1 minute
Insulation Resistance:	$10^9$ ohms min at 500VDC
Initial Contact Resistance:	0.020 ohms max
Temperature Range:	-20°C to +65°C

#### Materials

Actuator:	Nylon 66 94V-2
Case:	Nylon 66 94V-2
Spring:	Steel Wire
Contacts:	Silver or Copper Alloy
Movable Arm:	Silver-Plated Copper Alloy
Terminals:	Tin-Plated Copper Alloy



### Dimensions inches (mm)



Z = Panel Thickness

### Recommended Panel Cut-Out Dimensions

inches (mm)

Dim. Z	Dim. X	Dim. Y
0.030 to 0.049 (0.75 to 1.25)	0.752 (19.10)	0.508 (12.90)
0.049 to 0.079 (1.25 to 2.00)	0.760 (19.30)	0.508 (12.90)
0.079 to 0.118 (2.00 to 3.00)	0.775 (19.76)	0.508 (12.90)

### Examples of Common Part Numbers and Descriptions inches (mm)

Part Number	Circuitry	Switch Function	Terminal Type	Actuator/ Housing Color	Legend Marking
SRB22A2FBBNN		On - Off	0.187 (4.8) Quick-Connect	Black/Black	
SRB22A2BBBNN		On - Off	0.187 (4.8) Quick-Connect	Black/Black	
SRB22A2DBBNN		On - Off	0.187 (4.8) Quick-Connect	Black/Black	
SRB23A2BBBNN		On - On	0.187 (4.8) Quick-Connect	Black/Black	
SRB24A2HBBNN		On - Off - On	0.187 (4.8) Quick-Connect	Black/Black	

Boot #0015-0644

### Ordering Information

<b>SR</b> Series	<b>B</b> Code 2 Circuitry Single-Pole	<b>2</b> Code 2 Switch Function On - Off	<b>4</b> Code 3 Switch Function On - On	<b>4</b> Code 4 Switch Function On - Off - On	<b>5</b> Code 5 Switch Function (On) - Off	<b>A</b> Code 2 Actuator Type Curve	<b>2</b> Code B Actuator Marking Blank	<b>C</b> Code C Actuator Marking O II	<b>D</b> Code D Actuator Marking OFF ON	<b>E</b> Code E Actuator Marking O I	<b>F</b> Code F Actuator Marking O -	<b>G</b> Code G Actuator Marking ·	<b>H</b> Code H Actuator Marking I O II	<b>H</b> Code B Housing Color Black	<b>B</b> Code W Housing Color White	<b>C</b> Code Y Housing Color Grey	<b>C</b> Code C Housing Color Brown	<b>B</b> Code N Lighted Non-Lighted	<b>N</b> Code N Splashproof No Rocker Boot	<b>S</b> Code S Splashproof Waterproof Boot	<b>N</b> Code N Lighted Non-Lighted
---------------------	---	--	---	---	--	---	--	---	---	--	--	--	---	---	---	--	---	---	--	---	---

Code	Contact Rating
B	10A, 125VAC 6A, 250VAC (UL, CSA) 10(4)A, 250V~, μT85 (VDE)
J	20A, 125VAC (UL, cUL)

Code	Terminal Type inches (mm)
A	0.187 (4.8) QC
B	PC Thru-Hole Left Angle
C	PC Thru-Hole Straight
E	PC Thru-Hole Right Angle
P	0.346 x 0.189 (8.79 x 4.80) Solder Tag