



ENGLISH

## Datasheet

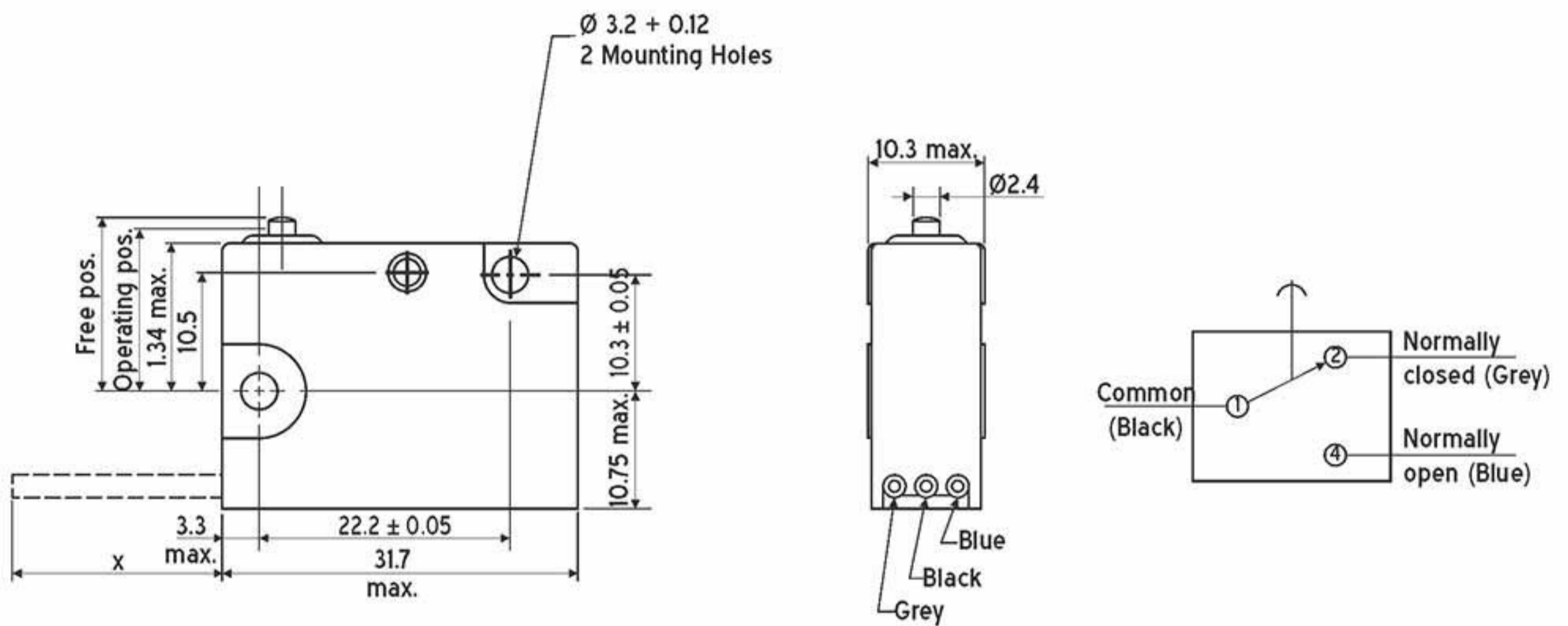
### RS PRO SP-CO Long Roller Lever Microswitch

Stock No: 797-2558



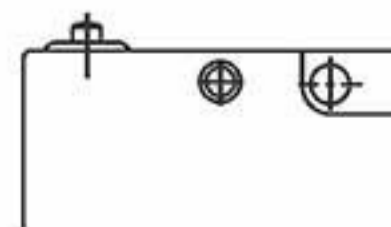
- Characteristics
- Single pole changeover
  - Fine silver contacts
  - Snap action mechanism
  - Glass fibre reinforced nylon enclosure, duly sealed, conforming to IP67 protection
  - Option for Side or Panel Mounting
    - Side Mounting Switches are available with actuators Plain or Lever or Roller Lever
    - Panel Mounting Switches are available with the frame fitted with threaded plunger Plain or Roller Type.
  - Provided with silicon rubber cowl.
  - Frame and plunger are of zinc plated steel.
  - Prewired with 3 Nos. PVC wires of length 0.50 meter each.
  - Conform to IEC 1058-1 standard

CE



### Basic switch (pin plunger)

Ordering code	MV27
Actuating force	390 gms. (max.)
Release force	110 gms. (min.)
Movement differential	0.4 mm. (max.)
Overtravel	Depress to case
Free position (FP)	15.90 mm. (max.)
Operating position (OP)	14.5 ± 0.5 mm. (max.)
Dimension details	31.7 x 24.2 x 10.5 mm.
Mounting	Side
Wire's length	0.5 meter

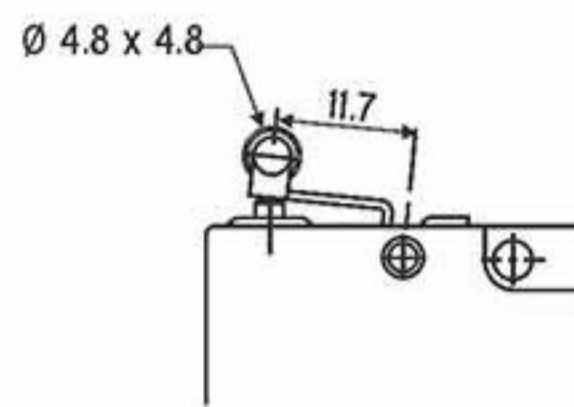


# SEALED MINIATURE MICROSWITCHES

## MV27 - SERIES

### with short roller Lever

Ordering code	<b>7972549</b>
Actuating force	390 gms. (max.)
Release force	110 gms. (min.)
Movement differential	0.4 mm. (max.)
Overtravel	Depress to case
Free position (FP)	22.1 mm. (max.)
Operating position (OP)	20.4 ± 1.0 mm.
Dimension details	31.7 x 24.2 x 10.5 mm.
Mounting	Side
Wire's length	0.5 meter



### with long roller Lever

Ordering code	<b>7972558</b>
Actuating force	200 gms. (max.)
Release force	40 gms. (min.)
Movement differential	1.0 mm. (max.)
Overtravel	Depress to case
Free position (FP)	24.8 mm. (max.)
Operating position (OP)	22 ± 1.2 mm.
Dimension details	31.7 x 24.2 x 10.5 mm.
Mounting	Side
Wire's length	0.5 meter

