

Mod. G7522 - Fittings Series 7000 - Automation

Product code: G7522 12-1/4

Datasheet creation date: 12/12/2025 08:32

Check the most updated document online [click here](#)

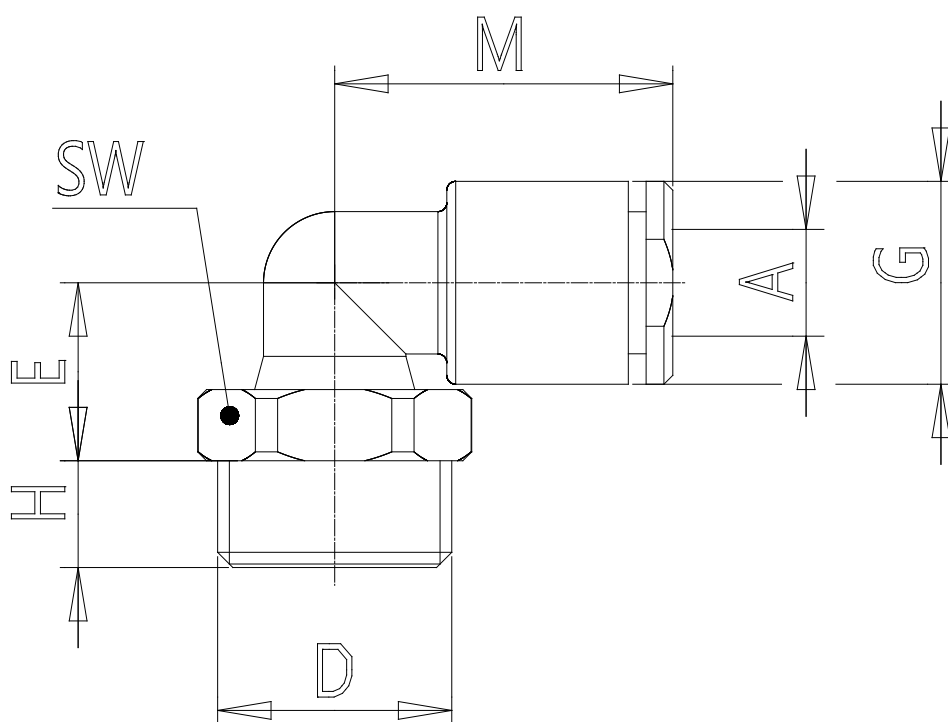


■ TECHNICAL DATA

Mod.	G7522 12-1/4
------	--------------

Mod. G7522 - Fittings Series 7000 - Automation

Product code: G7522 12-1/4



DIMENSIONS

A (mm)	12
D	G1/4
E (mm)	16.0
G (mm)	20.0
H (mm)	6.0
M (mm)	31.0
SW (mm)	16
Weight (g)	20