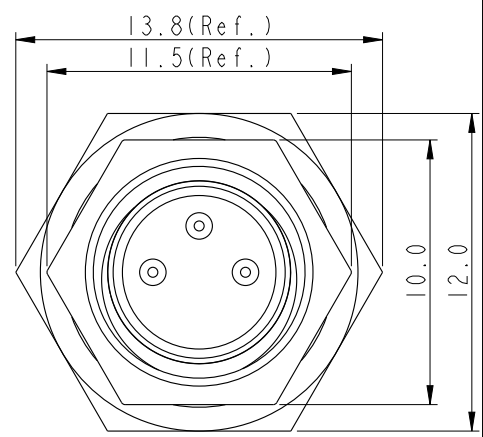
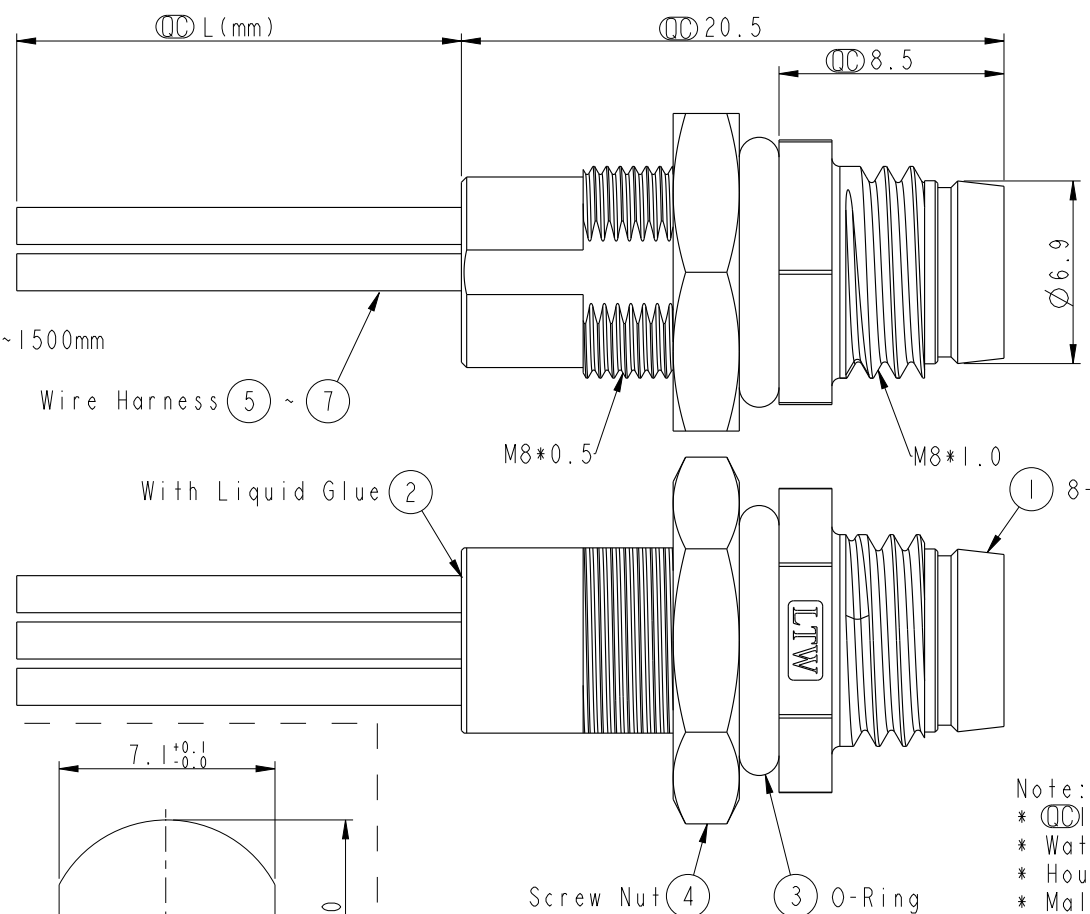


REV.	ECN NO.	DATE	SIGN	DESCRIPTION
B	LE31410394~96	2014-01-09	Tony_leng	Change Ball No. & Wire Length

THIS DOCUMENT IS SUBJECT TO CHANGE WITHOUT NOTICE. IT IS CONFIDENTIAL AND A PROPERTY OF AMPHENOL LTW. DISCLOSURE TO THIRD PARTY HAS TO BE AUTHORIZED BY AMPHENOL LTW.

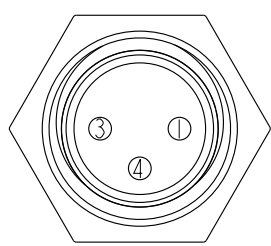
8-03PMMS-SH7AXX  $\triangle B$

XX: 150~1500mm  
 15: 150mm  
 30: 300mm  
 50: 500mm  
 A0: 1000mm  
 A5: 1500mm  
 Wire Length(L): 150~1500mm

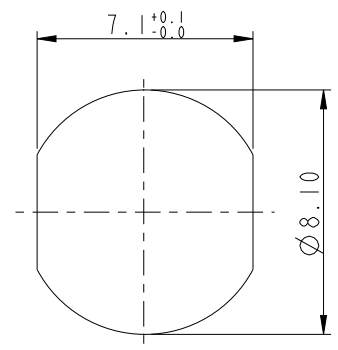


**ALTW**  
**CONFIDENTIAL**  
 2014-01-09  
**R&D DEPT.**

**ALTW**  
 DCC. DEPT.  
 CONFIDENTIAL  
 2014.01.23  
**ISSUED**



Pin Assignment  
Front View



Recommended  
Panel Cut-Out

4	Black	黑
3	Blue	藍
1	Brown	棕
Conn.	Wire Color	Pin Out

- Note:
- \*  $\varnothing$  Important Dimension.
  - \* Waterproof Rate: IP67
  - \* Housing: Nylon+GF, Black
  - \* Male Pin: Copper Alloy, Gold Plated
  - \* Shield: Zinc Alloy, Nickel Plated
  - \* Nut: Copper Alloy, Nickel Plated
  - \* O-Ring: EPDM, Black
  - \* Wire Harness: UL1007, 24AWG
  - \* For Panel Thickness Max 3.5mm
  - \* Nut Torque: 4-6 kgf.cm
  - \* Wire harness Tolerance: 150~300±15mm  
301~1000±20mm  
Over1000 ±40mm

UNIT:mm		TITLE M12 Panel with wire harness	<b>Amphenol LTW</b> 安費諾亮泰企業股份有限公司		ITEM NO 8-03PMMS-SH7AXX	DRAWN BY Tony_leng	DATE 2014-01-09
TOLERANCE .X ±0.25 .XX ±0.1 .XXX ±0.05 ANGLES ±1°	SCALE 1:1	SIZE A4	SHEET 1 OF 1	WC-REV. B.2	CHECKED BY Jimmy	DATE 2014-01-09	APPROVED BY Jerry
REV. B	WC-REV. B.2	$\varnothing$ : Inspection item	CUSTOMER ALTW		DATE 2014-01-09	DATE 2014-01-09	