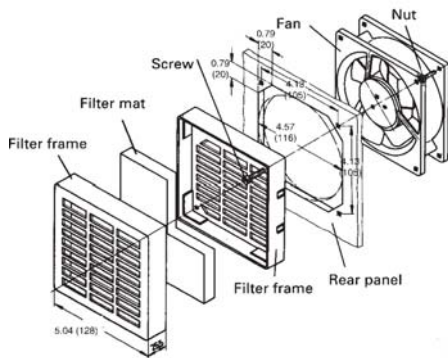


| Part Number | Series |
|-------------|----------|
| LZ212 | 8300 |
| LZ260 | 8300 |
| LZ261 | 8400 |
| LZ212 | 3300 |
| LZ260 | 3300 |
| LZ210 | 9000 |
| LZ40N | 9000 |
| LZ40-1 | 9000 |
| LZ60 | 9000 |
| LZ210 | 4000 |
| LZ40N | 4000 |
| LZ40-1 | 4000 |
| LZ60 | 4000 |
| LZ212 | 4300 |
| LZ260 | 4300 |
| LZ210 | 5100 |
| LZ210 | 5600 |
| LZ210 | 5200 |
| LZ210 | 5900 |
| LZ210 | 7000 |
| LZ370 | VARIOFAN |

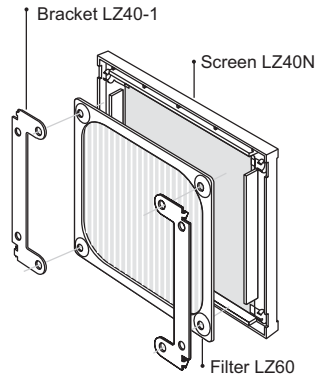
Filter Kit for 119mm fans

| | |
|--------------|-----------------------------|
| 10016-1-5170 | Grill Guard |
| 10017-1-5170 | Grill Guard and Filter |
| 10018-1-5170 | Grill Guard, Filter, Spacer |



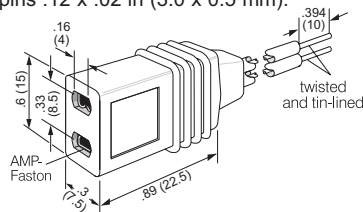
LZ 40N / LZ 40-1 / LZ 60

LZ40N of black, fiberglass reinforced plastic with inserted aluminium wire mess LZ60. Mounting with brackets LZ40-1.



LZ 120

Connecting cable with molded plug. (PVC, black). Stranded wires with multi-core cable ends. For all types of fans with flat pins .12 x .02 in (3.0 x 0.5 mm).



| Type | Cable Length in. (mm) | Pins |
|-------|-----------------------|----------|
| LZ120 | 24 (610) | .02 (.5) |
| LZ126 | 39.4 (1000) | .02 (.5) |

Additional versions are available on special order

ebm Plug and Cord Sets

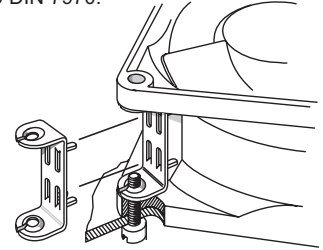
.110 x .02 inch (2.8 x .5 mm)

RIGHT ANGLE CONNECTION

| | |
|------------------|----------------|
| 24 inch (610mm) | 1434-4-6711-1 |
| 36 inch (914mm) | 1434-4-6711-3 |
| 80 inch (2032mm) | 1434-4-6711-80 |

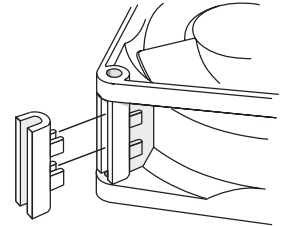
LZ 212

Screw clip of rust-resistant spring steel. For mounting fans with threaded pin 3.5 DIN 7970.



LZ 260 / LZ 261

Spacer of fiberglass reinforced plastic. For screw mounting over both fan and mounting flanges.



LZ 370

Temperature sensor for speed-controlled fan operation. Temperature range 30...50 C.



Required performance date:

| | |
|------------------|--------------|
| R ₂₅ | = 100 KΩ ±5% |
| B-value | = 4190 ± 2% |
| P _{max} | = 0,25 W |

LZ 210

Screw clip of hardened steel. For mounting fans with threaded pin 6-32 UNC and/or 3.5 DIN 7970.



2678-2-2945

Plastic shock and vibration mount for 119/120 mm fans.

