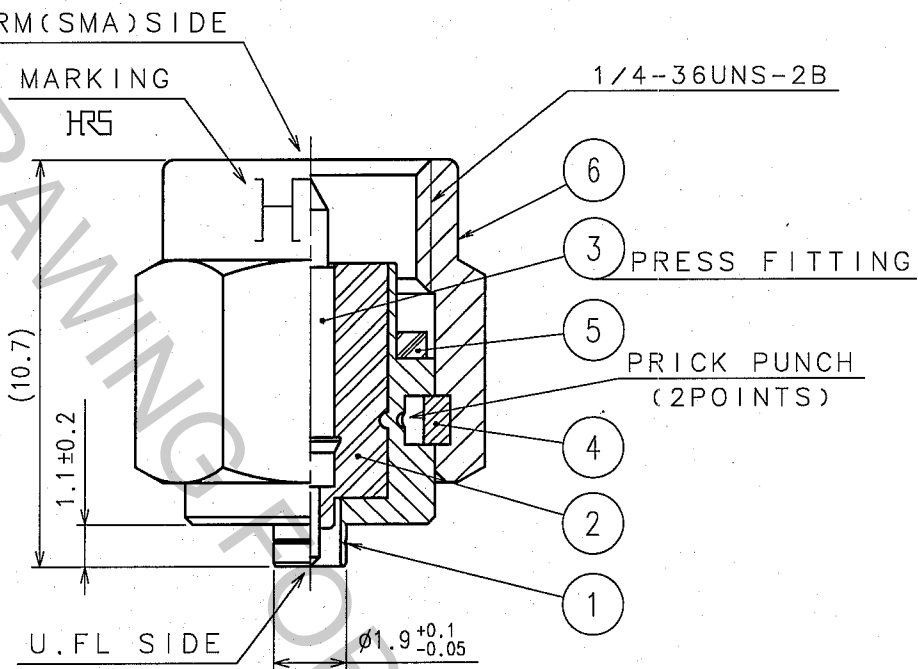
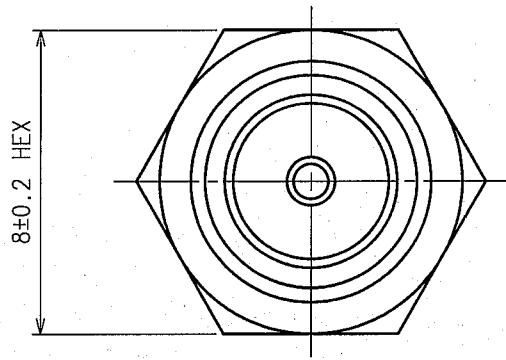


Jun.1.2018 Copyright 2018 HIROSE ELECTRIC CO., LTD. All Rights Reserved.
 In case of consideration for using Automotive equipment/
 device which demand high reliability, kindly contact our sales window correspondents.

1			2			3			4					
COUNT	DESCRIPTION OF REVISIONS	BY	CHKD	DATE	COUNT	DESCRIPTION OF REVISIONS	BY	CHKD	DATE	COUNT	DESCRIPTION OF REVISIONS	BY	CHKD	DATE
△					△					△				
△					△					△				
△					△					△				



NOTE. USE ONLY FOR ELECTRICAL MEASUREMENT
 BECAUSE OF NO LOCKING DEVICE IN MATING
 PORTION ON U.FL SIDE.

3	BRASS	GOLD PLATED	6	STAINLESS STEEL	PASSIVATE
2	PTFE		5	SILICONE RUBBER	(RED)
1	STAINLESS STEEL	NICKEL PLATED	4	BERYLLIUM COPPER	NICKEL PLATED
NO.	MATERIAL	FINISH, REMARKS	NO.	MATERIAL	FINISH, REMARKS

CODE NO. (OLD)	DRAWN	DESIGNED	CHECKED	APPROVED	RELEASED
CL	Y. Sugiyama	T. Katayama	H. Shinizu	I. Mitani	
	05.11.22	05.11.22	05.11.24	05.11.24	

	DRAWING NO.	PART NO.
SCALE	EDC4-131959-40	HRMP-U.FLJ(40)
5 : 1		
UNITS	HIROSE ELECTRIC CO., LTD.	CODE NO.
mm		CL311-0300-2-40
		1/1

TO
RF

