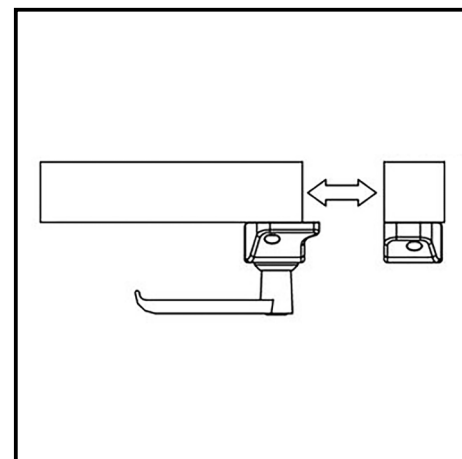
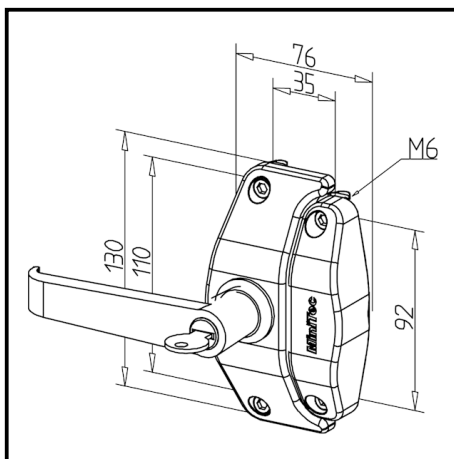


SLIDING DOOR LOCK 30

Article Nr. 21.0959/0

See the product on the website →

Download CAD Files →



TECHN. DATA / ITEMS SUPPLIED

- With fastening material steel, zinc plated
- Mounted handle: see **part no.** [21.2305/0](#)
- Fmax. 1000 N
- Weight = 0.441 kg/piece

APPLICATIONS

- For profiles series 30
- Locking of doors and panels
- No profile finishing required
- Position moveable

ASSEMBLY

- Fasten to profile groove with supplied hardware
- Fastening on profile groove - without processing/boring of profiles