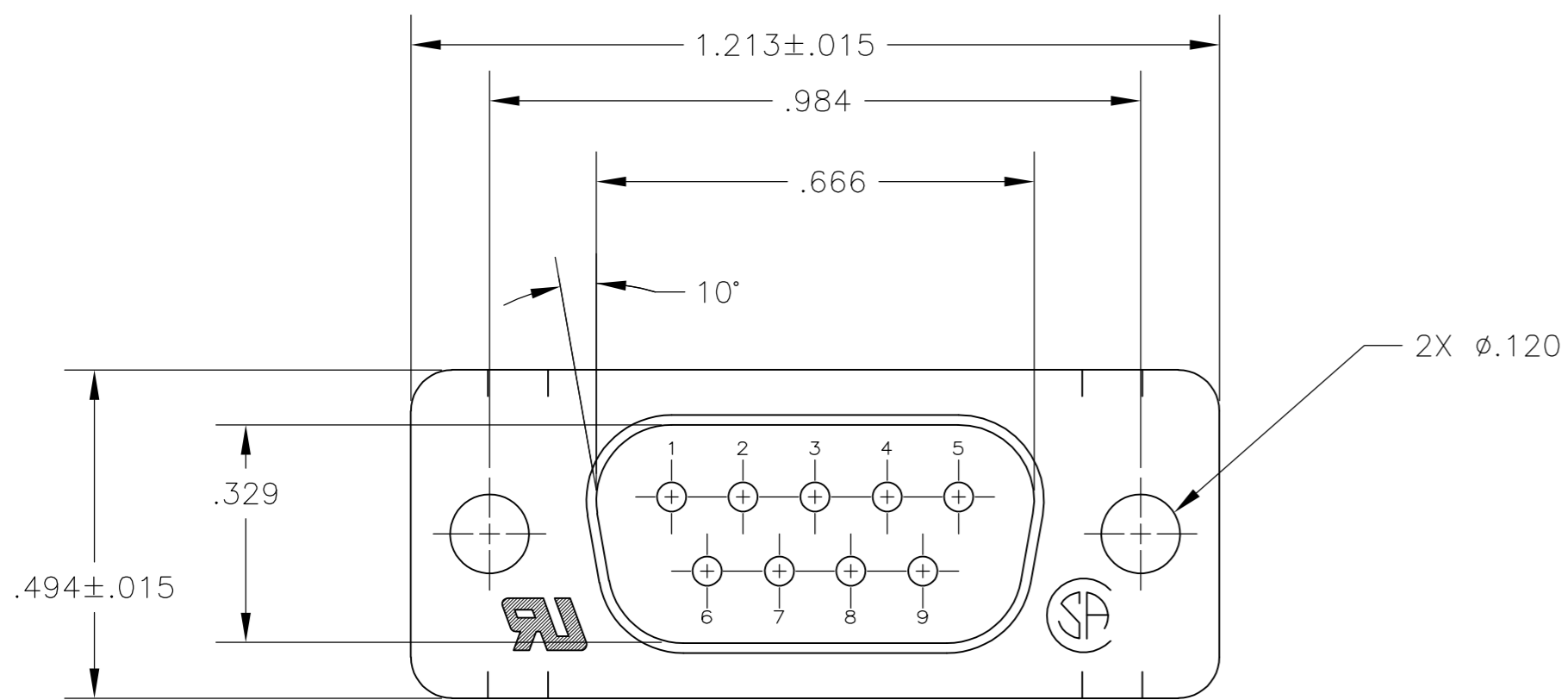
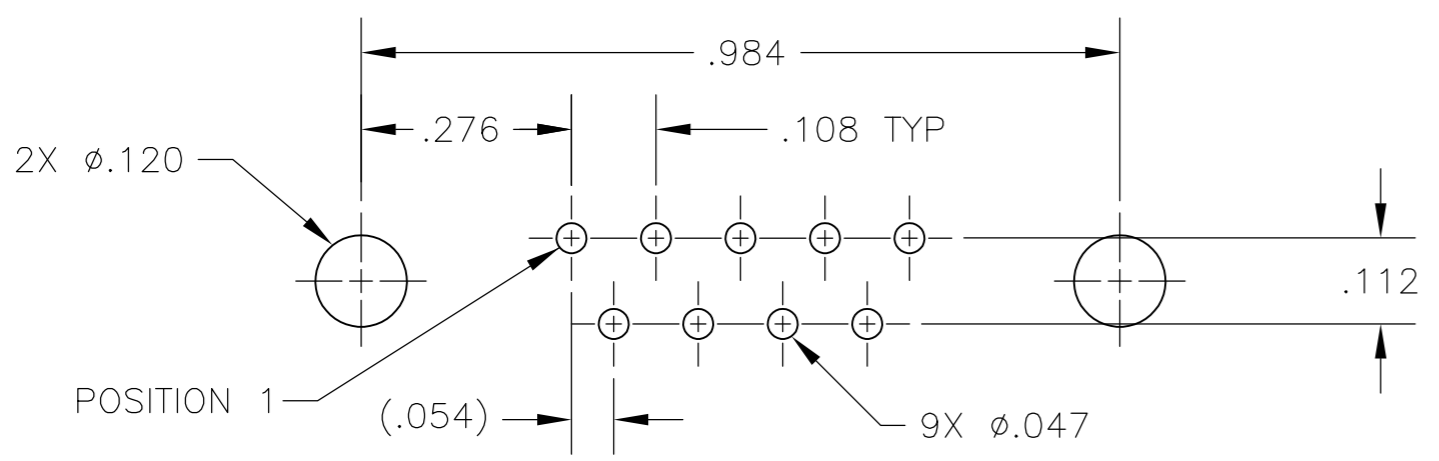
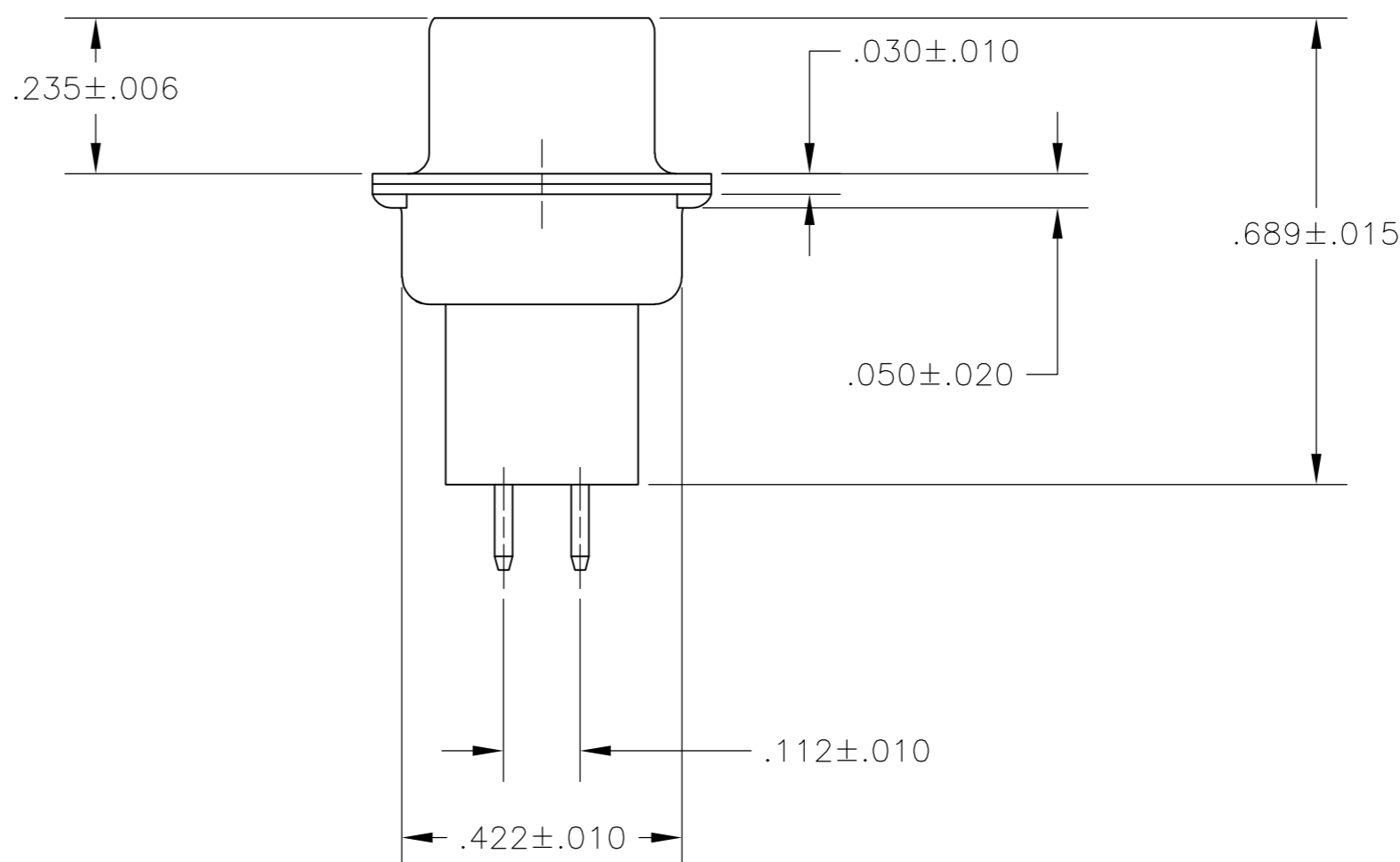
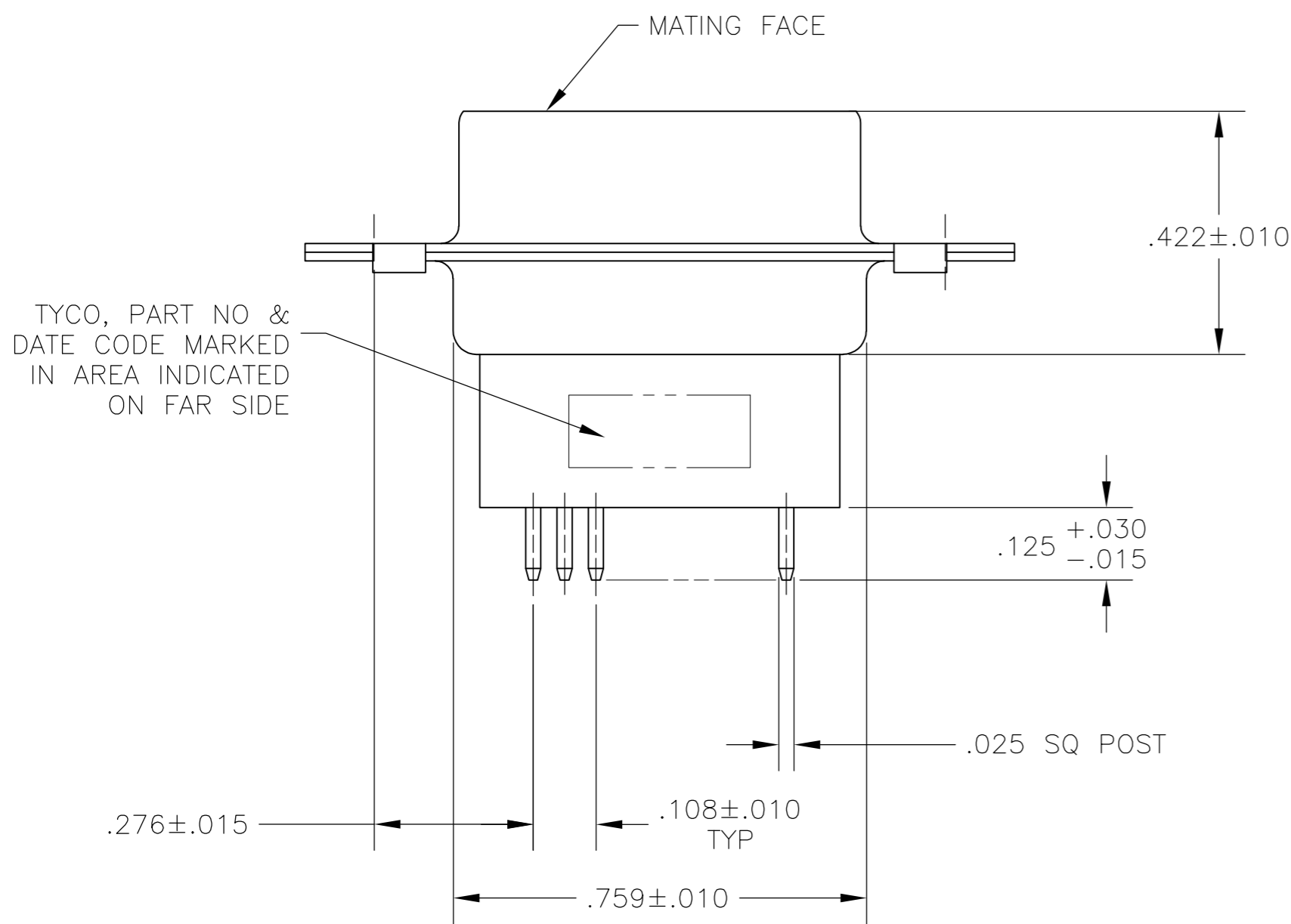


THIS DRAWING IS UNPUBLISHED. RELEASED FOR PUBLICATION
 © COPYRIGHT 2005 BY TYCO ELECTRONICS CORPORATION. ALL RIGHTS RESERVED.

LOC	DIST	REVISIONS			
P	LTR	DESCRIPTION	DATE	DWN	APVD
GP	00	B	REVISED PER ECO-10-000073	1FEB2010	CJV SB



- 1 MOLDED PARTS: GLASS-FILLED NYLON, UL 94V-0 RATED, COLOR BLACK.
SHELLS: CARBON STEEL.
CONTACTS: BRASS.
- 2 SHELLS: .000200 MIN TIN OVER .000100 MIN COPPER.
CONTACTS: GOLD PLATED FOR LENGTH OF .150 MIN FROM MATING END,
GOLD FLASH IN MATED AREA, .000100 MIN TIN ON OPPOSITE END, BOTH
OVER .000050 MIN NICKEL.



P.C. BOARD MOUNTING DIMENSIONS

5745182-2
PART NO

THIS DRAWING IS A CONTROLLED DOCUMENT.		DWN B. LATTUCA 07SEPT05	Tyco Electronics Corporation Harrisburg, PA 17105-3608	
DIMENSIONS: INCHES		CHK S. BOLASH 07SEPT05	NAME M. WALMSLEY	
TOLERANCES UNLESS OTHERWISE SPECIFIED:		APVD M. WALMSLEY 07SEPT05	PRODUCT SPEC 108-40025	
0 PLC ± -		APPLICATION SPEC 114-40013		
1 PLC ± -		SIZE A2		
2 PLC ± -		CAGE CODE 00779		
3 PLC ± .005		DRAWING NO 5745182		
4 PLC ± -		RESTRICTED TO -		
ANGLES ± -		SCALE NTS		
FINISH		SHEET 1 of 1		
1		REV B		
2		CUSTOMER DRAWING		