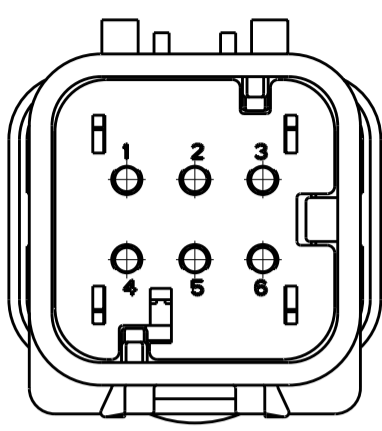
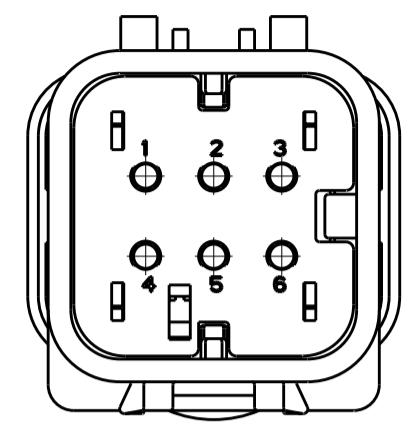


THIS DRAWING IS UNPUBLISHED. RELEASED FOR PUBLICATION
 © COPYRIGHT 20 BY - ALL RIGHTS RESERVED.

LOC	DIST	REVISIONS			
P	LTR	DESCRIPTION	DATE	DWN	APVD
GE	00	C2	REVISED PER ECO-11-005030	12MAR2011	RK HMR

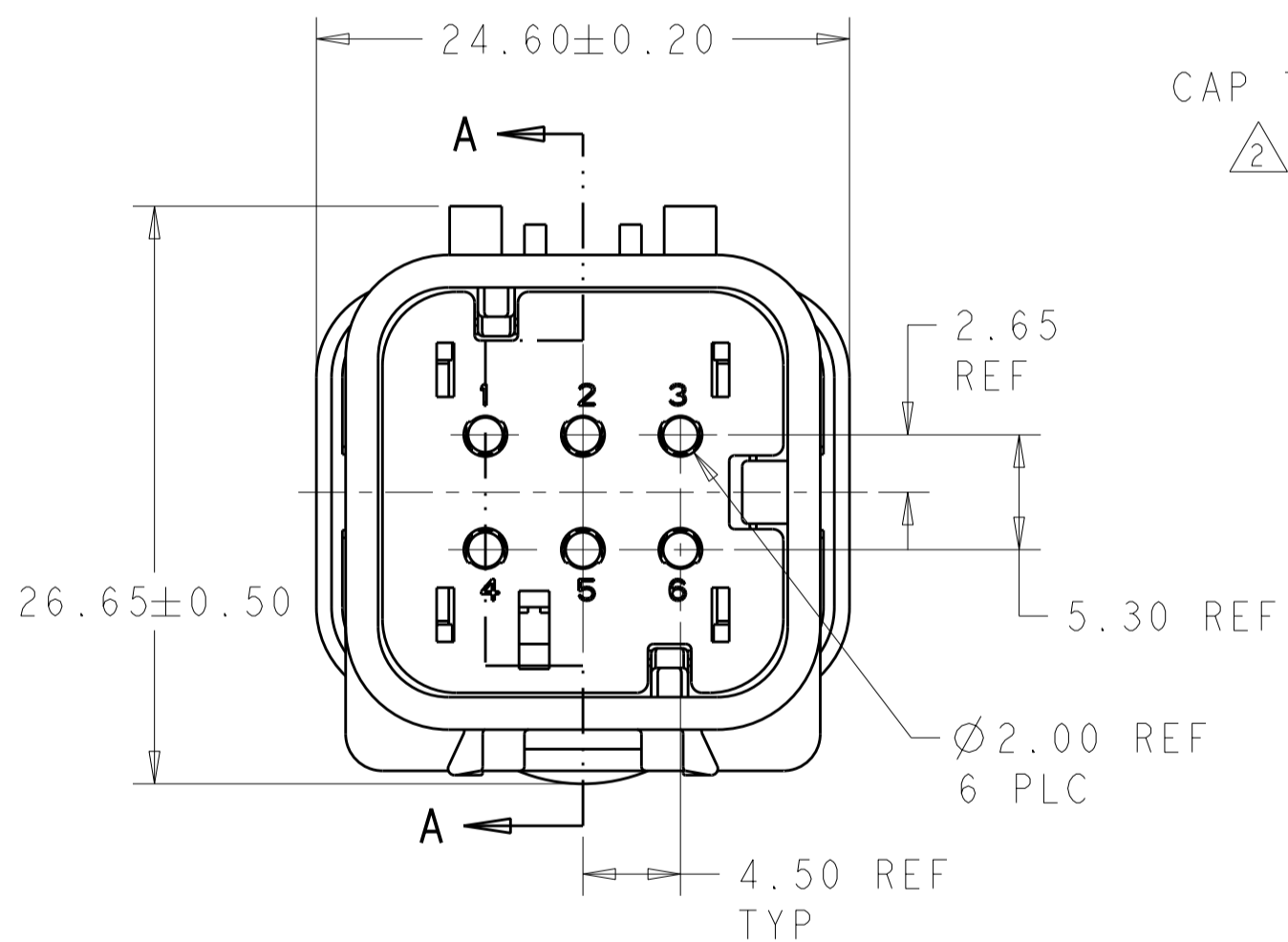


776434-2
SCALE 2:1

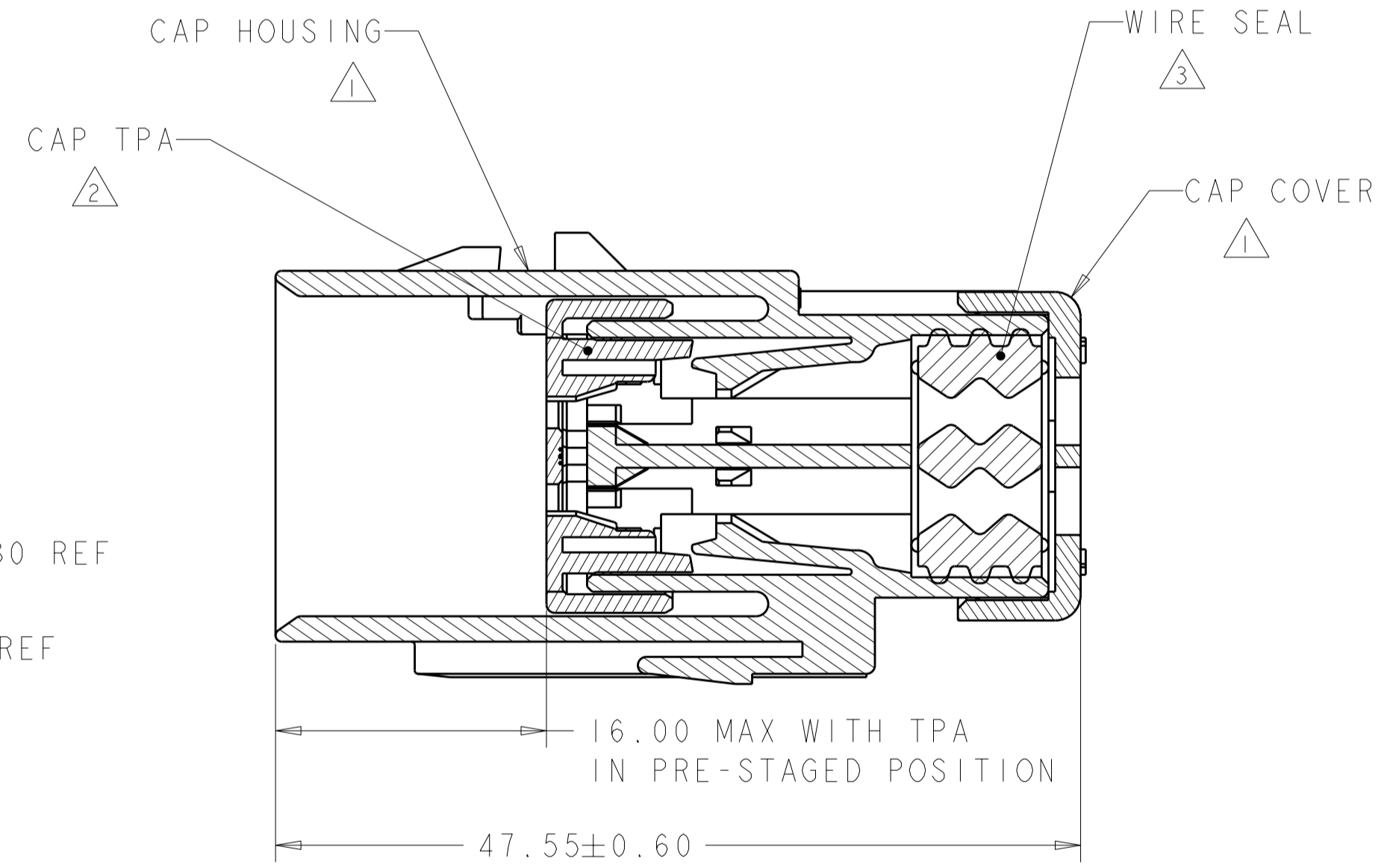


776434-3
SCALE 2:1

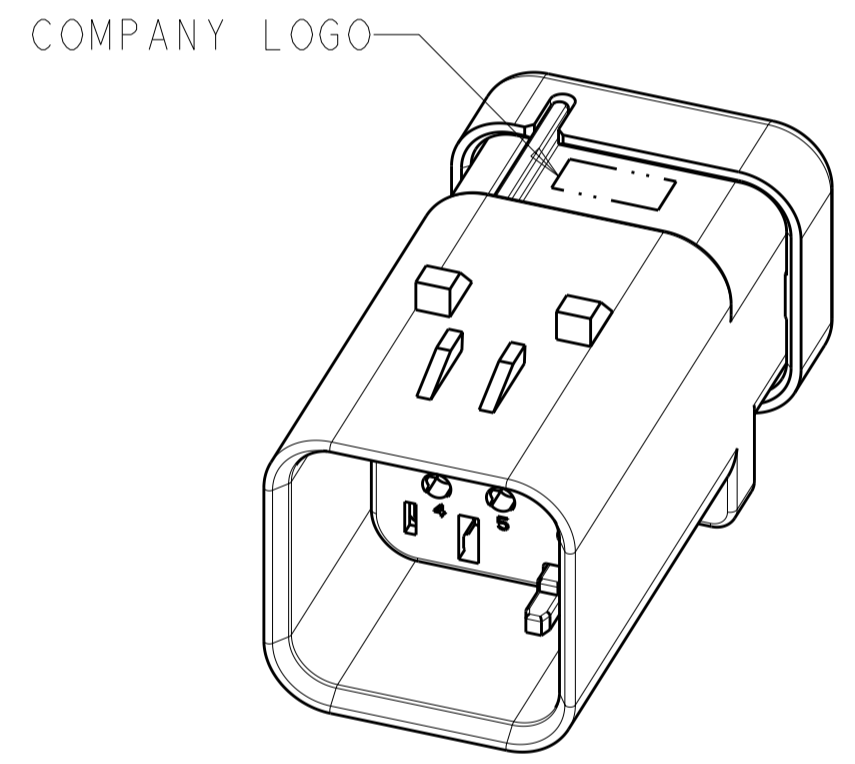
- ① MATERIAL: 15% GLASS FILLED THERMOPLASTIC
COLOR: BLACK
- ② MATERIAL: 15% GLASS FILLED THERMOPLASTIC
COLOR: (SEE TABLE)
- ③ MATERIAL: SILICONE
COLOR: RED



776434-1 SHOWN



SECTION A-A



SCALE 2:1

YELLOW	776434-3
GRAY	776434-2
RED	776434-1
TPA COLOR	PART NUMBER

THIS DRAWING IS A CONTROLLED DOCUMENT.		DWN AJ GRAFF 13JUN00	STE TE Connectivity		
DIMENSIONS: mm		CHK R. GREINER 03JAN02			
TOLERANCES UNLESS OTHERWISE SPECIFIED:		APVD M. TRULLI 03JAN02	NAME CAP ASSEMBLY, 6 POSITION, DUAL ROW, AMPSEAL 16		
0 PLC ± 1 PLC ± 2 PLC ± 3 PLC ± 4 PLC ± ANGLES ± FINISH		PRODUCT SPEC - APPLICATION SPEC 114-13065 WEIGHT -	SIZE A200779	DRAWING NO C-776434	RESTRICTED TO -
MATERIAL -		CUSTOMER DRAWING	SCALE 2:1	SHEET 1 OF 1	REV C2