

BRASS Y STRAINER



ISO 9001 : 2015



Size : DN 3/8" to 2"1/2
Ends : Threaded female BSP
Min Temperature : - 10°C
Max Temperature : + 120°C
Max Pressure : 16 Bars
Specifications : Removable stainless steel filter
Female / Female

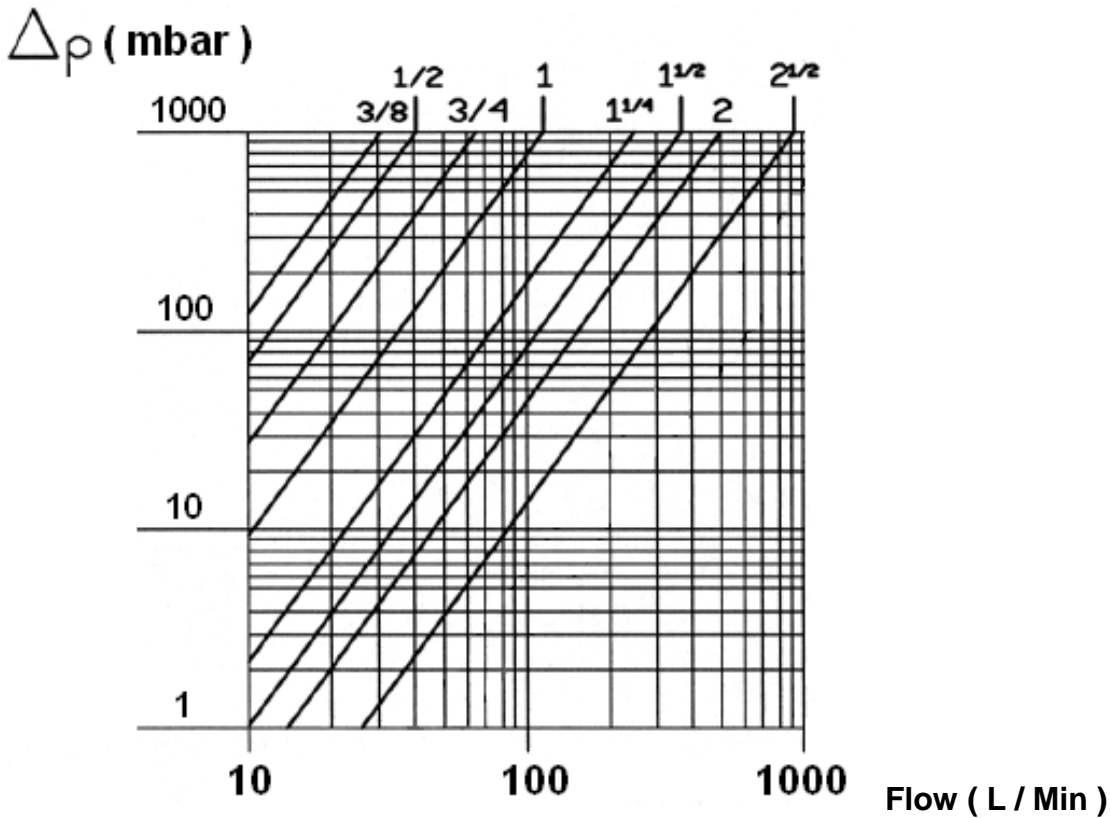
Materials : Brass body CW617N

BRASS Y STRAINER
SPECIFICATIONS :

- Removable stainless steel filter
- Female / female type
- Horizontal or vertical position (respect the flow direction indicated by the arrow)
- Mesh 8.5/10° mm (850 μ)

USE :

- Water distribution and watering
- Min Temperature Ts : - 10°C
- Max Temperature Ts :+ 120°C
- Max Pressure Ps : 16 bars up to DN 2" , 10 bars over

HEAD LOSS :

FLOW COEFFICIENT Kvs (M3 / h) :

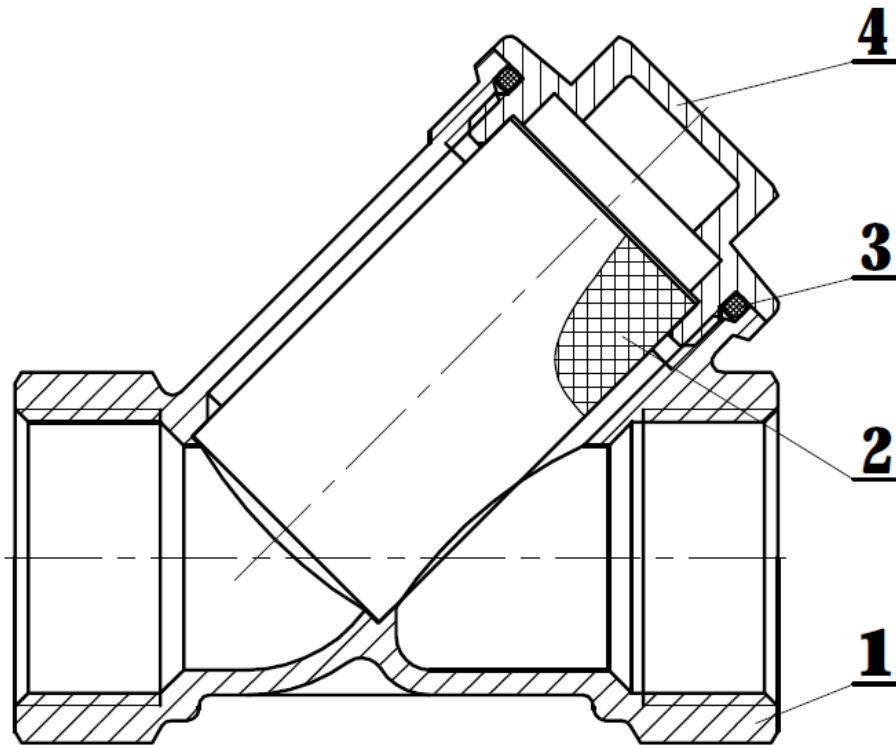
DN	3/8"	1/2"	3/4"	1"	1"1/4	1"1/2	2"
Kvs (m3/h)	1.31	4.07	8.11	11.15	17.24	26.38	26.14

BRASS Y STRAINER

RANGE :

- Threaded BSP cylindrical ends DN 3/8" to DN 2"1/2

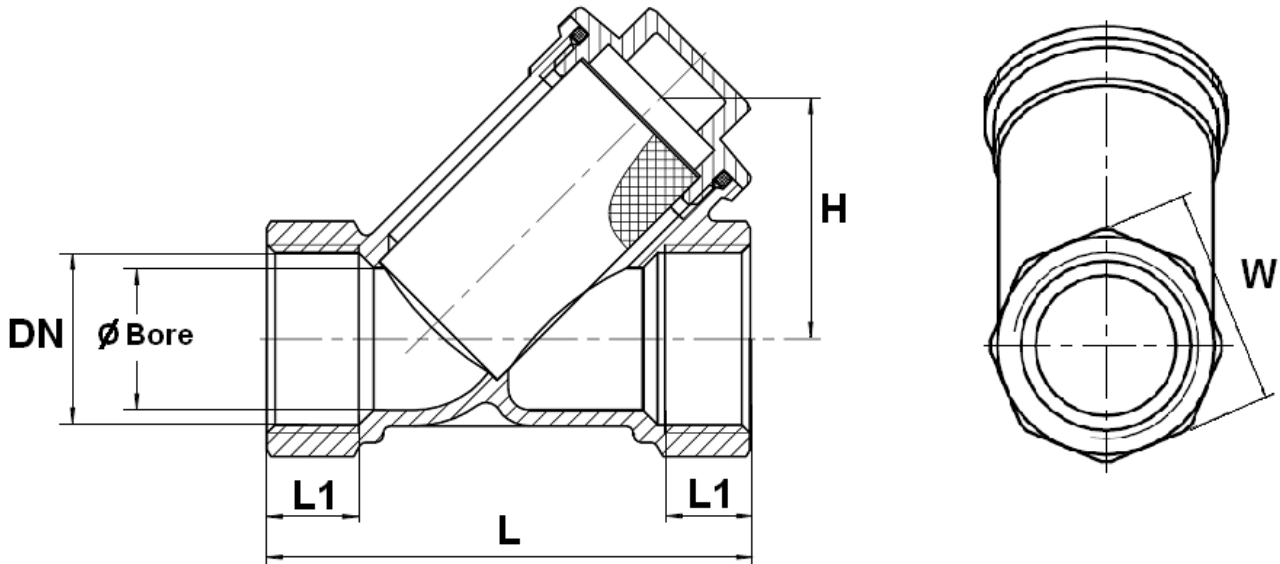
MATERIALS :



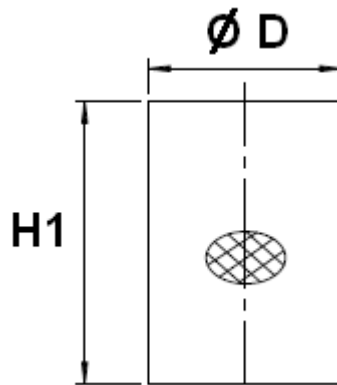
Item	Designation	Materials
1	Body	Brass CW 617 N according to EN 12165
2	Filter	AISI 304
3	O ring	EPDM
4	Cap	Brass CW 617 N according to EN 12165

BRASS Y STRAINER

SIZE (in mm) :



Filter size :



Ref.	DN	3/8"	1/2"	3/4"	1"	1"1/4	1"1/2	2"	2"1/2
206	Ø Bore	12	15.6	20	26	32	42	50	60
	L	48	58	68	75	90	108	130	150
	L1	9	11	13	14	16.5	18	20	20
	H	22	23.5	33.3	38	42	49.5	61	75.3
	W	20	25	31	38	47	54	67	84
	Ø D	14.5	18.5	23.5	27.5	33.5	42.5	52.5	65
	H1	22	25	40	40.5	46	54	63	83
	Weight (Kg)	0.074	0.135	0.215	0.335	0.475	0.770	1.280	2.100

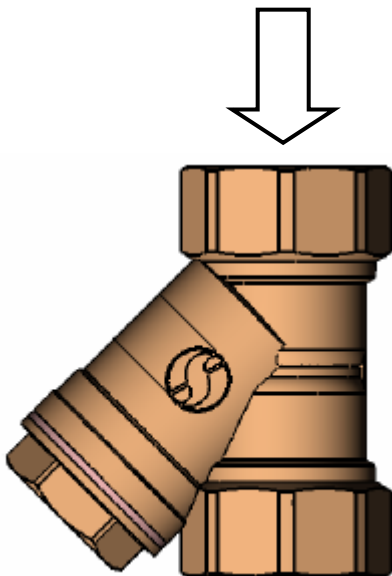
BRASS Y STRAINER

STANDARDS :

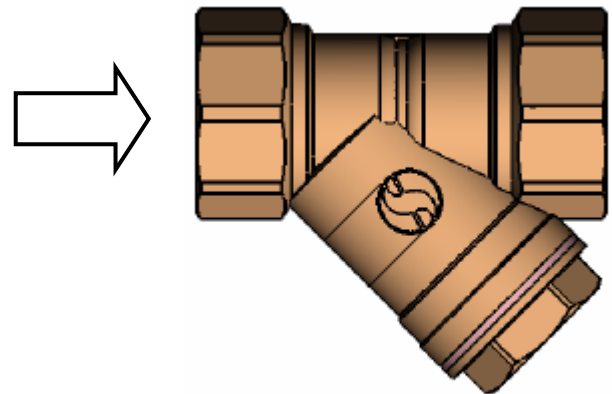
- Fabrication according to ISO 9001 :2015
- DIRECTIVE 2014/68/EU : Products excluded from directive (Article 1, § 2.b)
- French water agreement **A.C.S. N° 16 ACC LY 255**
- Threaded female BSP cylindrical according to ISO 228-1

INSTALLATION POSITIONS :

Vertical position (descendand fluid)



Horizontal position



ADVICE : Our opinion and our advice are not guaranteed and SFERACO shall not be liable for the consequences of damages.
The customer must check the right choice of the products with the real service conditions.

BRASS Y STRAINER

INSTALLATION INSTRUCTIONS

GENERAL GUIDELINES :

- Ensure that the strainers to be used are appropriate for the conditions of the installation (type of fluid, pressure and temperature).
- Be sure to have enough valves to be able to isolate the sections of piping as well as the appropriate equipment for maintenance and repair.
- Ensure that the strainers to be installed are of correct strength to be able to support the capacity of their usage.
- **Installation of all circuits should ensure that their function can be automatically tested on a regular basis (at least two times a year).**

INSTALLATION INSTRUCTIONS :

- **Before installing the strainers, clean and remove any objects from the pipes** (in particular bits of sealing and metal) which could obstruct and block the strainers.
- **Ensure that both connecting pipes either side of the strainer (upstream and downstream) are aligned (if they're not, the strainer may not work correctly).**
- **Make sure that the two sections of the pipe (upstream and downstream) match, the strainer unit will not absorb any gaps. Any distortions in the pipes may affect the tightness of the connection, the working of the strainer and can even cause a rupture.** To be sure, place the kit in position to ensure the assembling will work.
- The theoretical lengths given by ISO/R7 for the tapping are typically longer than required, the length of the thread should be limited, and **check that the end of the tube does not press right up to the head of the thread.**
- **Never use a vice to tighten the fixings of the strainer.**
- **If sections of piping do not have their final support in place, they should be temporarily fixed. This is to avoid unnecessary strain on the strainer.**
- **Fluids in the strainer must not contain solid objects (it could damaged the seat).**