

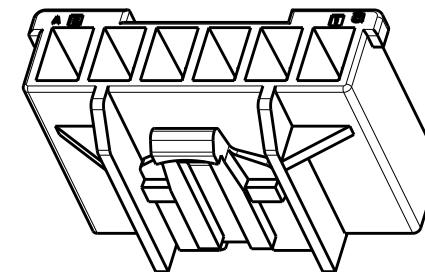
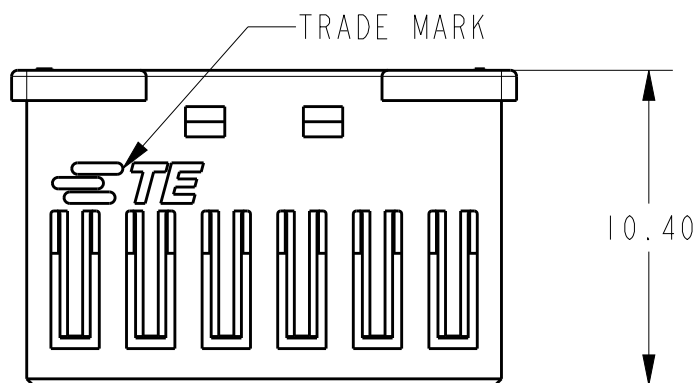
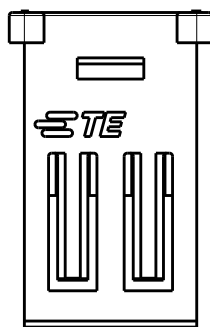
THIS DRAWING IS UNPUBLISHED. RELEASED FOR PUBLICATION

© COPYRIGHT - BY - TE CONNECTIVITY ALL RIGHTS RESERVED.

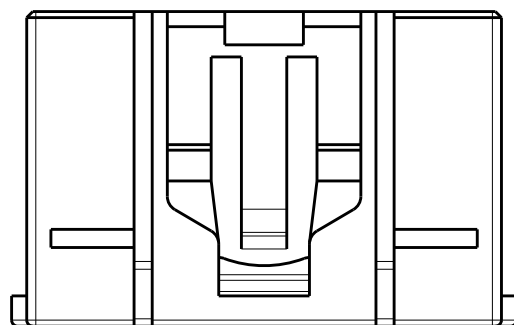
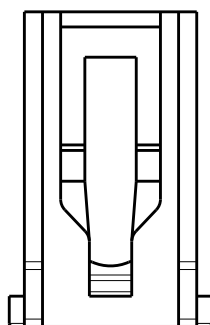
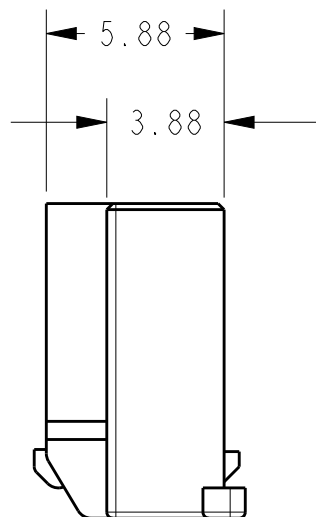
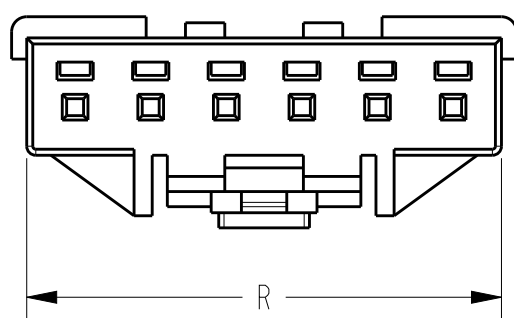
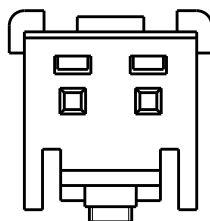
LOC	DIST	REVISIONS					
		P	LTR	DESCRIPTION	DATE	DWN	APVD
-	-		A	INITIAL	13APR2012	ZHJ	E. K
			A2	UPDATE FOR ERGONOMIC FEATURE	19SEP2012	HJ. Z	YH. M

(2 POS.)

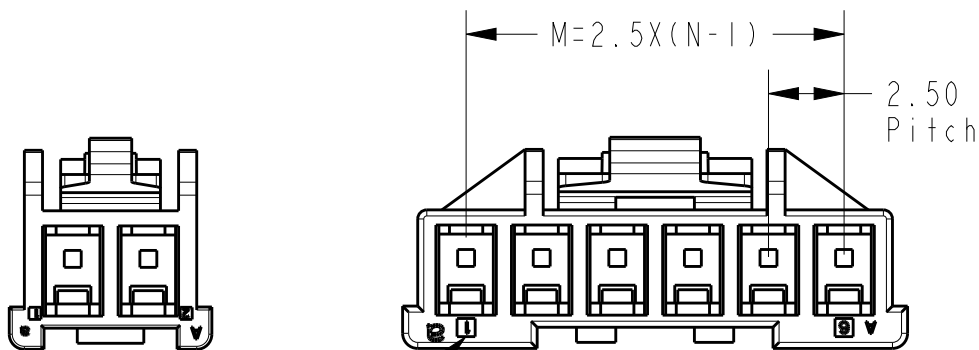
(6 POS.)



- Notes:
- 1 GENERAL TOLERANCE  $\pm 0.3, \pm 3^\circ$
  - 2 MATERIAL: PA66 GF(UL94V-0)
  - 3 MATING CONN. P/N: SEE TABLE
  - 4 APPLICABLE CONTACT P/N: 1971795-1



MATING CONN P/N	COLOR	KEYING	R	M	P	N(POS.)	PART NO.
8-1971798-X	YELLOW	D	20.7	17.5	10.2	8	8-1971793-4
	RED	C					8-1971793-3
	BLUE	B					8-1971793-2
	NATURAL	A					8-1971793-1
6-1971798-X	YELLOW	D	15.7	12.5	8.6	6	6-1971793-4
	RED	C					6-1971793-3
	BLUE	B					6-1971793-2
	NATURAL	A					6-1971793-1
5-1971798-X	YELLOW	D	13.2	10	8.6	5	5-1971793-4
	RED	C					5-1971793-3
	BLUE	B					5-1971793-2
	NATURAL	A					5-1971793-1
3-1971798-X	YELLOW	D	8.2	5	6.2	3	3-1971793-4
	RED	C					3-1971793-3
	BLUE	B					3-1971793-2
	NATURAL	A					3-1971793-1
2-1971798-X	YELLOW	D	5.7	2.5	5.7	2	2-1971793-4
	RED	C					2-1971793-3
	BLUE	B					2-1971793-2
	NATURAL	A					2-1971793-1



CIRCUIT NO. 1

THIS DRAWING IS A CONTROLLED DOCUMENT.

DWN HJ.Z 19SEP2012  
 CHK HJ.Z 19SEP2012  
 APVD YH.M 19SEP2012

PRODUCT SPEC 108-106077  
 APPLICATION SPEC

WEIGHT -

Customer Drawing

SCALE / SHEET 1 OF 1 REV A2

**STE** TE Connectivity

NAME: NEXT GENERATION GRACE INERTIA CONNECTOR 2.5 PLUG HOUSING

SIZE A3 CAGE CODE - DRAWING NO. C-C-1971793 RESTRICTED TO -