

# Connector TE 316 Stainless Steel



## INDEX

[Leaflet](#)

[Catalogue Information](#)

[Technical Drawings](#)

## WEB LINKS

[Connector TE – 316 Stainless Steel Information Page](#)

[Ask a question / Send us an enquiry](#)

[Information about B&R](#)

[Local Sales Team Phone Numbers](#)

## Connector TE – 316 Stainless Steel



### Features

- Protection rating – IP66
- Approvals  
CE marked  
Lloyds
- Fully welded construction
- Captive 316 stainless steel combo head screws used to prevent loss when fastening
- Provisions for mounting DIN rails or a mounting pan increasing the application flexibility
- Flat face gutter
- FIP polyurethane gasket



#### OVERVIEW

The Connector TE/S enclosures is suitable for applications where a smaller, robust enclosure is required. Mounting electrical equipment can be done via a mounting pan or DIN rail, both of which have been ergonomically designed for easy installation. The flat face gutter ensures a reliable and long-lasting seal no matter what the application.

#### APPLICATION

Typical applications include housing terminations, pushbuttons or switchgear in harsh environments where a robust enclosure is required.

#### MATERIALS

- Body – 316 stainless steel
- Body thickness – 1.2 / 1.5mm
- Gasket – FIP polyurethane
- Surface finish – N4

#### INCLUSIONS

- Earth strap kit



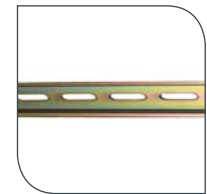
# Connector TE – 316 Stainless Steel

## SELECTION GUIDE

Catalogue No.	Dimensions (mm)			Usable Depth (mm)		Weight (kg)
	Height	Width	Depth	With DIN Rail	With Mounting Pan	
TE1108/S	150	150	80	47	60	1.2
TE3112/S	300	150	120	87	100	2.4
TE2212/S	200	200	120	87	100	2.2
TE3212/S	300	200	120	87	100	2.9
TE4212/S	400	200	120	87	100	3.6
TE6212/S	600	200	120	87	100	4.9

## ACCESSORIES

Product	Description	Catalogue No.
Mounting pan – 2mm metal (white)	122 x 120mm	TEMP11
	172 x 170mm	TEMP22
	272 x 120mm	TEMP31
	272 x 170mm	TEMP32
	372 x 170mm	TEMP42
	572 x 170mm	TEMP62
DIN Rail – aluminium	140 x 35mm	TED1
	190 x 35mm	TED2
	290 x 35mm	TED3
	390 x 35mm	TED4
	590 x 35mm	TED6
Wall mounting brackets	316 stainless steel (4)	MEB/S



Din Rail – aluminium

### National Sales

P 1300 Enclosures (1300 362 567)

F 1300 796 599

E sales@brencllosures.com.au

brencllosures.com.au

### Queensland

North Queensland

New South Wales

Newcastle

P +61 7 3714 1111

P +61 7 4727 1900

P +61 2 9915 9555

P +61 2 4961 4433

### Victoria

South Australia

Northern Territory

Western Australia

P +61 3 9552 0552

P +61 8 8417 6222

P +61 8 8947 0870

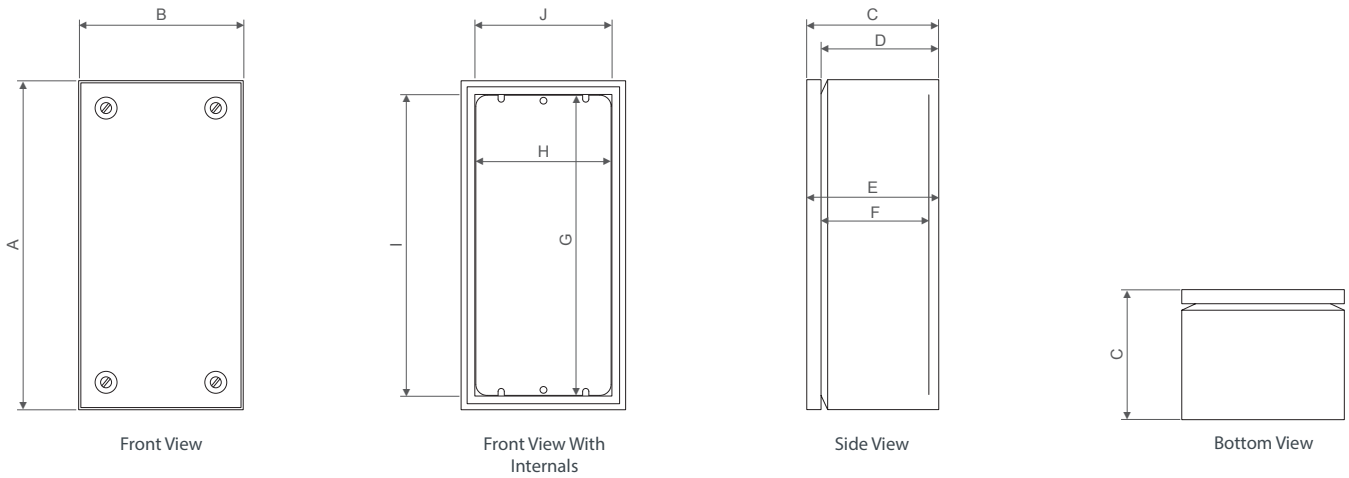
P +61 8 6310 4777



# Connector TE – 316 Stainless Steel



## Technical Drawings



Catalogue No.		Dimensions (mm)										No. of Fixings
		External				Internal Depth		Mounting Pan		Opening Size		
Zinc coated steel	Stainless steel	A	B	C	D	E	F	G*	H*	I	J	
TE1108	TE1108/S	150	150	80	61	77	48	122	120	125	125	4
TE3112	TE3112/S	300	150	120	101	117	88	272	120	275	125	4
TE2212	TE2212/S	200	200	120	101	117	88	172	170	175	175	4
TE3212	TE3212/S	300	200	120	101	117	88	272	170	275	175	4
TE4212	TE4212/S	400	200	120	101	117	88	372	170	375	175	6
TE6212	TE6212/S	600	200	120	101	117	88	572	170	575	175	6

\* Mounting pan is optional extra