

Mod. G7575 - Fittings Series 7000 - Automation

Product code: G7575 8-6

Datasheet creation date: 11/12/2025 09:26

Check the most updated document online [click here](#)

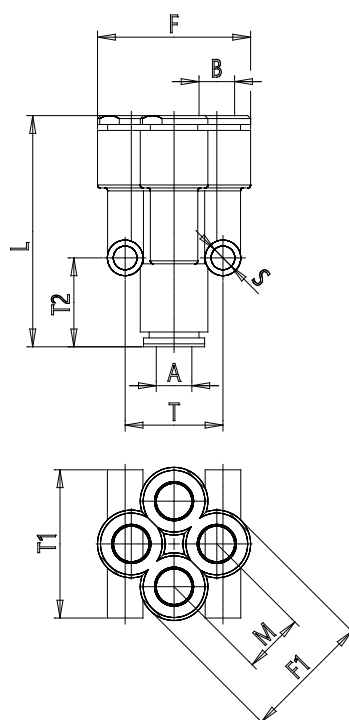


■ TECHNICAL DATA

Mod.	G7575 8-6
------	-----------

Mod. G7575 - Fittings Series 7000 - Automation

Product code: G7575 8-6



DIMENSIONS

A (mm)	8
B (mm)	6
F (mm)	27.0
F1 (mm)	22
L (mm)	39.0
M (mm)	11.5
S (mm)	4
T (mm)	16.5
T1 (mm)	27.0
T2 (mm)	15.0
Weight (g)	19.5