



26" PRO35™ STACK FOAM TOOL KIT 528 PIECES RED

- A 26" tool kit with 528 pieces tailored for mining and heavy industry
- 12-drawer stacked tool storage with full extension ball bearing slides and a 30 kg capacity per drawer
- Powder coated heavy gauge steel construction enhanced by a 5-step phosphate-free rust prevention process
- Features 5" castors, noise-reducing EVA-mats and a comfort grip handle for easy mobility
- Includes a broad range of tools secured by 3-digit combination locks
- TengTools Tool Control System in high-density EVA foam

The TengTools 26" PRO35™ tool kit TKS26R528F encompasses 528 pieces, providing an extensive tool range for the challenging environments of mining and heavy industry. This 2-tiered stack system includes the TSW26R7 roller cabinet and the TST26R5F tool chest, together forming a storage system with 12 fully extendable drawers. The overall dimensions are 680 mm in width, 460 mm in depth, and 1430 mm in height with castors, making it a sizable yet manageable tool kit. The roller cabinet consists of seven drawers, with five measuring 75 mm in height and two taller drawers at 154 mm, each able to support up to 40 kg. The TST26R5F tool chest adds five more drawers – two at 50 mm and three at 75 mm in height, that can be covered by a drop front with the TengTools logo. The tool kit is equipped for a wide array of tasks, including various sizes of impact sockets, spanners, screwdrivers, bits, nut drivers, T-handles, and pliers. All tools are organized in three-color precision cut high-density EVA foam modules, which is a factor in quickly identifying missing tools to maintain efficiency and safety in all operations. The roller cabinet is designed for ease of movement, featuring two 5" braked swivel castors and two 5" fixed castors, along with a comfort grip handle. Both the roller cabinet and tool chest are equipped with durable aluminium handles and have drawers operating on smooth running ball bearing slides. Security is enhanced with a 3-digit combination lock on each unit to protect valuable tools. The heavy gauge top-quality steel construction of these units ensures they can endure the demands of professional use in tough environments. Additionally, both units have been subjected to a 5-step phosphate-free rust prevention process and are finished with a powder coating in matte red.

General information

Country of origin: Taiwan
Barcode: 5020385215559
Tarriff code Europe: 8206000000
ECCN US: EAR99
UNSPSC: 27113201

Dimensions

Net weight (g): 206070
Width (mm): 680
Depth (mm): 460
Height (mm): 1430
Height with castors (mm): 1430
Max static load: 530 kg
Max dynamic load: 330 kg
Number of drawer: 12
Drawer capacity: 5 × 30 kg, 7 × 40 kg
Drawer depth: 12 × 380 mm
Drawer height: 2 × 50 mm, 8 × 75 mm, 2 × 154 mm
Drawer width: 12 × 575 mm

Attributes

Product type: Mobile Tool Kits
User segment: Mining
Number of pieces: 528
Inlay material: FOAM
Colour: Red
Castor size: 5" x 1-1/4"
Braked swivel castors: 2
Fixed castors: 2
Type of work top: 5 mm EVA mat

Features



Technical changes and errors may occur. 01-08-2024 20:00



DESIGNED IN SWEDEN

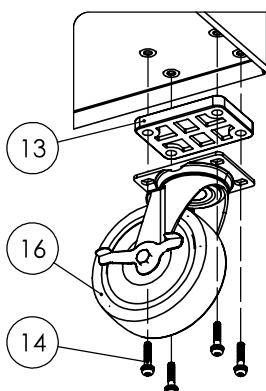
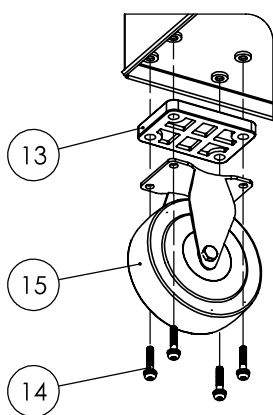
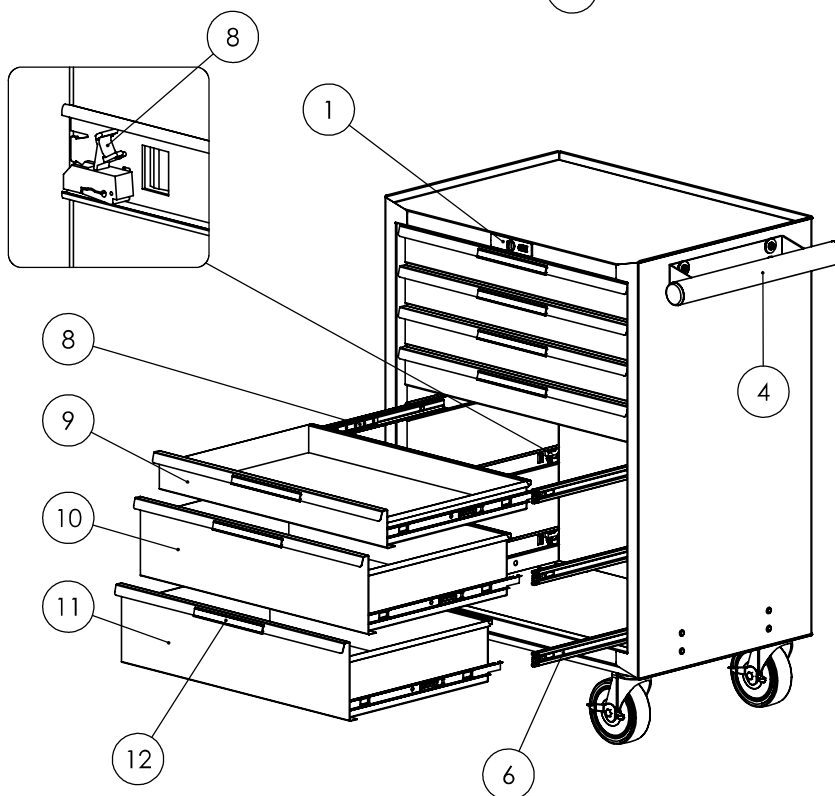
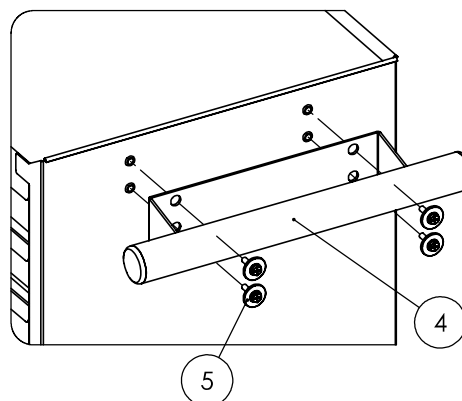
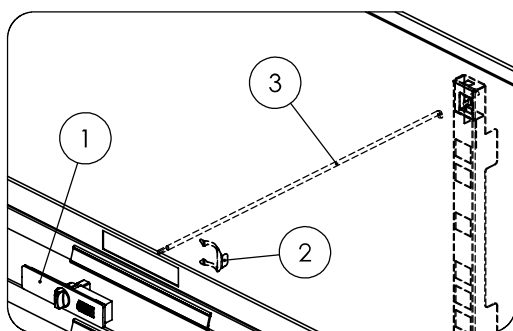
TengTools is a Swedish company present in more than 30 markets worldwide, and offers hand tools in smart storage solutions for demanding professionals within the automotive, maintenance and engineering sectors, as well as motor sport enthusiasts who aspire to use the same tools as top mechanics across the globe.



Sandbergsvägen 3
 441 39 Alingsås, Sweden

SPARE PART LIST

TSW26R7
Version: 4



POS	DESCRIPTION	ITEM ID
1A	Combination lock 180°	TC-180CLOCK
1B	Key cylinder lock 180° (optional)	TC-180KEYLOCK
2	Cam for lock (included in Pos 1)	TCW806N-02
3	Locking bar	TCW603-01
4	Side handle	TCW807NBK1-14
5	Screws for side handle (4pcs)	TCW603-08
6	Slider 16" 36 mm Right (1pc)	TCW806N-06
7	Slider 16" 36 mm Left (1pc)	TCW810N-06
8	Clip for sliders (included in Pos 6 & 7)	Wheel back.iam
9	Drawer 575 x 380 x 75 mm Red	TSW26R-75
10	Drawer 575 x 380 x 154 mm Red	TSW26R-150
11	Drawer 575 x 380 x 154 mm Red with Logo	TSW26RF-150
12A	Aluminium drawer handle (3 pcs)	ALUE803
12B	Aluminium drawer handle (4 pcs)	ALUE804
13	Plastic spacer for casters 10 mm (1 pc)	TCW603-03
14	Screws for casters (4 pcs)	TCW603-09
15	Fixed casters 5" x 1-1/4" (1 pc)	TCW807N-13
16	Swivel casters 5" x 1-1/4" (1 pc)	TCW807N-12

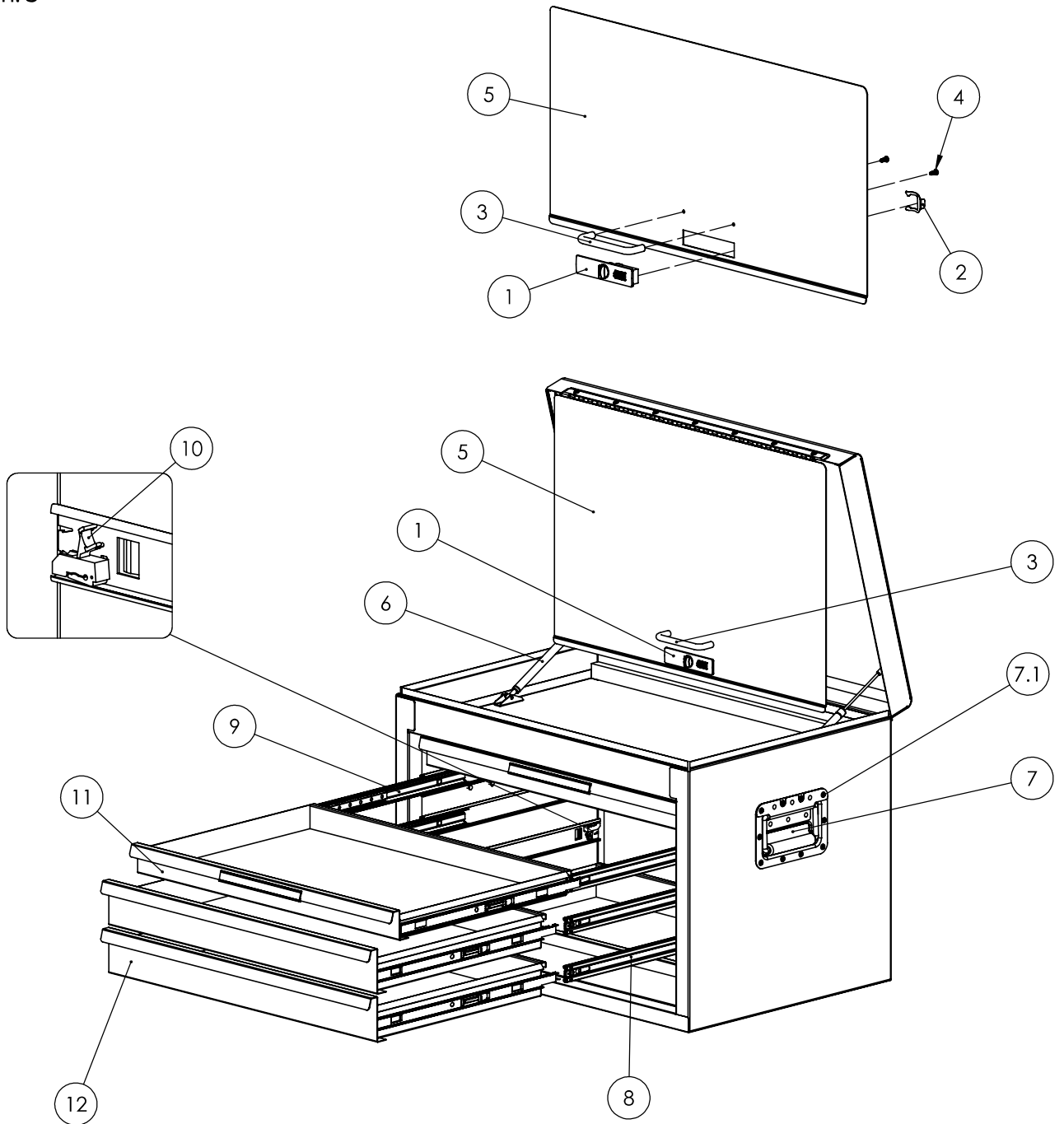
SPARE PART LIST

TST26R5F

Version: 3



WWW.TENGTTOOLS.COM

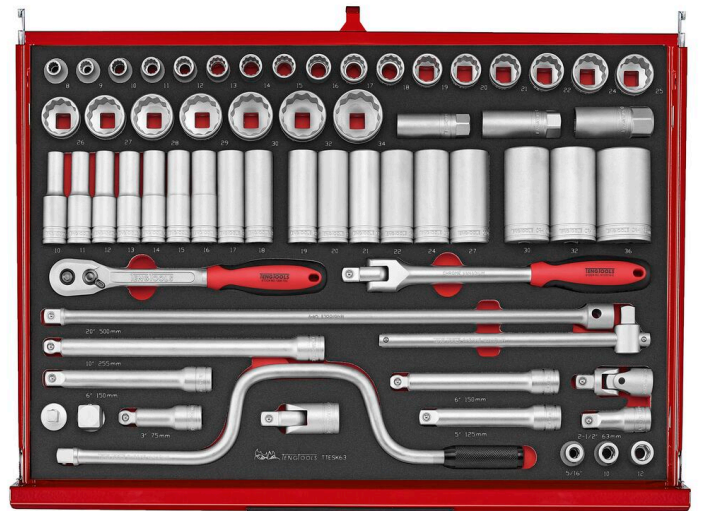
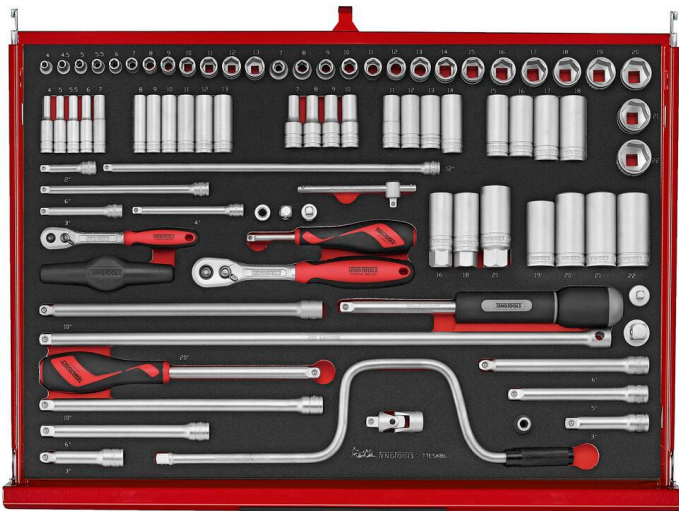


POS	DESCRIPTION	ITEM ID
1A	Combination lock 90°	TC-90CLOCK
1B	Key cylinder lock 90° (optional)	TC-90KEYLOCK
2	Cam for lock (included in Pos 1)	TC803-05
3	Drop front handle Black	TC805NFXBK1-10
4	Screws for drop fron handle (2 pcs)	TC606-10
5	Drop front 26" with Logo Red	TC805NFX-11
6	Hydraulic Lid Stay (2 pcs)	TC805NFX-12
7	Retractable side handle	TCDSHA
7.1	Rivets: 4,8mm x 7,4mm Black (10 pcs)	-
8	Slider 16" 36 mm Right (1pc)	TCW806N-06
9	Slider 16" 36 mm Left (1pc)	TCW810N-06
10	Clip for slider (included in Pos 9)	TC803N-13
11	Drawer 575 x 380 x 50 mm Red	TST26R-50
12	Drawer 575 x 380 x 75 mm Red	TSW26R-75
13A	Aluminium drawer handle (3 pcs)	ALUE803
13B	Aluminium drawer handle (4 pcs)	ALUE804

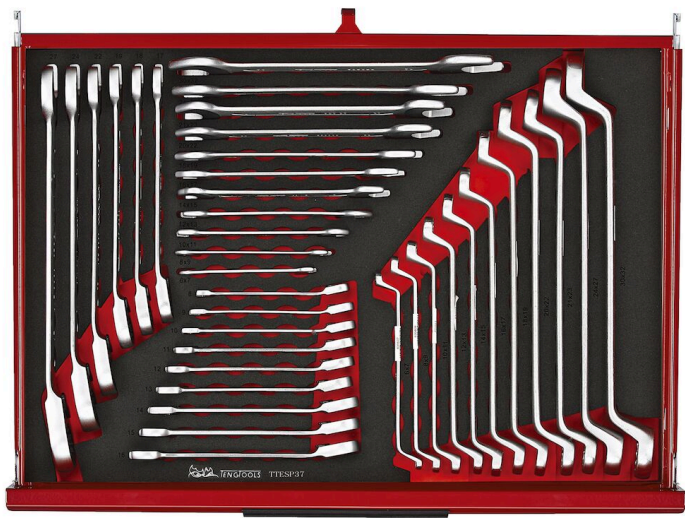
ADDITIONAL IMAGES



WWW.TENGOOLS.COM







LIST OF CONTENTS



TKS26R528F	26" PRO35™ stack FOAM tool kit 528 pieces red
TCA08	Paper roll holder for side handle
TST26R5F	26" PRO35™ deep tool chest 5 drawers red
TSW26R7	26" PRO35™ roller cabinet 7 drawers red
TTEISK33	3/4" Impact Socket Set DIN FOAM4X4 33 Pieces
940022-C	3/4" Impact Extension Bar DIN 175 mm
940030-C	3/4" Impact Universal Joint DIN
940037-C	Impact Reducing Adaptor 3/4"F - 1/2"M DIN
940085-C	Impact Step Up Adaptor 3/4"F - 1"M DIN
940519-C	3/4" Impact Socket DIN Metric 19 mm
940521-C	3/4" Impact Socket DIN Metric 21 mm
940522-C	3/4" Impact Socket DIN Metric 22 mm
940523-C	3/4" Impact Socket DIN Metric 23 mm
940524-C	3/4" Impact Socket DIN Metric 24 mm
940527-C	3/4" Impact Socket DIN Metric 27 mm
940528-C	3/4" Impact Socket DIN Metric 28 mm
940530-C	3/4" Impact Socket DIN Metric 30 mm
940532-C	3/4" Impact Socket DIN Metric 32 mm
940533-C	3/4" Impact Socket DIN Metric 33 mm
940534-C	3/4" Impact Socket DIN Metric 34 mm
940536-C	3/4" Impact Socket DIN Metric 36 mm
940538-C	3/4" Impact Socket DIN Metric 38 mm
940541-C	3/4" Impact Socket DIN Metric 41 mm
940546-C	3/4" Impact Socket DIN Metric 46 mm
940619-C	3/4" Deep Impact Socket DIN Metric 19 mm
940621-C	3/4" Deep Impact Socket DIN Metric 21 mm
940622-C	3/4" Deep Impact Socket DIN Metric 22 mm
940623-C	3/4" Deep Impact Socket DIN Metric 23 mm
940624-C	3/4" Deep Impact Socket DIN Metric 24 mm
940627-C	3/4" Deep Impact Socket DIN Metric 27 mm
940630-C	3/4" Deep Impact Socket DIN Metric 30 mm
940632-C	3/4" Deep Impact Socket DIN Metric 32 mm
940633-C	3/4" Deep Impact Socket DIN Metric 33 mm
940634-C	3/4" Deep Impact Socket DIN Metric 34 mm
940636-C	3/4" Deep Impact Socket DIN Metric 36 mm
940638-C	3/4" Deep Impact Socket DIN Metric 38 mm
940641-C	3/4" Deep Impact Socket DIN Metric 41 mm
940646-C	3/4" Deep Impact Socket DIN Metric 46 mm
O95036	Retaining Ring 36 × 5.0 mm
P90435	Retaining Pin 4 × 35 mm
TTEISK73	3/8" & 1/2" Impact Socket Set FOAM4X4 73 Pieces

920020N	1/2" Impact Extension Bar DIN 75 mm
920021N	1/2" Impact Extension Bar DIN 125 mm
920023N	1/2" Impact Extension Bar DIN 250 mm
920030N	1/2" Impact Universal Joint DIN
920036N	Impact Reducing Adaptor 1/2"F - 3/8"M DIN
920037N	Impact Step Up Adaptor 1/2"F - 3/4"M DIN
920060-C	1/2" Impact Coupler Adaptor 5/16" Hex
920508N	1/2" Impact Socket DIN Metric 8 mm
920510N	1/2" Impact Socket DIN Metric 10 mm
920511N	1/2" Impact Socket DIN Metric 11 mm
920512N	1/2" Impact Socket DIN Metric 12 mm
920513N	1/2" Impact Socket DIN Metric 13 mm
920514N	1/2" Impact Socket DIN Metric 14 mm
920515N	1/2" Impact Socket DIN Metric 15 mm
920516N	1/2" Impact Socket DIN Metric 16 mm
920517N1	1/2" Impact Socket DIN Metric 17 mm
920518N	1/2" Impact Socket DIN Metric 18 mm
920519N1	1/2" Impact Socket DIN Metric 19 mm
920520N	1/2" Impact Socket DIN Metric 20 mm
920521N1	1/2" Impact Socket DIN Metric 21 mm
920522N	1/2" Impact Socket DIN Metric 22 mm
920523N	1/2" Impact Socket DIN Metric 23 mm
920524N	1/2" Impact Socket DIN Metric 24 mm
920525N	1/2" Impact Socket DIN Metric 25 mm
920526N	1/2" Impact Socket DIN Metric 26 mm
920527N	1/2" Impact Socket DIN Metric 27 mm
920528N	1/2" Impact Socket DIN Metric 28 mm
920529N	1/2" Impact Socket DIN Metric 29 mm
920530N	1/2" Impact Socket DIN Metric 30 mm
920532N	1/2" Impact Socket DIN Metric 32 mm
920610N	1/2" Deep Impact Socket DIN Metric 10 mm
920611N	1/2" Deep Impact Socket DIN Metric 11 mm
920612N	1/2" Deep Impact Socket DIN Metric 12 mm
920613N	1/2" Deep Impact Socket DIN Metric 13 mm
920614N	1/2" Deep Impact Socket DIN Metric 14 mm
920615N	1/2" Deep Impact Socket DIN Metric 15 mm
920616N	1/2" Deep Impact Socket DIN Metric 16 mm
920617N	1/2" Deep Impact Socket DIN Metric 17 mm
920618N	1/2" Deep Impact Socket DIN Metric 18 mm
920619N	1/2" Deep Impact Socket DIN Metric 19 mm
920621N	1/2" Deep Impact Socket DIN Metric 21 mm
920622N	1/2" Deep Impact Socket DIN Metric 22 mm
920624N	1/2" Deep Impact Socket DIN Metric 24 mm
920627N	1/2" Deep Impact Socket DIN Metric 27 mm

920628N	1/2" Deep Impact Socket DIN Metric 28 mm
920629N	1/2" Deep Impact Socket DIN Metric 29 mm
920630N	1/2" Deep Impact Socket DIN Metric 30 mm
920632N	1/2" Deep Impact Socket DIN Metric 32 mm
920635N	1/2" Deep Impact Socket DIN Metric 35 mm
920636N	1/2" Deep Impact Socket DIN Metric 36 mm
980020-C	3/8" Impact Extension Bar DIN (F) ANSI (M) 75 mm
980035-C	Impact Reducing Adaptor 3/8"F - 1/4"M DIN
980036-C	Impact Step Up Adaptor 3/8"F - 1/2"M DIN
980060-C	3/8" Impact Coupler Adaptor 1/4" Hex
980508-C	3/8" Impact Socket ANSI Metric 8 mm
980510-C	3/8" Impact Socket ANSI Metric 10 mm
980511-C	3/8" Impact Socket ANSI Metric 11 mm
980512-C	3/8" Impact Socket ANSI Metric 12 mm
980513-C	3/8" Impact Socket ANSI Metric 13 mm
980514-C	3/8" Impact Socket ANSI Metric 14 mm
980515-C	3/8" Impact Socket ANSI Metric 15 mm
980516-C	3/8" Impact Socket ANSI Metric 16 mm
980517-C	3/8" Impact Socket ANSI Metric 17 mm
980519-C	3/8" Impact Socket ANSI Metric 19 mm
980608-C	3/8" Deep Impact Socket ANSI Metric 8 mm
980610-C	3/8" Deep Impact Socket ANSI Metric 10 mm
980611-C	3/8" Deep Impact Socket ANSI Metric 11 mm
980612-C	3/8" Deep Impact Socket ANSI Metric 12 mm
980613-C	3/8" Deep Impact Socket ANSI Metric 13 mm
980614-C	3/8" Deep Impact Socket ANSI Metric 14 mm
980616-C	3/8" Deep Impact Socket ANSI Metric 16 mm
980617-C	3/8" Deep Impact Socket ANSI Metric 17 mm
980619-C	3/8" Deep Impact Socket ANSI Metric 19 mm
O92194	Retaining Ring 19 × 4.0 mm
O92244	Retaining Ring 24 × 4.0 mm
P92320	Retaining Pin 3 × 20 mm
P92325	Retaining Pin 3 × 25 mm
TTEMB14Q	Plier Set Vinyl Grip Q FOAM4X4 14 Pieces
BC408	Mini Bolt Cutter 200 mm
MB441-5	Side Cutting Plier 135 mm
MB442-6	Heavy Duty Side Cutting Plier 160 mm
MB444-6	Cable Cutter 160 mm
MB452-7	Heavy Duty Combination Plier 185 mm
MB461-8	Long Nose Plier 200 mm
MB463-8	Bent Long Nose Plier 200 mm
MB464-6	Flat Nose Plier 165 mm
MB482-10Q	Quick Set Water Pump Plier HRC60 250 mm
MB482-7Q	Quick Set Water Pump Plier HRC60 185 mm

MBE470-7	Circlip Plier Inner Straight PRO 175 mm
MBE471-7	Circlip Plier Inner Bent PRO 175 mm
MBE472-7	Circlip Plier Outer Straight PRO 175 mm
MBE473-7	Circlip Plier Outer Bent PRO 165 mm
TTEMD122N	Screwdriver Set Mixed FOAM4X4 122 Pieces
FL2506A03	1/4" Flat Bits 25 mm 0.6 × 3.5 mm
FL2506B03	1/4" Flat Bits 25 mm 0.6 × 4.5 mm
FL2507A03	1/4" Flat Bits 25 mm 7 mm
FL2508A03	1/4" Flat Bits 25 mm 0.8 × 4.0 mm
FL2508A03	1/4" Flat Bits 25 mm 0.8 × 4.0 mm
FL2508B03	1/4" Flat Bits 25 mm 0.8 × 5.5 mm
FL2510A03	1/4" Flat Bits 25 mm 1.0 × 5.5 mm
FL2510A03	1/4" Flat Bits 25 mm 1.0 × 5.5 mm
FL2512A03	1/4" Flat Bits 25 mm 1.2 × 6.5 mm
FL2516A03	1/4" Flat Bits 25 mm 1.6 × 8.0 mm
FL5006A03	1/4" Flat Bits 50 mm 0.6 × 3.5 mm
FL5008A03	1/4" Flat Bits 50 mm 0.8 × 4.0 mm
FL5008B03	1/4" Flat Bits 50 mm 0.8 × 5.5 mm
FL5010A03	1/4" Flat Bits 50 mm 1.0 × 5.5 mm
FL5012A03	1/4" Flat Bits 50 mm 1.2 × 6.5 mm
GR25002010	1/4" PH G Bits 25 mm PH2G
GR25002010	1/4" PH G Bits 25 mm PH2G
GR25002010	1/4" PH G Bits 25 mm PH2G
HEX2500203	1/4" Hex Bits 25 mm 2 mm
HEX2500303	1/4" Hex Bits 25 mm 3 mm
HEX2500403	1/4" Hex Bits 25 mm 4 mm
HEX2500503	1/4" Hex Bits 25 mm 5 mm
HEX2500603	1/4" Hex Bits 25 mm 6 mm
HEX2500803	1/4" Hex Bits 25 mm 8 mm
HEX5000403	1/4" Hex Bits 50 mm 4 mm
HEX5000503	1/4" Hex Bits 50 mm 5 mm
HEX5000603	1/4" Hex Bits 50 mm 6 mm
HEX5000803	1/4" Hex Bits 50 mm 8 mm
M140037	Hex Socket Adaptor 1/4" Hex - 1/4" 25 mm
MD915N	Flat Screwdriver 0.5 × 2.5 × 75 mm S
MD916N	Flat Screwdriver 0.6 × 3.5 × 75 mm S
MD917N	Flat Screwdriver 0.8 × 4.0 × 100 mm S
MD920N1	Flat Screwdriver 0.5 × 3.0 × 100 mm S
MD922N	Flat Screwdriver 1.0 × 5.5 × 75 mm S
MD923N	Flat Screwdriver 1.0 × 5.5 × 150 mm M
MD928N	Flat Screwdriver 1.2 × 6.5 × 38 mm XS
MD932N	Flat Screwdriver 1.2 × 6.5 × 100 mm L Hex Shaft
MD932N1	Flat Screwdriver 1.2 × 6.5 × 150 mm L Hex Shaft
MD934N	Flat Screwdriver 1.2 × 8.0 × 150 mm XL Hex Shaft

MD935N	Flat Screwdriver 1.6 × 10.0 × 200 mm XL Hex Shaft
MD940N	PH Screwdriver PH0 × 75 mm S
MD947N	PH Screwdriver PH1 × 38 mm XS
MD947N1	PH Screwdriver PH1 × 75 mm M
MD948N	PH Screwdriver PH2 × 38 mm XS
MD952N	PH Screwdriver PH2 × 100 mm L Hex Shaft
MD953N	PH Screwdriver PH3 × 150 mm XL Hex Shaft
MD954N	PH Screwdriver PH4 × 200 mm XL Hex Shaft
MD960N	PZ Screwdriver PZ0 × 75 mm S
MD961N	PZ Screwdriver PZ1 × 75 mm M
MD961N2	PZ Screwdriver PZ1 × 38 mm XS
MD962N1	PZ Screwdriver PZ2 × 150 mm L
MD962N2	PZ Screwdriver PZ2 × 100 mm L Hex Shaft
MD962N3	PZ Screwdriver PZ2 × 38 mm XS
MD963N	PZ Screwdriver PZ3 × 150 mm XL Hex Shaft
MDR908	1/4" Ratcheting Bits Driver Set
FL2507A03	1/4" Flat Bits 25 mm 7 mm
FL2510A03	1/4" Flat Bits 25 mm 1.0 × 5.5 mm
M140037	Hex Socket Adaptor 1/4" Hex - 1/4" 25 mm
PH2500103	1/4" PH Bits 25 mm PH1
PH2500203	1/4" PH Bits 25 mm PH2
PZ2500103	1/4" PZ Bits 25 mm PZ1
PZ2500203	1/4" PZ Bits 25 mm PZ2
PH2500103	1/4" PH Bits 25 mm PH1
PH2500103	1/4" PH Bits 25 mm PH1
PH2500103	1/4" PH Bits 25 mm PH1
PH2500103	1/4" PH Bits 25 mm PH1
PH2500203	1/4" PH Bits 25 mm PH2
PH2500203	1/4" PH Bits 25 mm PH2
PH2500203	1/4" PH Bits 25 mm PH2
PH2500203	1/4" PH Bits 25 mm PH2
PH2500303	1/4" PH Bits 25 mm PH3
PH2500303	1/4" PH Bits 25 mm PH3
PH2500303	1/4" PH Bits 25 mm PH3
PH5000103	1/4" PH Bits 50 mm PH1
PH5000203	1/4" PH Bits 50 mm PH2
PH5000203	1/4" PH Bits 50 mm PH2
PH5000303	1/4" PH Bits 50 mm PH3
PZ2500103	1/4" PZ Bits 25 mm PZ1
PZ2500103	1/4" PZ Bits 25 mm PZ1
PZ2500103	1/4" PZ Bits 25 mm PZ1
PZ2500103	1/4" PZ Bits 25 mm PZ1
PZ2500203	1/4" PZ Bits 25 mm PZ2
PZ2500203	1/4" PZ Bits 25 mm PZ2

PZ2500203	1/4" PZ Bits 25 mm PZ2
PZ2500203	1/4" PZ Bits 25 mm PZ2
PZ2500303	1/4" PZ Bits 25 mm PZ3
PZ2500303	1/4" PZ Bits 25 mm PZ3
PZ2500303	1/4" PZ Bits 25 mm PZ3
PZ5000103	1/4" PZ Bits 50 mm PZ1
PZ5000203	1/4" PZ Bits 50 mm PZ2
PZ5000203	1/4" PZ Bits 50 mm PZ2
PZ5000303	1/4" PZ Bits 50 mm PZ3
ROB2500103	1/4" ROB Bits 25 mm ROB1
ROB2500203	1/4" ROB Bits 25 mm ROB2
ROB2500303	1/4" ROB Bits 25 mm ROB3
TPX2501003	1/4" TPX Bits 25 mm TPX10
TPX2501503	1/4" TPX Bits 25 mm TPX15
TPX2502003	1/4" TPX Bits 25 mm TPX20
TPX2502003	1/4" TPX Bits 25 mm TPX20
TPX2502503	1/4" TPX Bits 25 mm TPX25
TPX2502503	1/4" TPX Bits 25 mm TPX25
TPX2502703	1/4" TPX Bits 25 mm TPX27
TPX2503003	1/4" TPX Bits 25 mm TPX30
TPX2504003	1/4" TPX Bits 25 mm TPX40
TX2500603	1/4" TX Bits 25 mm TX6
TX2500703	1/4" TX Bits 25 mm TX7
TX2500803	1/4" TX Bits 25 mm TX8
TX2500903	1/4" TX Bits 25 mm TX9
TX2501003	1/4" TX Bits 25 mm TX10
TX2501503	1/4" TX Bits 25 mm TX15
TX2502003	1/4" TX Bits 25 mm TX20
TX2502003	1/4" TX Bits 25 mm TX20
TX2502003	1/4" TX Bits 25 mm TX20
TX2502503	1/4" TX Bits 25 mm TX25
TX2502503	1/4" TX Bits 25 mm TX25
TX2502503	1/4" TX Bits 25 mm TX25
TX2502703	1/4" TX Bits 25 mm TX27
TX2503003	1/4" TX Bits 25 mm TX30
TX2504003	1/4" TX Bits 25 mm TX40
TX5000803	1/4" TX Bits 50 mm TX8
TX5001003	1/4" TX Bits 50 mm TX10
TX5001003	1/4" TX Bits 50 mm TX10
TX5001503	1/4" TX Bits 50 mm TX15
TX5002003	1/4" TX Bits 50 mm TX20
TX5002003	1/4" TX Bits 50 mm TX20
TX5002503	1/4" TX Bits 50 mm TX25
TX5002503	1/4" TX Bits 50 mm TX25

TX5002703 1/4" TX Bits 50 mm TX27

TX5003003 1/4" TX Bits 50 mm TX30

TTESK32 3/4" Socket Set FOAM4X4 32 Pieces

M3400-72 3/4" Ratchet Heavy Duty 72 Teeth

M3400225-C 3/4" Extension Bar Safety Lock 400 mm

M3400505-C 3/4" Sliding T Bar Safety Lock

M3400705-C 3/4" Flex Handle Safety Lock 480 mm

M340128-C 3/4" Socket 12 pt AF 7/8"

M340130-C 3/4" Socket 12 pt AF 15/16"

M340132-C 3/4" Socket 12 pt AF 1"

M340134-C 3/4" Socket 12 pt AF 1-1/16"

M340136-C 3/4" Socket 12 pt AF 1-1/8"

M340138-C 3/4" Socket 12 pt AF 1-3/16"

M340140-C 3/4" Socket 12 pt AF 1-1/4"

M340142-C 3/4" Socket 12 pt AF 1-5/16"

M340144-C 3/4" Socket 12 pt AF 1-3/8"

M340146-C 3/4" Socket 12 pt AF 1-7/16"

M340148-C 3/4" Socket 12 pt AF 1-1/2"

M340152-C 3/4" Socket 12 pt AF 1-5/8"

M340156-C 3/4" Socket 12 pt AF 1-3/4"

M340160-C 3/4" Socket 12 pt AF 1-7/8"

M3405196-C 3/4" Socket 6 pt Metric 19 mm

M3405216-C 3/4" Socket 6 pt Metric 21 mm

M3405226-C 3/4" Socket 6 pt Metric 22 mm

M3405246-C 3/4" Socket 6 pt Metric 24 mm

M3405276-C 3/4" Socket 6 pt Metric 27 mm

M3405306-C 3/4" Socket 6 pt Metric 30 mm

M3405326-C 3/4" Socket 6 pt Metric 32 mm

M3405336-C 3/4" Socket 6 pt Metric 33 mm

M3405346-C 3/4" Socket 6 pt Metric 34 mm

M3405366-C 3/4" Socket 6 pt Metric 36 mm

M3405386-C 3/4" Socket 6 pt Metric 38 mm

M3405416-C 3/4" Socket 6 pt Metric 41 mm

M3405466-C 3/4" Socket 6 pt Metric 46 mm

M3405506-C 3/4" Socket 6 pt Metric 50 mm

TTESK63 1/2" Socket Set 12 pt FOAM4X4 63 Pieces

1200-72U 1/2" Ratchet 72 Teeth IP5X

M120010-C 1/2" Flex Handle 265 mm

M120011-C 1/2" Speed Brace

M120020-C 1/2" Extension Bar 63.5 mm

M120020W-C 1/2" Wobble Extension Bar 75 mm

M120021-C 1/2" Extension Bar 125 mm

M120021W-C 1/2" Wobble Extension Bar 150 mm

M120022W-C	1/2" Wobble Extension Bar 255 mm
M120023-C	1/2" Extension Bar 150 mm
M120024-C	1/2" Extension Bar 500 mm
M120030-C	1/2" Universal Joint
M120036-C	Reducing Adaptor 1/2"F - 3/8"M
M120037-C	Step Up Adaptor 1/2"F - 3/4"M
M120040-C	1/2" Spark Plug Socket 16 mm
M120042-C	1/2" Spark Plug Socket 18 mm
M120046-C	1/2" Spark Plug Socket 21 mm
M120050-C	1/2" Sliding T Bar
M120060-C	1/2" Bit Adaptor 5/16" Hex
M120061-C	1/2" Bit Adaptor 10 mm
M120062-C	1/2" Bit Adaptor 12 mm
M120080-C	1/2" Flex Head Adaptor
M120508-C	1/2" Socket 12 pt Metric 8 mm
M120509-C	1/2" Socket 12 pt Metric 9 mm
M120510-C	1/2" Socket 12 pt Metric 10 mm
M120511-C	1/2" Socket 12 pt Metric 11 mm
M120512-C	1/2" Socket 12 pt Metric 12 mm
M120513-C	1/2" Socket 12 pt Metric 13 mm
M120514-C	1/2" Socket 12 pt Metric 14 mm
M120515-C	1/2" Socket 12 pt Metric 15 mm
M120516-C	1/2" Socket 12 pt Metric 16 mm
M120517-C	1/2" Socket 12 pt Metric 17 mm
M120518-C	1/2" Socket 12 pt Metric 18 mm
M120519-C	1/2" Socket 12 pt Metric 19 mm
M120520-C	1/2" Socket 12 pt Metric 20 mm
M120521-C	1/2" Socket 12 pt Metric 21 mm
M120522-C	1/2" Socket 12 pt Metric 22 mm
M120524-C	1/2" Socket 12 pt Metric 24 mm
M120525-C	1/2" Socket 12 pt Metric 25 mm
M120526-C	1/2" Socket 12 pt Metric 26 mm
M120527-C	1/2" Socket 12 pt Metric 27 mm
M120528-C	1/2" Socket 12 pt Metric 28 mm
M120529-C	1/2" Socket 12 pt Metric 29 mm
M120530-C	1/2" Socket 12 pt Metric 30 mm
M120532-C	1/2" Socket 12 pt Metric 32 mm
M120534-C	1/2" Socket 12 pt Metric 34 mm
M120610-C	1/2" Deep Socket 12 pt Metric 10 mm
M120611-C	1/2" Deep Socket 12 pt Metric 11 mm
M120612-C	1/2" Deep Socket 12 pt Metric 12 mm
M120613-C	1/2" Deep Socket 12 pt Metric 13 mm
M120614-C	1/2" Deep Socket 12 pt Metric 14 mm
M120615-C	1/2" Deep Socket 12 pt Metric 15 mm

M120616-C	1/2" Deep Socket 12 pt Metric 16 mm
M120617-C	1/2" Deep Socket 12 pt Metric 17 mm
M120618-C	1/2" Deep Socket 12 pt Metric 18 mm
M120619-C	1/2" Deep Socket 12 pt Metric 19 mm
M120620-C	1/2" Deep Socket 12 pt Metric 20 mm
M120621-C	1/2" Deep Socket 12 pt Metric 21 mm
M120622-C	1/2" Deep Socket 12 pt Metric 22 mm
M120624-C	1/2" Deep Socket 12 pt Metric 24 mm
M120627-C	1/2" Deep Socket 12 pt Metric 27 mm
M120630-C	1/2" Deep Socket 12 pt Metric 30 mm
M120632-C	1/2" Deep Socket 12 pt Metric 32 mm
M120636-C	1/2" Deep Socket 12 pt Metric 36 mm

TTESK86 1/4" & 3/8" Socket Set FOAM4X4 86 Pieces

1400-72U	1/4" Ratchet 72 Teeth IP5X
3800-72U	3/8" Ratchet 72 Teeth IP5X
M140015-C	1/4" Spinner Handle
M140020-C	1/4" Extension Bar 50 mm
M140021-C	1/4" Extension Bar 100 mm
M140022-C	1/4" Extension Bar 150 mm
M140023-C	1/4" Extension Bar 75 mm
M140024-C	1/4" Extension Bar 305 mm
M140030-C	1/4" Universal Joint
M140036-C	Step Up Adaptor 1/4"F - 3/8"M
M140050-C	1/4" Sliding T Bar
M140060-C	1/4" Bit Adaptor Hex Bit Coupler
M140504-C	1/4" Socket 6 pt Metric 4 mm
M1405045-C	1/4" Socket 6 pt Metric 4.5 mm
M140505-C	1/4" Socket 6 pt Metric 5 mm
M1405055-C	1/4" Socket 6 pt Metric 5.5 mm
M140506-C	1/4" Socket 6 pt Metric 6 mm
M140507-C	1/4" Socket 6 pt Metric 7 mm
M140508-C	1/4" Socket 6 pt Metric 8 mm
M140509-C	1/4" Socket 6 pt Metric 9 mm
M140510-C	1/4" Socket 6 pt Metric 10 mm
M140511-C	1/4" Socket 6 pt Metric 11 mm
M140512-C	1/4" Socket 6 pt Metric 12 mm
M140513-C	1/4" Socket 6 pt Metric 13 mm
M140604-C	1/4" Deep Socket 6 pt Metric 4 mm
M140605-C	1/4" Deep Socket 6 pt Metric 5 mm
M1406055-C	1/4" Deep Socket 6 pt Metric 5.5 mm
M140606-C	1/4" Deep Socket 6 pt Metric 6 mm
M140607-C	1/4" Deep Socket 6 pt Metric 7 mm
M140608-C	1/4" Deep Socket 6 pt Metric 8 mm
M140609-C	1/4" Deep Socket 6 pt Metric 9 mm

M140610-C	1/4" Deep Socket 6 pt Metric 10 mm
M140611-C	1/4" Deep Socket 6 pt Metric 11 mm
M140612-C	1/4" Deep Socket 6 pt Metric 12 mm
M140613-C	1/4" Deep Socket 6 pt Metric 13 mm
M380011-C	3/8" Speed Brace
M380015-C	3/8" Spinner Handle
M380020-C	3/8" Extension Bar 75 mm
M380020W-C	3/8" Wobble Extension Bar 75 mm
M380021-C	3/8" Extension Bar 150 mm
M380021W-C	3/8" Wobble Extension Bar 150 mm
M380022-C	3/8" Extension Bar 254 mm
M380022W-C	3/8" Wobble Extension Bar 255 mm
M380023-C	3/8" Extension Bar 125 mm
M380024-C	3/8" Extension Bar 500 mm
M380030-C	3/8" Universal Joint
M380035-C	Reducing Adaptor 3/8"F - 1/4"M
M380036-C	Step Up Adaptor 3/8"F - 1/2"M
M380040-C	3/8" Spark Plug Socket 16 mm
M380042-C	3/8" Spark Plug Socket 18 mm
M380046-C	3/8" Spark Plug Socket 21 mm
M380060-C	3/8" Bit Adaptor Hex bit coupler 1/4" Hex
M380507-C	3/8" Socket 6 pt Metric 7 mm
M380508-C	3/8" Socket 6 pt Metric 8 mm
M380509-C	3/8" Socket 6 pt Metric 9 mm
M380510-C	3/8" Socket 6 pt Metric 10 mm
M380511-C	3/8" Socket 6 pt Metric 11 mm
M380512-C	3/8" Socket 6 pt Metric 12 mm
M380513-C	3/8" Socket 6 pt Metric 13 mm
M380514-C	3/8" Socket 6 pt Metric 14 mm
M380515-C	3/8" Socket 6 pt Metric 15 mm
M380516-C	3/8" Socket 6 pt Metric 16 mm
M380517-C	3/8" Socket 6 pt Metric 17 mm
M380518-C	3/8" Socket 6 pt Metric 18 mm
M380519-C	3/8" Socket 6 pt Metric 19 mm
M380520-C	3/8" Socket 6 pt Metric 20 mm
M380521-C	3/8" Socket 6 pt Metric 21 mm
M380522-C	3/8" Socket 6 pt Metric 22 mm
M380607-C	3/8" Deep Socket 6 pt Metric 7 mm
M380608-C	3/8" Deep Socket 6 pt Metric 8 mm
M380609-C	3/8" Deep Socket 6 pt Metric 9 mm
M380610-C	3/8" Deep Socket 6 pt Metric 10 mm
M380611-C	3/8" Deep Socket 6 pt Metric 11 mm
M380612-C	3/8" Deep Socket 6 pt Metric 12 mm
M380613-C	3/8" Deep Socket 6 pt Metric 13 mm

M380614-C	3/8" Deep Socket 6 pt Metric 14 mm
M380615-C	3/8" Deep Socket 6 pt Metric 15 mm
M380616-C	3/8" Deep Socket 6 pt Metric 16 mm
M380617-C	3/8" Deep Socket 6 pt Metric 17 mm
M380618-C	3/8" Deep Socket 6 pt Metric 18 mm
M380619-C	3/8" Deep Socket 6 pt Metric 19 mm
M380620-C	3/8" Deep Socket 6 pt Metric 20 mm
M380621-C	3/8" Deep Socket 6 pt Metric 21 mm
M380622-C	3/8" Deep Socket 6 pt Metric 22 mm
PT3810R	3/8" Rotating Spinner Handle

TTESP31 Combination Spanner Set FOAM4X4 31 Pieces

6005055	Combination Spanner Metric 5.5 mm
600506	Combination Spanner Metric 6 mm
600507	Combination Spanner Metric 7 mm
600508	Combination Spanner Metric 8 mm
600509	Combination Spanner Metric 9 mm
600510	Combination Spanner Metric 10 mm
600511	Combination Spanner Metric 11 mm
600512	Combination Spanner Metric 12 mm
600513	Combination Spanner Metric 13 mm
600514	Combination Spanner Metric 14 mm
600515	Combination Spanner Metric 15 mm
600516	Combination Spanner Metric 16 mm
600517	Combination Spanner Metric 17 mm
600518	Combination Spanner Metric 18 mm
600519	Combination Spanner Metric 19 mm
600520	Combination Spanner Metric 20 mm
600521	Combination Spanner Metric 21 mm
600522	Combination Spanner Metric 22 mm
600523	Combination Spanner Metric 23 mm
600524	Combination Spanner Metric 24 mm
600525	Combination Spanner Metric 25 mm
600526	Combination Spanner Metric 26 mm
600527	Combination Spanner Metric 27 mm
600528	Combination Spanner Metric 28 mm
600529	Combination Spanner Metric 29 mm
600530	Combination Spanner Metric 30 mm
600532	Combination Spanner Metric 32 mm
600533	Combination Spanner Metric 33 mm
600534	Combination Spanner Metric 34 mm
600536	Combination Spanner Metric 36 mm
600538	Combination Spanner Metric 38 mm

TTESP37 Spanner Set FOAM4X4 37 Pieces

600508R	Ratcheting Combination Spanner Metric R 8 mm
600509R	Ratcheting Combination Spanner Metric R 9 mm
600510R	Ratcheting Combination Spanner Metric R 10 mm
600511R	Ratcheting Combination Spanner Metric R 11 mm
600512R	Ratcheting Combination Spanner Metric R 12 mm
600513R	Ratcheting Combination Spanner Metric R 13 mm
600514R	Ratcheting Combination Spanner Metric R 14 mm
600515R	Ratcheting Combination Spanner Metric R 15 mm
600516R	Ratcheting Combination Spanner Metric R 16 mm
600517R	Ratcheting Combination Spanner Metric R 17 mm
600518R	Ratcheting Combination Spanner Metric R 18 mm
600519R	Ratcheting Combination Spanner Metric R 19 mm
600522R	Ratcheting Combination Spanner Metric R 22 mm
600524R	Ratcheting Combination Spanner Metric R 24 mm
600527R	Ratcheting Combination Spanner Metric R 27 mm
620607	Double Open Ended Spanner Metric 6 × 7 mm
620809	Double Open Ended Spanner Metric 8 × 9 mm
621011	Double Open Ended Spanner Metric 10 × 11 mm
621213	Double Open Ended Spanner Metric 12 × 13 mm
621415	Double Open Ended Spanner Metric 14 × 15 mm
621617	Double Open Ended Spanner Metric 16 × 17 mm
621819	Double Open Ended Spanner Metric 18 × 19 mm
622022	Double Open Ended Spanner Metric 20 × 22 mm
622123	Double Open Ended Spanner Metric 21 × 23 mm
622427	Double Open Ended Spanner Metric 24 × 27 mm
623032	Double Open Ended Spanner Metric 30 × 32 mm
630607	Double Ring Spanner Metric 6 × 7 mm
630809	Double Ring Spanner Metric 8 × 9 mm
631011	Double Ring Spanner Metric 10 × 11 mm
631213	Double Ring Spanner Metric 12 × 13 mm
631415	Double Ring Spanner Metric 14 × 15 mm
631617	Double Ring Spanner Metric 16 × 17 mm
631819	Double Ring Spanner Metric 18 × 19 mm
632022	Double Ring Spanner Metric 20 × 22 mm
632123	Double Ring Spanner Metric 21 × 23 mm
632427	Double Ring Spanner Metric 24 × 27 mm
633032	Double Ring Spanner Metric 30 × 32 mm
TTEVG11	Power Grip Plier Set FOAM4X4 11 Pieces
401-10	Curved Jaw Power Grip Plier 235 mm
401-10F	Flat Jaw Power Grip Plier 250 mm
401-12	Curved Jaw Power Grip Plier 300 mm
401-12F	Flat Jaw Power Grip Plier 300 mm
401-4	Curved Jaw Power Grip Plier 105 mm

- 401-5** Curved Jaw Power Grip Plier 125 mm
- 404-4** Long Nose Power Grip Plier 125 mm
- 404-6** Long Nose Power Grip Plier 170 mm
- 404-9** Long Nose Power Grip Plier 230 mm
- 406P** Swivel C Clamp Power Grip Plier 280 mm
- 409P** Swivel Clamping Power Grip Plier 300 mm

TTEX23N Nut Driver & Hex/TX T-Handle Set FOAM4X4 23 Pieces

- 5105025** T Handle Ball Point Hex Key Metric 2.5 mm
- 510503** T Handle Ball Point Hex Key Metric 3 mm
- 510504** T Handle Ball Point Hex Key Metric 4 mm
- 510505** T Handle Ball Point Hex Key Metric 5 mm
- 510506** T Handle Ball Point Hex Key Metric 6 mm
- 510507** T Handle Ball Point Hex Key Metric 7 mm
- 510508** T Handle Ball Point Hex Key Metric 8 mm
- 520010** T Handle Ball Point TX Key TX10
- 520015** T Handle Ball Point TX Key TX15
- 520020** T Handle Ball Point TX Key TX20
- 520025** T Handle Ball Point TX Key TX25
- 520027** T Handle Ball Point TX Key TX27
- 520030** T Handle Ball Point TX Key TX30
- 520040** T Handle Ball Point TX Key TX40
- MDN505** Nut Driver 5 mm
- MDN5055** Nut Driver 5.5 mm
- MDN506** Nut Driver 6 mm
- MDN507** Nut Driver 7 mm
- MDN508** Nut Driver 8 mm
- MDN510** Nut Driver 10 mm
- MDN511** Nut Driver 11 mm
- MDN512** Nut Driver 12 mm
- MDN513** Nut Driver 13 mm