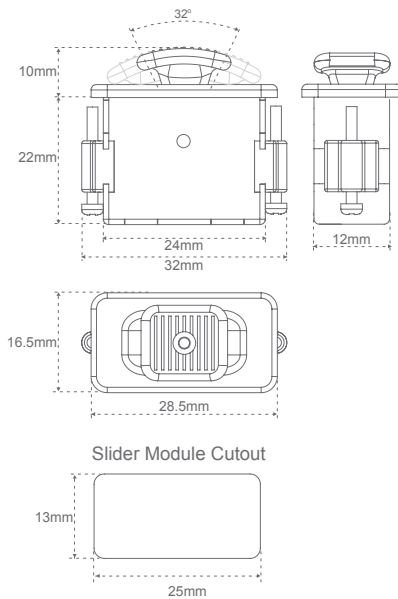


# Slider Module

1949 Keating Cross Road Victoria, B.C. Canada V8M 2A4  
 Phone: (250) 544-2207

Fax: (250) 544-2279  
 Toll Free: 1-800-831-2278  
 www.suregripcontrols.com



Single Axis Proportional and 3 Position Maintained Slider module are installed on "C" Series control handle



## Slider Module Description

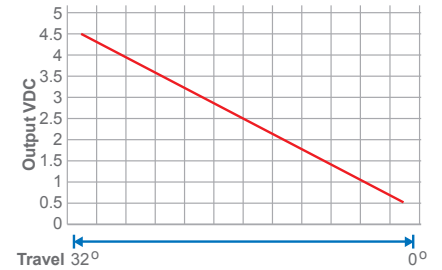
The Slider Module is a Proportional Hall Effect module available in three configurations. These compact proportional modules are designed for applications such as grapples, bucket thumbs, grab and tilt or rotate functions that will benefit from simple speed control.

The three position detented version is suitable for a forward-neutral-reverse transmission control while the friction maintained version could be used as a throttle or machine speed control.

### 1 Single Axis-Friction-Maintained

#### Part #: SM-P1-F

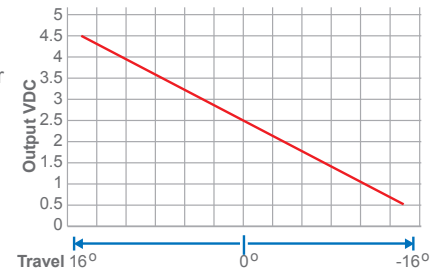
Operation: Friction Maintained  
 Supply: 5 VDC  
 Output: 0.5 - 4.5 VDC (+/-0.2)  
 Load Resistor: 5 K $\Omega$   
 Travel: 0° -32°  
 Rating: IP-66 (above panel)



### 2 Single Axis-Proportional

#### Part #: SM-P1

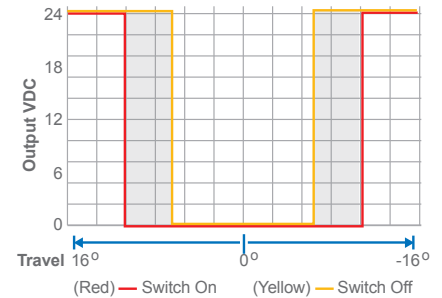
Operation Proportional: Spring return to center  
 Supply: 5VDC  
 Output: 0.5 - 2.5 - 4.5 VDC  
 Load Resistor: 5 K $\Omega$   
 Travel: +/- 16°  
 Rating: IP-66 (above panel)



### 3 3 Position Maintained-Switched

#### Part #: SM-S1-MA SM-S1-MO

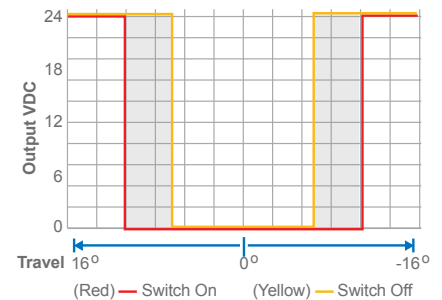
Operation: 3 position detented (on-off-on)  
 3 position (on)-off-(on)  
 Supply: 5 - 30 VDC  
 Output: VDC - 0 - VDC  
 Load Resistor: 5 K $\Omega$   
 Travel: detented @ -16° ; 0° ; 16°  
 Rating: IP-66 (above panel)



### 4 3 Position Maintained-Switched High Current

#### Part #: SM-S1-MA-H SM-S1-MO-H

Operation: 3 position detented (on-off-on)  
 3 position (on)-off-(on)  
 Supply: 10 - 30 VDC  
 Output: VDC - 0 - VDC  
 Source Current: 2.5 A  
 Travel: -16° ; 0° ; 16°  
 Rating: IP-66 (above panel)



### 5 3 Position Maintained-Switched Sinking

#### Part #: SM-S1-MA-S SM-S1-MO-S

Operation: 3 position detented (on-off-on)  
 3 position (on)-off-(on)  
 Supply: 5 - 30 VDC  
 Output: VDC - 0 - VDC  
 Sinking Current: 50 mA  
 Travel: -16° ; 0° ; 16°  
 Rating: IP-66 (above panel)

