

5-100525-6 ✓ ACTIVE

Z-PACK | Z-PACK 2mm HM

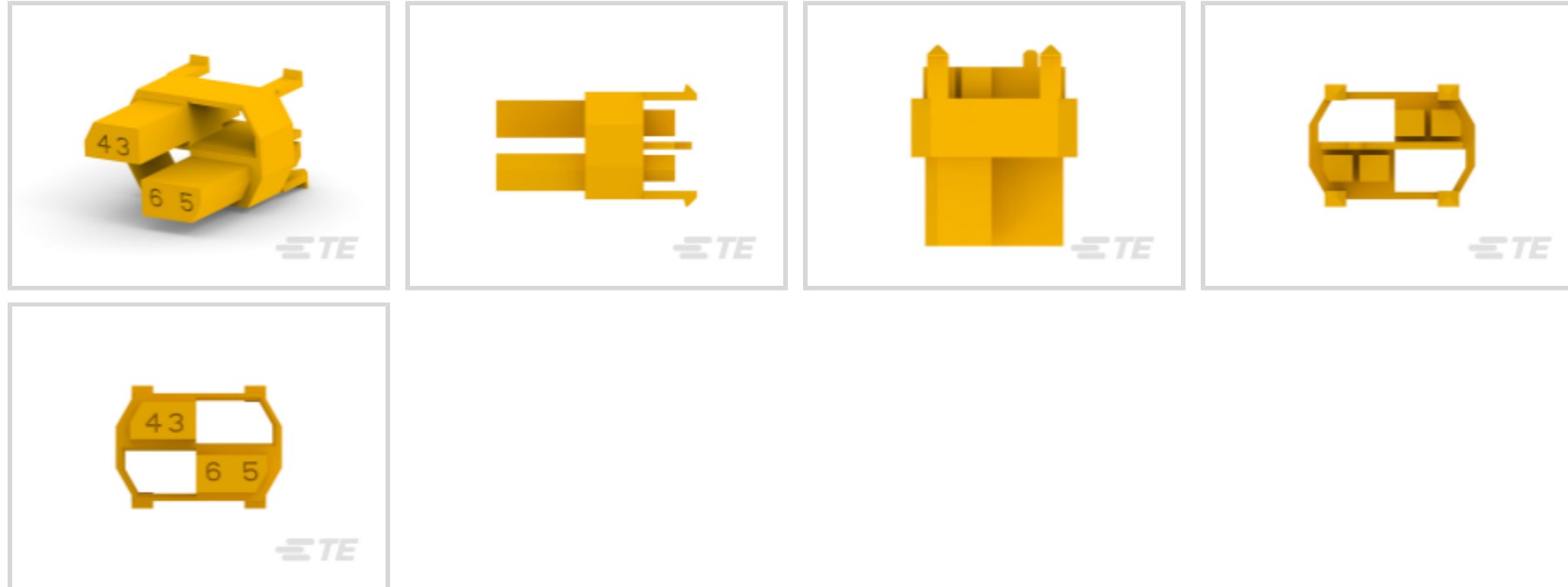
TE Internal #: 5-100525-6

Coding Key, Cadmium Yellow, Z-PACK 2mm HM

[View on TE.com >](#)



Connectors > Connector Accessories > Connector Hardware



Hardware Accessory Function: **Coding & Keying**

Connector Hardware Accessory Type: **Coding Key**

Primary Product Color: **Cadmium Yellow**

## Features

### Product Type Features

Hardware Accessory Function	Coding & Keying
Connector Hardware Accessory Type	Coding Key

### Body Features

Connector & Keying Code	3456
Primary Product Color	Cadmium Yellow

### Usage Conditions

Compatible With Connector Style	Plug
---------------------------------	------

### Packaging Features

Packaging Method	Bag
Packaging Quantity	500

## Product Compliance

[For compliance documentation, visit the product page on TE.com>](#)

EU RoHS Directive 2011/65/EU	Compliant
EU ELV Directive 2000/53/EC	Compliant
China RoHS 2 Directive MIIT Order No 32, 2016	有害物质含量符合标准要求 No Restricted Substance(s) Above Threshold

EU REACH Regulation (EC) No. 1907/2006

Current ECHA Candidate List: JUNE 2025 (250)

Candidate List Declared Against: JUNE 2025 (250)

Does not contain REACH SVHC

Halogen Content

Low Halogen - Br, Cl, F < 900 ppm per homogenous material. Also BFR/CFR/PVC Free

Solder Process Capability

Not applicable for solder process capability

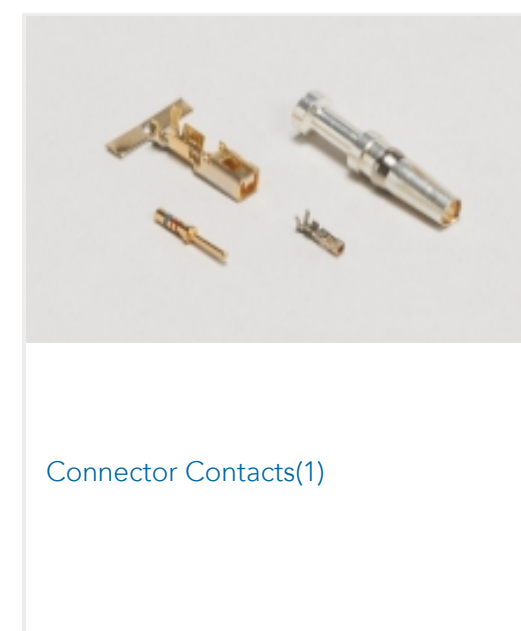
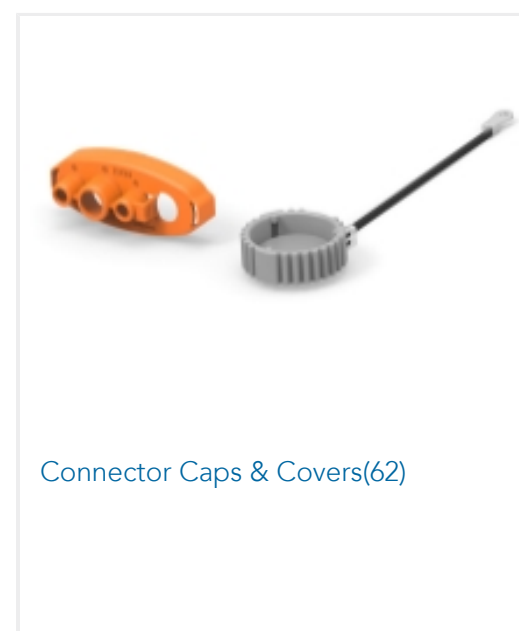
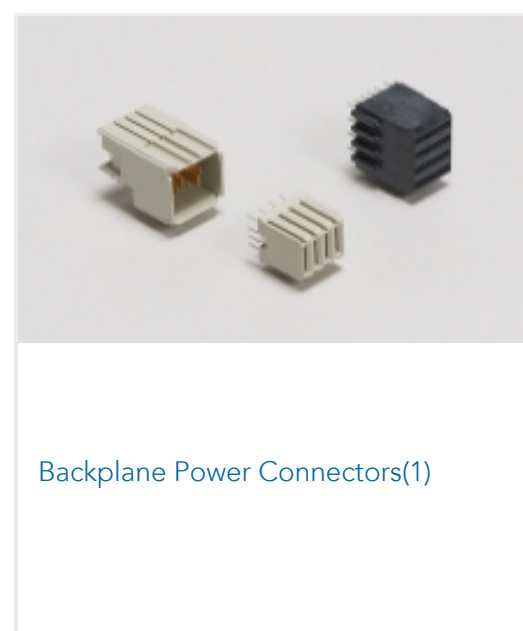
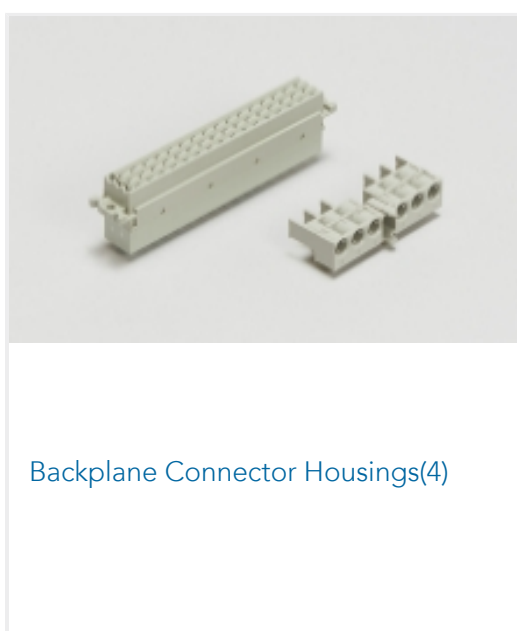
Product Compliance Disclaimer

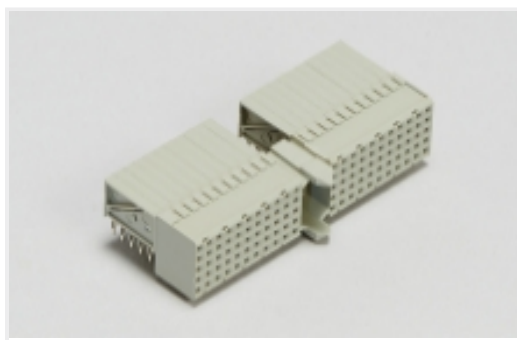
This information is provided based on reasonable inquiry of our suppliers and represents our current actual knowledge based on the information they provided. This information is subject to change. The part numbers that TE has identified as EU RoHS compliant have a maximum concentration of 0.1% by weight in homogenous materials for lead, hexavalent chromium, mercury, PBB, PBDE, DBP, BBP, DEHP, DIBP, and 0.01% for cadmium, or qualify for an exemption to these limits as defined in the Annexes of Directive 2011/65/EU (RoHS2). Finished electrical and electronic equipment products will be CE marked as required by Directive 2011/65/EU. Components may not be CE marked. Additionally, the part numbers that TE has identified as EU ELV compliant have a maximum concentration of 0.1% by weight in homogenous materials for lead, hexavalent chromium, and mercury, and 0.01% for cadmium, or qualify for an exemption to these limits as defined in the Annexes of Directive 2000/53/EC (ELV). Regarding the REACH Regulation, the information TE provides on SVHC in articles for this part number is based on the latest European Chemicals Agency (ECHA) 'Guidance on requirements for substances in articles' posted at this URL: <https://echa.europa.eu/guidance-documents/guidance-on-reach>

## Compatible Parts

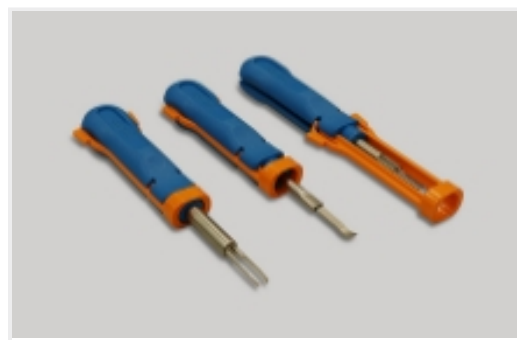


## Also in the Series | Z-PACK 2mm HM

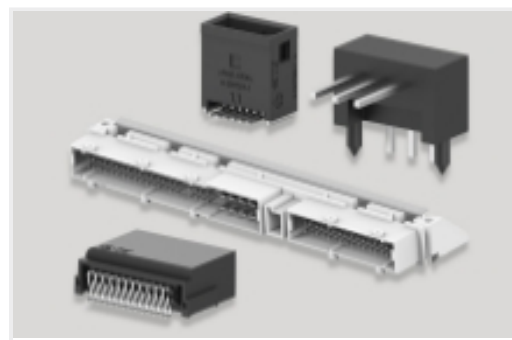




Hard Metric Backplane Connectors  
(264)



Insertion & Extraction Tools(2)



PCB Headers & Receptacles(46)

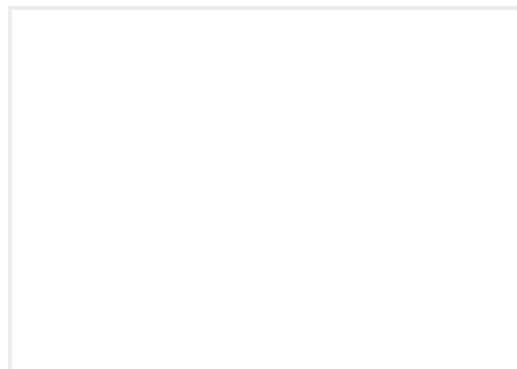


Rectangular Power Connectors(46)

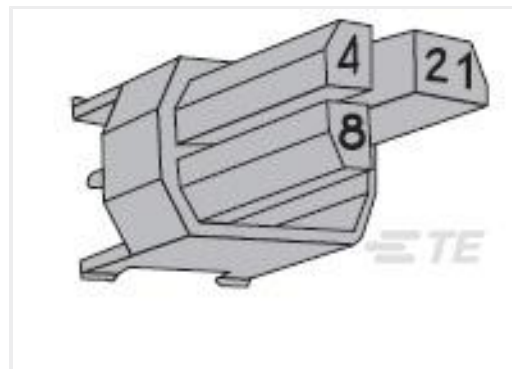
### Customers Also Bought



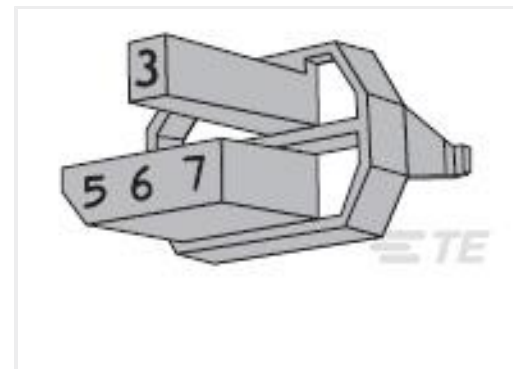
TE Part #815705-SF  
RN116-0.5-02-27M



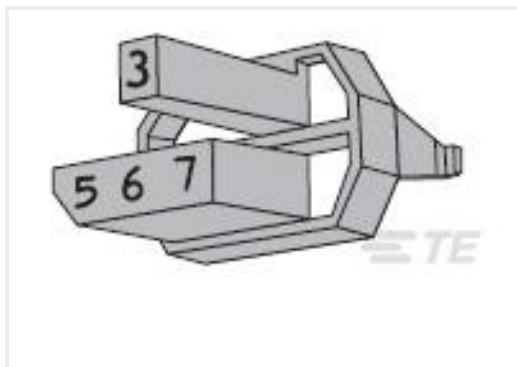
TE Part #24264H10B5PN  
HERM RECP



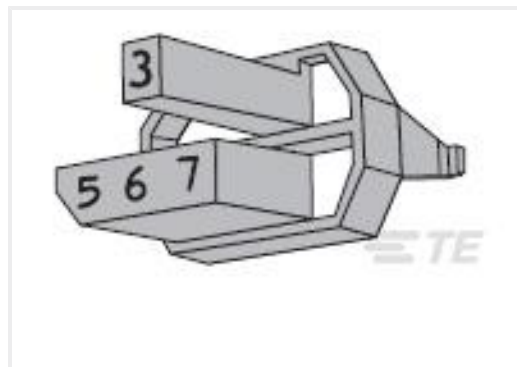
TE Part #5-100525-4  
CODING DEV INSRT COLOR GREEN



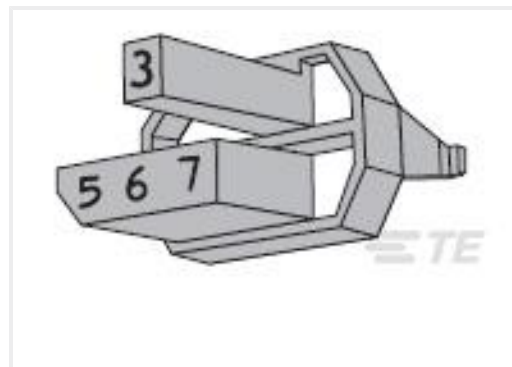
TE Part #100526-9  
Z-PACK F.CODING KEY



TE Part #2-100526-0  
Z-PACK F.CODING KEY



TE Part #3-100526-2  
Z-PACK F.CODING KEY



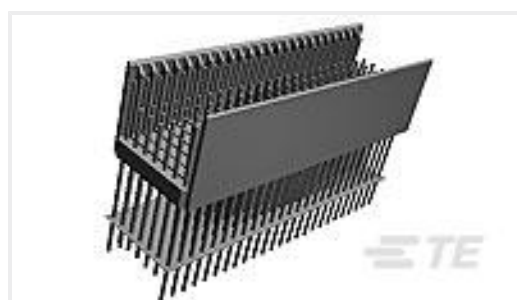
TE Part #5-100526-4  
CODING DEV INSRT COLOR GREEN



TE Part #5-102202-5  
08 MODII HDR SRST SHRD LF



TE Part #2-320561-3  
TERMINAL,PIDG R IR 16 6



TE Part #352033-1  
Z-PACK 2MM HM ASSY,TYPE-B 133P

### Documents

[Product Drawings](#)  
[Z-PACK M.CODING KEY](#)

English

### CAD Files

[3D PDF](#)

[3D](#)

[Customer View Model](#)

[ENG\\_CVM\\_CVM\\_5-100525-6\\_C.2d\\_dxf.zip](#)



English

Customer View Model

[ENG\\_CVM\\_CVM\\_5-100525-6\\_C.3d\\_igs.zip](#)

English

Customer View Model

[ENG\\_CVM\\_CVM\\_5-100525-6\\_C.3d\\_stp.zip](#)

English

By downloading the CAD file I accept and agree to the [Terms and Conditions](#) of use.

**Product Specifications**

[Application Specification](#)

English